

 Contact our sales office regarding a delivery date or a price since this is a special model.

 **P.G.Information** (Specialized product)

SP093X-014E-A
P: NY

Filter regulator with a built-in pressure gauge (with a digital pressure switch)

SMC CORPORATION
4-14-1, SOTO-KANDA, CHIYODA-KU,
TOKYO 101-0021, JAPAN
URL: <http://www.smcworld.com>

AWG20 to 40—*—*—*B*—*X2134***

■ Features:

A filter regulator equipped with a digital pressure switch and a pressure gauge.

The built-in pressure gauge compensates for the disadvantage of the digital pressure switch which cannot check or set the pressure value when it is turned off.

During power off (for maintenance work, etc.), set up and check the pressure with the pressure gauge.

During power on, set up and check the pressure with the digital pressure switch. The switch outputs signals for an abnormal pressure values, etc.



■ Specifications

Proof pressure		MPa (psi)	1.5 (225)
Maximum operating pressure		MPa (psi)	1.0 (150)
Inlet pressure range	Auto drain (N.C.)	MPa (psi)	0.15 to 1.0 (20 to 150)
	Auto drain (N.O.)	MPa (psi)	0.1 to 1.0 (15 to 150)
Set pressure range	Standard	MPa (psi)	0.05 to 0.85 (7 to 125)
	0.2MPa (30psi) setting	MPa (psi)	0.02 to 0.2 (3 to 30)
Fluid		Air	
Ambient and fluid temperature		°C (°F)	-5 to 50 (23 to 122) (With no freezing)
Nominal filtration rating		μm	5

***The flow-rate characteristics and the pressure characteristics are same as the standard model.**

How to Order

AWG20

AWG20-			**			G1 G3 G2 G4	-		-B-X2134		
SYMBOL	THREAD TYPE	SYMBOL	PORT SIZE	SYMBOL	OPTION	SYMBOL	PRESSURE GAUGE MOUNTING ANGLE(°)	SYMBOL	SEMI-STANDARD	SYMBOL	SWITCH SPECIFICATIONS
NIL	RC	01	1/8	NIL	-	G1	0°	NIL	-	A	PNP OUTPUT ELECTRICAL ENTRY:BOTTOM
F	G	02	1/4	B	MOUNTING WITH BRACKET ASSEMBLY	G2	90°	1	SET PRESS. 0.2MPa (30psi) SETTING	B	PNP OUTPUT ELECTRICAL ENTRY:TOP
N	NPT			H	MOUNTING WITH SET NUT	G3	180°	6	BOWL NYLON-BOWL	C	PNP OUTPUT ELECTRICAL ENTRY:BOTTOM
						G4	270°	J	DRAIN PORT DRAIN GUIDE	D	PNP OUTPUT ELECTRICAL ENTRY:TOP
						(*)REFER TO TABLE1.					
NOTE1. WHEN SPECIFYING MORE THAN ONE OPTION, PLEASE LIST NUMERICALLY THEN ALPHABETICALLY. REFER TO THE CATALOG TO CHECK THE AVAILABLE COMBINATIONS OF SPECIFICATIONS.											
NOTE2. PLEASE SPECIFY PRESSURE GAUGE INSTALLATION ANGLE.											

AWG20: For metal bowl

AWG20-			**			G1 G3 G2 G4	-		2 -B-X2134		
SYMBOL	THREAD TYPE	SYMBOL	PORT SIZE	SYMBOL	OPTION	SYMBOL	PRESSURE GAUGE MOUNTING ANGLE(°)	SYMBOL	SEMI-STANDARD	SYMBOL	SWITCH SPECIFICATIONS
NIL	RC	01	1/8	NIL	-	G1	0°	1	SET PRESS. 0.2MPa (30psi) SETTING	A	PNP OUTPUT ELECTRICAL ENTRY:BOTTOM
F	G	02	1/4	B	MOUNTING WITH BRACKET ASSEMBLY	G2	90°	2	BOWL METAL BOWL	B	PNP OUTPUT ELECTRICAL ENTRY:TOP
N	NPT			H	MOUNTING WITH SET NUT	G3	180°	J	DRAIN PORT DRAIN GUIDE	C	PNP OUTPUT ELECTRICAL ENTRY:BOTTOM
						G4	270°	N	EXHAUST MECHANISM NON-RELIEVING	D	PNP OUTPUT ELECTRICAL ENTRY:TOP
						(*)REFER TO TABLE1.					
NOTE1. WHEN SPECIFYING MORE THAN ONE OPTION, PLEASE LIST NUMERICALLY THEN ALPHABETICALLY. REFER TO THE CATALOG TO CHECK THE AVAILABLE COMBINATIONS OF SPECIFICATIONS.											
NOTE2. PLEASE SPECIFY PRESSURE GAUGE INSTALLATION ANGLE.											

AWG30

AWG30-			**			G1 G3 G2 G4	-		-B-X2134		
SYMBOL	THREAD TYPE	SYMBOL	PORT SIZE	SYMBOL	OPTION	SYMBOL	PRESSURE GAUGE MOUNTING ANGLE(°)	SYMBOL	SEMI-STANDARD	SYMBOL	SWITCH SPECIFICATIONS
NIL	RC	02	1/4	NIL	-	G1	0°	NIL	-	A	PNP OUTPUT ELECTRICAL ENTRY:BOTTOM
F	G	03	3/8	B	MOUNTING WITH BRACKET ASSEMBLY	G2	90°	1	SET PRESS. 0.2MPa (30psi) SETTING	B	PNP OUTPUT ELECTRICAL ENTRY:TOP
N	NPT			H	MOUNTING WITH SET NUT	G3	180°	J	DRAIN PORT DRAIN GUIDE	C	PNP OUTPUT ELECTRICAL ENTRY:BOTTOM
						G4	270°	W	DRAIN PORT DRAIN COCK WITH BARB FITTING	D	PNP OUTPUT ELECTRICAL ENTRY:TOP
						(*)REFER TO TABLE1.					
NOTE1. WHEN SPECIFYING MORE THAN ONE OPTION, PLEASE LIST NUMERICALLY THEN ALPHABETICALLY. REFER TO THE CATALOG TO CHECK THE AVAILABLE COMBINATIONS OF SPECIFICATIONS.											
NOTE2. PLEASE SPECIFY PRESSURE GAUGE INSTALLATION ANGLE.											

AWG30: With auto drain

AWG30-			**		C D	G1 G3 G2 G4	-		-B-X2134		
SYMBOL	THREAD TYPE	SYMBOL	PORT SIZE	SYMBOL	OPTION	SYMBOL	PRESSURE GAUGE MOUNTING ANGLE(°)	SYMBOL	SEMI-STANDARD	SYMBOL	SWITCH SPECIFICATIONS
NIL	RC	02	1/4	B	MOUNTING WITH BRACKET ASSEMBLY	G1	0°	NIL	-	A	PNP OUTPUT ELECTRICAL ENTRY:BOTTOM
F	G	03	3/8	H	MOUNTING WITH SET NUT	G2	90°	1	SET PRESS. 0.2MPa (30psi) SETTING	B	PNP OUTPUT ELECTRICAL ENTRY:TOP
N	NPT			C	AUTO DRAIN FLOAT TYPE AUTO DRAINING	G3	180°	6	BOWL NYLON-BOWL	C	PNP OUTPUT ELECTRICAL ENTRY:BOTTOM
				D	AUTO DRAIN FLOAT TYPE AUTO DRAINING	G4	270°	N	EXHAUST MECHANISM NON-RELIEVING	D	PNP OUTPUT ELECTRICAL ENTRY:TOP
						(*)REFER TO TABLE1.					
NOTE1. WHEN SPECIFYING MORE THAN ONE OPTION, PLEASE LIST NUMERICALLY THEN ALPHABETICALLY. REFER TO THE CATALOG TO CHECK THE AVAILABLE COMBINATIONS OF SPECIFICATIONS.											
NOTE2. PLEASE SPECIFY PRESSURE GAUGE INSTALLATION ANGLE.											

AWG40

AWG40-		**				G1 G3 G2 G4		-	-B-X2134			
SYMBOL	THREAD TYPE	SYMBOL	PORT SIZE	SYMBOL	OPTION	SYMBOL	PRESSURE GAUGE MOUNTING ANGLE(*)	SYMBOL	SEMI-STANDARD	SYMBOL	SWITCH SPECIFICATIONS	
NIL	Rc	02	1/4	NIL	-	G1	0°	1	SET PRESS. (0.2MPa (30psi) SETTING)	A	NPN OUTPUT ELECTRICAL ENTRY:BOTTOM	
F	G	03	3/8	B	MOUNTING WITH BRACKET ASSEMBLY	G2	90°	6	BOWL NYLON-BOWL	B	NPN OUTPUT ELECTRICAL ENTRY:TOP	
N	NPT	04	1/2	H	MOUNTING WITH SET NUT	G3	180°	J	DRAIN PORT DRAIN GUIDE	C	PNP OUTPUT ELECTRICAL ENTRY:BOTTOM	
						G4	270°	W	DRAIN PORT DRAIN COCK WITH BARB FITTING	D	PNP OUTPUT ELECTRICAL ENTRY:TOP	
								N	EXHAUST MECHANISM NON-RELIEVING			
								Z	UNIT NAME PLATE: psi CAUTION PLATE FOR BOWL: psi * F DIGITAL PRESSURE SWITCH WITH UNIT SELECTION FUNCTION (INITIAL VALUE: psi)			

(*)REFER TO TABLE1.

NOTE1. WHEN SPECIFYING MORE THAN ONE OPTION, PLEASE LIST NUMERICALLY THEN ALPHABETICALLY. REFER TO THE CATALOG TO CHECK THE AVAILABLE COMBINATIONS OF SPECIFICATIONS.
NOTE2. PLEASE SPECIFY PRESSURE GAUGE INSTALLATION ANGLE.

AWG40: With auto drain

AWG40-		**		C D		G1 G3 G2 G4		-	-B-X2134			
SYMBOL	THREAD TYPE	SYMBOL	PORT SIZE	SYMBOL	OPTION	SYMBOL	PRESSURE GAUGE MOUNTING ANGLE(*)	SYMBOL	SEMI-STANDARD	SYMBOL	SWITCH SPECIFICATIONS	
NIL	Rc	02	1/4	B	MOUNTING WITH BRACKET ASSEMBLY	G1	0°	1	SET PRESS. (0.2MPa (30psi) SETTING)	A	NPN OUTPUT ELECTRICAL ENTRY:BOTTOM	
F	G	03	3/8	H	MOUNTING WITH SET NUT	G2	90°	6	BOWL NYLON-BOWL	B	NPN OUTPUT ELECTRICAL ENTRY:TOP	
N	NPT	04	1/2	C	AUTO DRAIN (FLOAT TYPE AUTO DRAINING)	G3	180°	N	EXHAUST MECHANISM NON-RELIEVING	C	PNP OUTPUT ELECTRICAL ENTRY:BOTTOM	
				D	AUTO DRAIN (FLOAT TYPE AUTO DRAINING)	G4	270°	Z	UNIT NAME PLATE: psi CAUTION PLATE FOR BOWL: psi * F DIGITAL PRESSURE SWITCH WITH UNIT SELECTION FUNCTION (INITIAL VALUE: psi)	D	PNP OUTPUT ELECTRICAL ENTRY:TOP	

(*)REFER TO TABLE1.

NOTE1. WHEN SPECIFYING MORE THAN ONE OPTION, PLEASE LIST NUMERICALLY THEN ALPHABETICALLY. REFER TO THE CATALOG TO CHECK THE AVAILABLE COMBINATIONS OF SPECIFICATIONS.
NOTE2. PLEASE SPECIFY PRESSURE GAUGE INSTALLATION ANGLE.

■ Dimensions: mm

AWG20

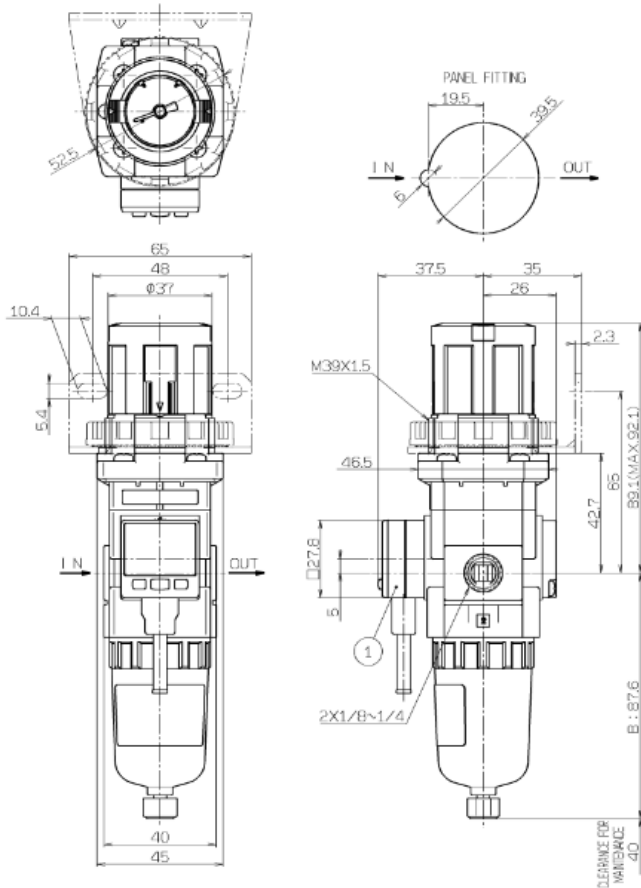


TABLE1. DRAWING OF PRESSURE GAUGE MOUNTING DIRECTION

OPTION	G1	G2	G3	G4
MOUNTING ANGLE	0°	90°	180°	270°
DRAWING OF MOUNTING DIRECTION				
			NAME PLATE POSITION	NAME PLATE POSITION

TABLE2. DIGITAL PRESSURE SWITCH

SWITCH SPECIFICATIONS	A	B	C	D
SEMI-STANDARD SYMBOL	OTHER THAN Z	ISE35-N-25-MLA	ISE35-R-25-MLA	ISE35-N-65-MLA
	WITH Z	ISE35-N-25-PLA	ISE35-R-25-PLA	ISE35-N-65-PLA

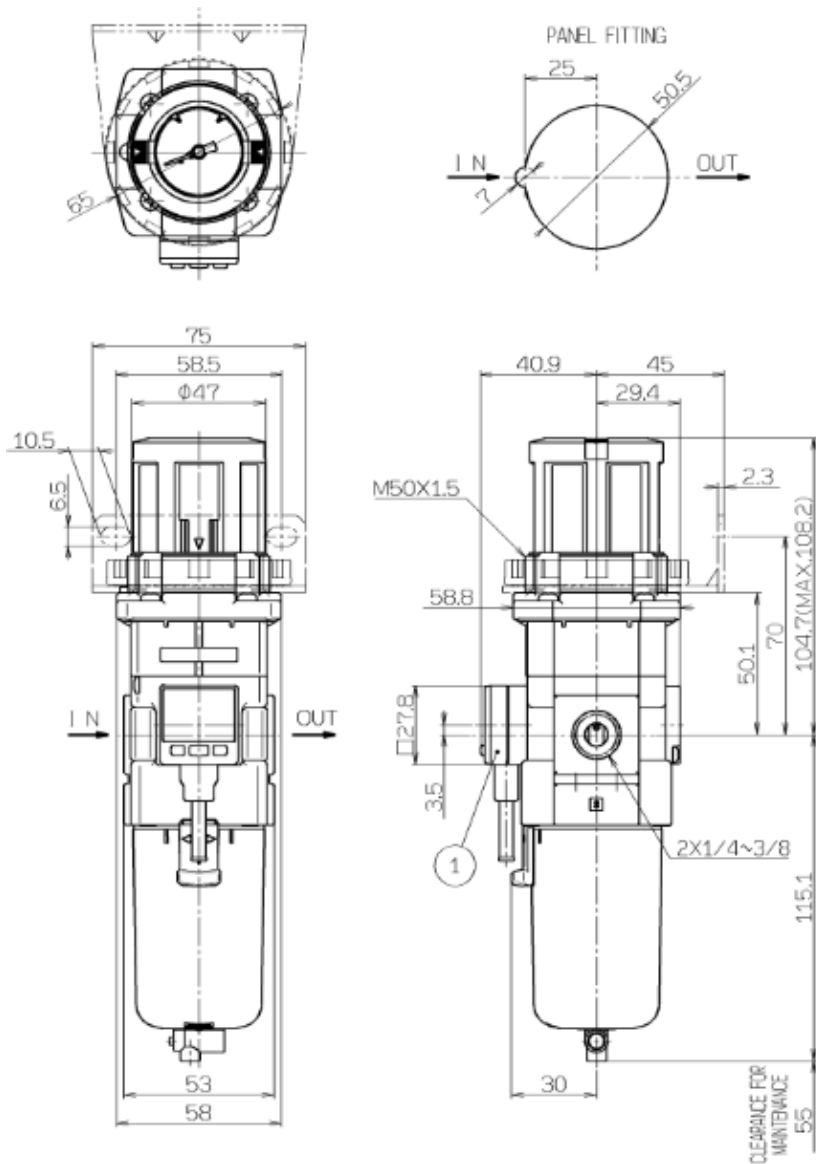
TABLE3. ELECTRICAL ENTRY

SWITCH SPECIFICATIONS	A.C	B.D
SIMPLIFIED FRONT VIEW		

SEMI-STANDARD BOWL ASSEMBLY SPECIFICATIONS

SEMI-STANDARD SYMBOL	J	2J
EXTERNAL APPEARANCE DRAWING		
	B: 91.4	B: 93.9
	WIDTH ACROSS FLATS 14	WIDTH ACROSS FLATS 14

AWG30



SEMI-STANDARD BOWL ASSEMBLY SPECIFICATIONS

SEMI-STANDARD SYMBOL	J	W
EXTERNAL APPEARANCE DRAWING		

TABLE1. DRAWING OF PRESSURE GAUGE MOUNTING DIRECTION

OPTION	G1	G2	G3	G4
MOUNTING ANGLE	0°	90°	180°	270°
DRAWING OF MOUNTING DIRECTION				

TABLE3. ELECTRICAL ENTRY

SWITCH SPECIFICATIONS	A.C	B.D
SIMPLIFIED FRONT VIEW		

TABLE2. DIGITAL PRESSURE SWITCH

SWITCH SPECIFICATIONS		A	B	C	D
SEMI-STANDARD SYMBOL	OTHER THAN Z	ISE35-N-25-MLA	ISE35-R-25-MLA	ISE35-N-65-MLA	ISE35-R-65-MLA
	WITH Z	ISE35-N-25-PLA	ISE35-R-25-PLA	ISE35-N-65-PLA	ISE35-R-65-PLA

AWG30: With auto drain

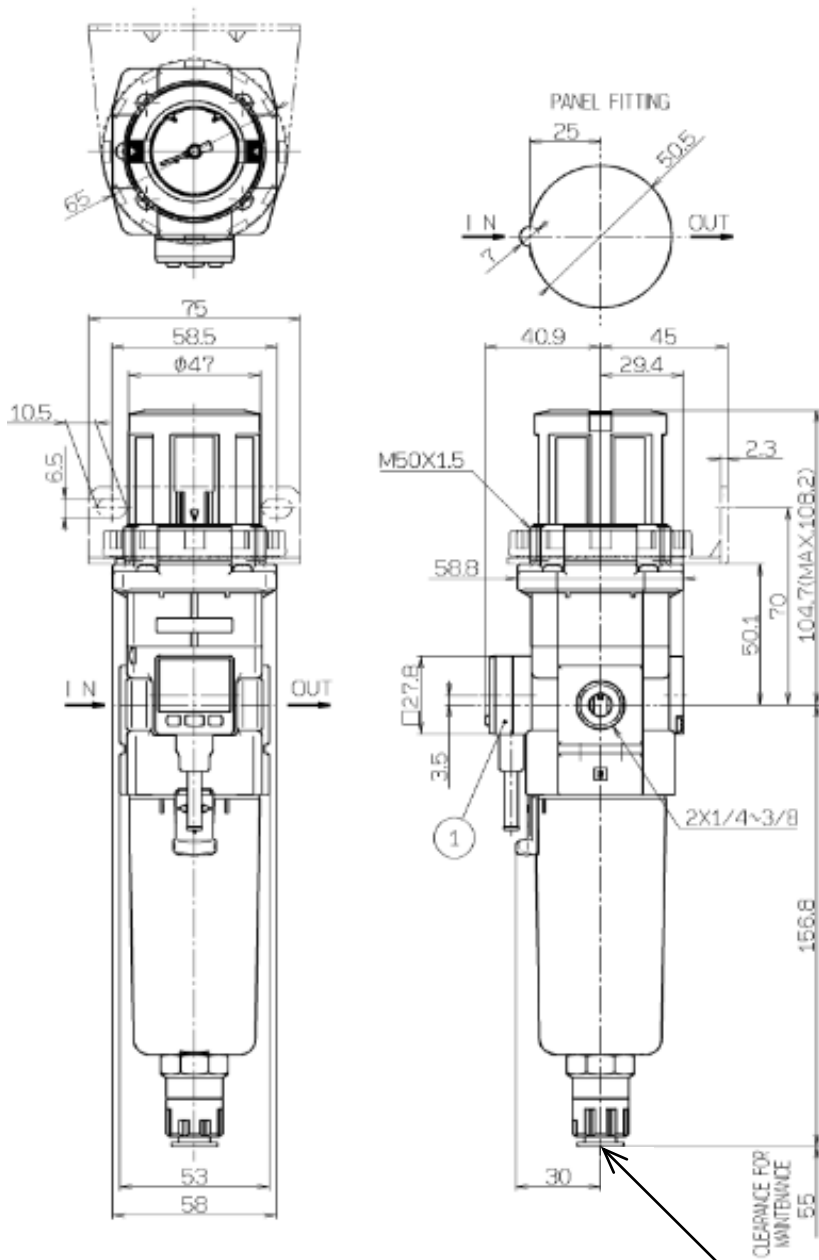


TABLE1. DRAWING OF PRESSURE GAUGE MOUNTING DIRECTION

OPTION	G1	G2	G3	G4
MOUNTING ANGLE	0°	90°	180°	270°
DRAWING OF MOUNTING DIRECTION				
	NAME PLATE POSITION		NAME PLATE POSITION	

ONE TOUCH FITTING

THREAD TYPE	APPLICABLE TUBE EXTERNAL
Rc , G	Φ10
NPT	Φ3/8"

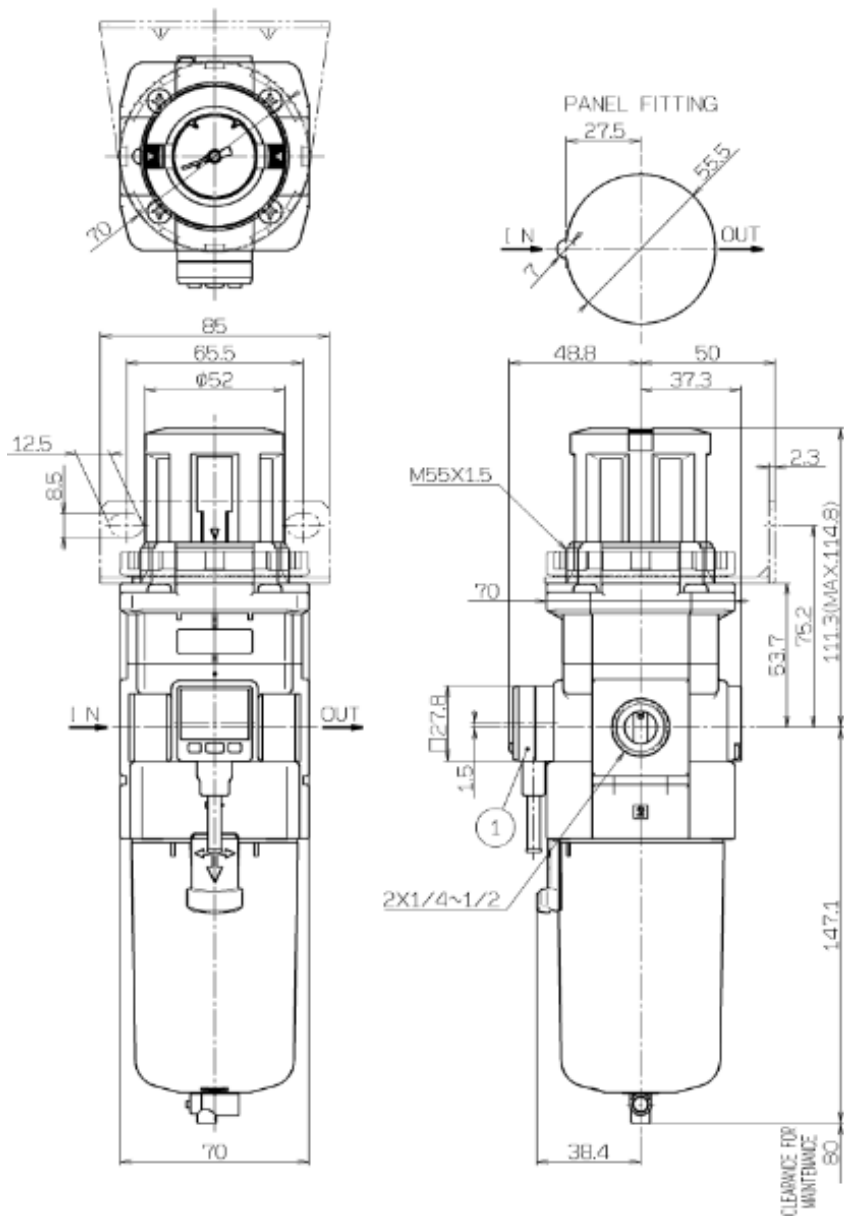
TABLE2. DIGITAL PRESSURE SWITCH

SWITCH SPECIFICATIONS		A	B	C	D
SEMI-STANDARD SYMBOL	OTHER THAN Z	ISE35-N-25-MLA	ISE35-R-25-MLA	ISE35-N-65-MLA	ISE35-R-65-MLA
	WITH Z	ISE35-N-25-PLA	ISE35-R-25-PLA	ISE35-N-65-PLA	ISE35-R-65-PLA

TABLE3. ELECTRICAL ENTRY

SWITCH SPECIFICATIONS	A.C	B.D
SIMPLIFIED FRONT VIEW		

AWG40



SEMI-STANDARD BOWL ASSEMBLY SPECIFICATIONS

SEMI-STANDARD SYMBOL	J	W
EXTERNAL APPEARANCE DRAWING		

TABLE1. DRAWING OF PRESSURE GAUGE MOUNTING DIRECTION

OPTION	G1	G2	G3	G4
MOUNTING ANGLE	0°	90°	180°	270°
DRAWING OF MOUNTING DIRECTION				

TABLE3. ELECTRICAL ENTRY

SWITCH SPECIFICATIONS	A.C	B.D
SIMPLIFIED FRONT VIEW		

TABLE2. DIGITAL PRESSURE SWITCH

SWITCH SPECIFICATIONS		A	B	C	D
SEMI-STANDARD SYMBOL	OTHER THAN Z	ISE35-N-25-MLA	ISE35-R-25-MLA	ISE35-N-65-MLA	ISE35-R-65-MLA
	WITH Z	ISE35-N-25-PLA	ISE35-R-25-PLA	ISE35-N-65-PLA	ISE35-R-65-PLA

AWG40: With auto drain

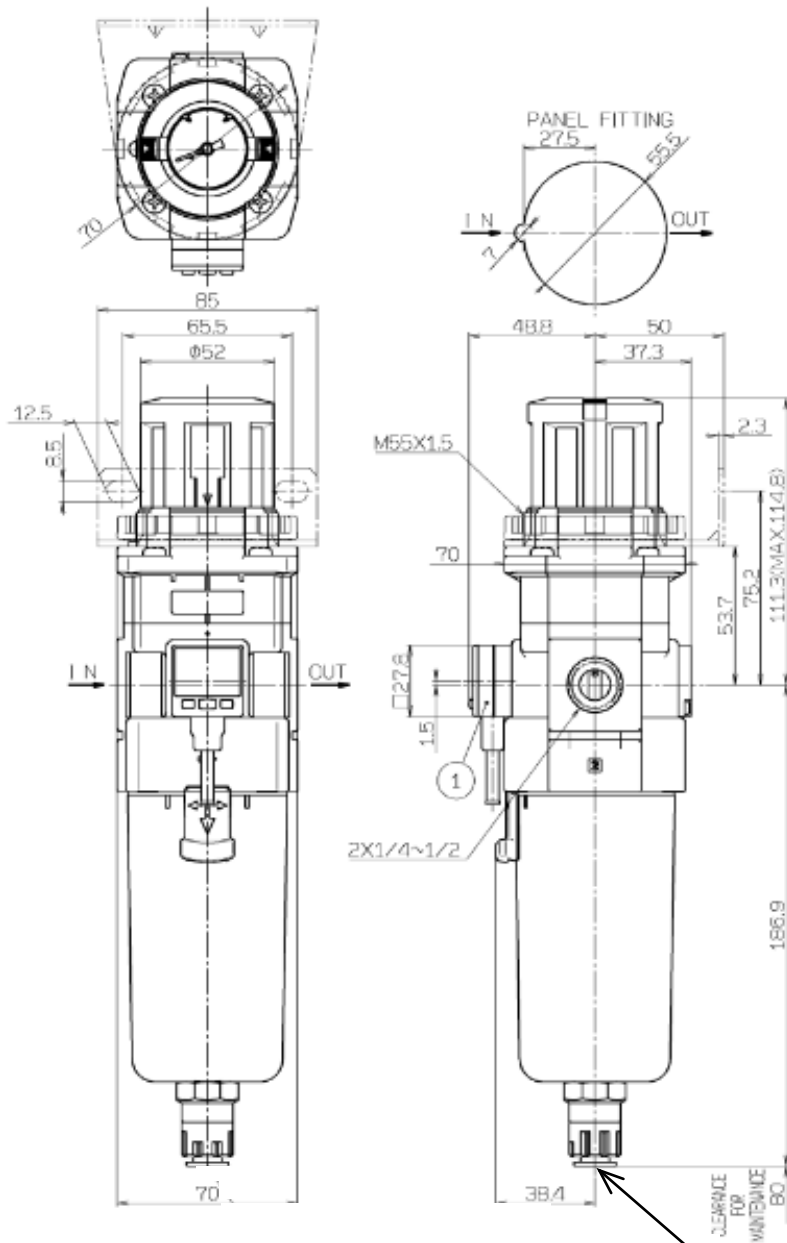


TABLE1. DRAWING OF PRESSURE GAUGE MOUNTING DIRECTION

OPTION	G1	G2	G3	G4
MOUNTING ANGLE	0°	90°	180°	270°
DRAWING OF MOUNTING DIRECTION	NAME PLATE POSITION		NAME PLATE POSITION	NAME PLATE POSITION

ONE TOUCH FITTING

THREAD TYPE	APPLICABLE TUBE EXTERNAL
RC , G	Φ10
NPT	Φ3/8"

TABLE3. ELECTRICAL ENTRY

SWITCH SPECIFICATIONS	A.C	B.D
SIMPLIFIED FRONT VIEW		

TABLE2. DIGITAL PRESSURE SWITCH

SWITCH SPECIFICATIONS		A	B	C	D
SEMI-STANDARD SYMBOL	OTHER THAN Z	ISE35-N-25-MLA	ISE35-R-25-MLA	ISE35-N-65-MLA	ISE35-R-65-MLA
	WITH Z	ISE35-N-25-PLA	ISE35-R-25-PLA	ISE35-N-65-PLA	ISE35-R-65-PLA

⚠ Caution: Be sure to read and understand the Safety Instructions in our Best Pneumatics for safe use of the product before using.