



Contact our sales office regarding a delivery date or a price since this is a special model.

SP146X-018E
P: RY

SMC *P.G. Information (Specialized Product)*

Externally Mounted Small Refrigerated Air Dryer Auto Drain IDF1E/2E/3E-10-X459

SMC Corporation
4-14-1, SOTO-KANDA,
CHIYODA-KU,
TOKYO 101-0021, JAPAN
URL: <http://www.smcworld.com>

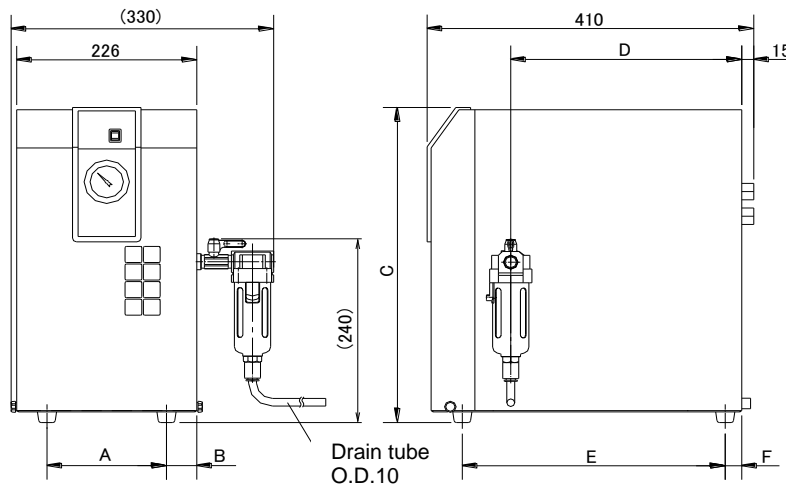
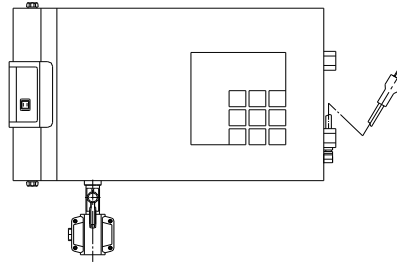
■ Features

Auto drain externally attached for easy maintenance!

Auto drain is mounted to a panel internally for the standard product but is mounted externally to improve ease of maintenance. This is applicable only to the IDF1 to IDF3E

■ How to Order, Specifications

Model	Power	Specifications
IDF1E-10-X459 IDF2E-10-X459 IDF3E-10-X459	AC100V	Auto drain is externally mounted to a panel



	A	B	C	D	E	F
IDF1E	150±2	38	413	(290)	330±2	21
IDF2E	150±2	38	413	(280)	327±2	24
IDF3E	154±2	36	473	(310)	330±2	21



Caution To ensure the safest possible operation of this product, please be sure to thoroughly read the "Safety Instructions" in our "Best Pneumatics" catalog before use.