



SMC CORPORATION

1-16-4 Shimbashi, Minato-ku
Tokyo 105-0004, JAPAN

URL: <http://www.smcworld.com>

Antistatic polyurethane tubing

(Tube O.D. [mm] × Tube I.D. [mm]: Ø2.0 × Ø1.3 / Ø1.6 × Ø1.0)

IN-241-3092/3093

Barb fittings / Barb elbows

(Applicable Tube O.D. [mm] × Applicable Tube I.D. [mm]: Ø2.0 × Ø1.3 / Ø1.6 × Ø1.0)

IN-233-1*** / IN-233-11**

Application: Used for driving small actuators.

Antistatic polyurethane tubing

Feature 1: Space saving (Tube O.D. [mm] × Tube I.D. [mm])

- IN-241-3092 (Ø2.0 × Ø1.3) - IN-241-3093 (Ø1.6 × Ø1.0)

Feature 2 : Tube surface resistance is 10⁴ to 10⁷ Ω

- Helps prevent electric discharges (sparks) caused by static electricity.

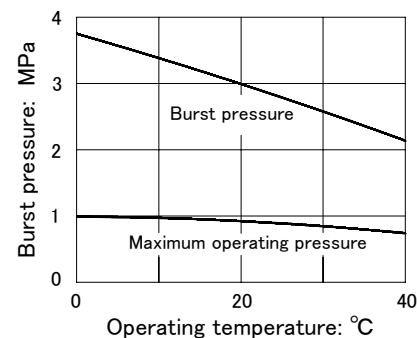
Barb fittings / Barb elbows

Feature 1: Barb fittings and barb elbows are fully compatible with the antistatic polyurethane tubing introduced above.

Specifications

- Antistatic polyurethane tubing

Model	IN-241-3092	IN-241-3093
Tube O.D. [mm] × Tube I.D. [mm]	2.0 × 1.3	1.6 × 1.0
Fluid	Air	
Maximum operating pressure (at 20°C)	0.9MPa (*1)	
Ambient and fluid temperature	0 to 40°C (No freezing)	
Material	Conductive polyurethane	
Minimum bending radius (*2)	6mm	4mm
Surface resistance	10 ⁴ to 10 ⁷ Ω	
Color	Black	
Tube length	10m roll	



Burst Pressure and Operating Pressure Characteristics Graph

- Barb fittings / Barb elbows

Model	Barb fittings	M3	IN-233-1064	IN-233-1065
		M5	IN-233-1125	IN-233-1126
	Barb elbows	M3	IN-233-1128	IN-233-1129
		M5	IN-233-1131	IN-233-1132
Applicable tube size: O.D. [mm] × I.D. [mm]		2.0 × 1.3	1.6 × 1.0	
Fluid		Air		
Maximum operating pressure		1MPa (*3)		
Ambient and fluid temperature		-5 to 60°C (No freezing)		
Material		SUS303		

Note 1) Please refer to the Burst Pressure and Operating Pressure Characteristics Graph above right.

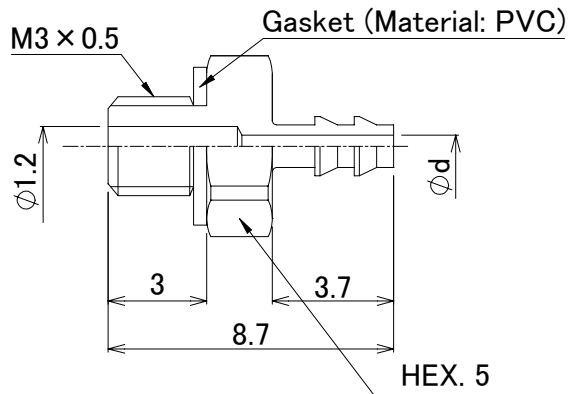
Note 2) Minimum bending radius at 20°C.

Note 3) This value shows the maximum operating pressure for fittings in the indicated temperature range: from -5 to 60°C. When connecting polyurethane tubing, the maximum operating pressure and temperature values for tubing should be observed. Refer to the Burst Pressure Characteristics Curve in the graph above for use at temperatures other than those indicated.

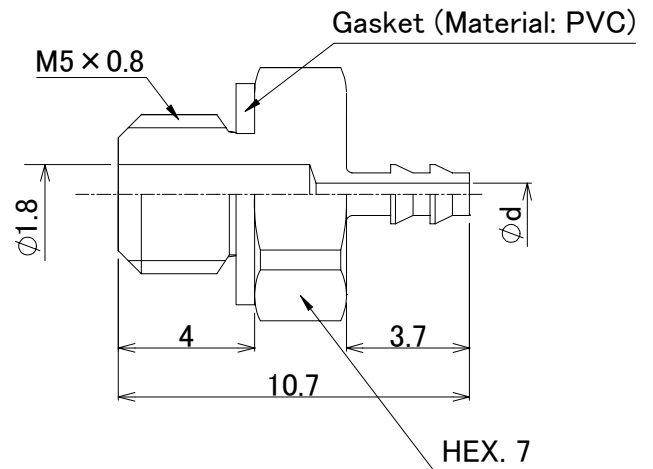
Also avoid extreme rises in temperature caused by adiabatic compression.

Dimensions (Barb fittings): mm

IN-233-1064 / IN-233-1065



IN-233-1125 / IN-233-1126



Dimensions: mm

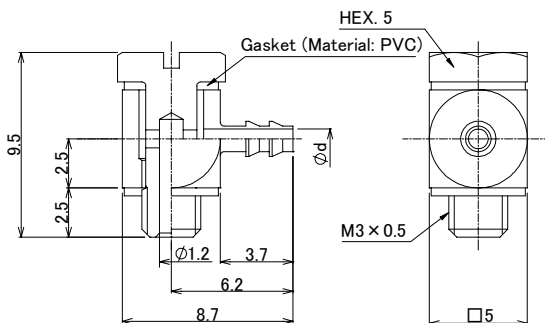
Model No.	IN-233-1064	IN-233-1065
I.D. [mm]	1	0.7

Dimensions: mm

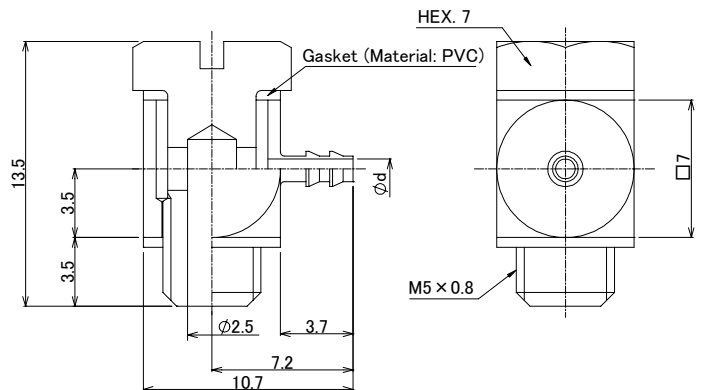
Model	IN-233-1125	IN-233-1126
I.D. [mm]	1	0.7

Dimensions (Barb elbows): mm

IN-233-1128 / IN-233-1129



IN-233-1131 / IN-233-1132



Dimensions: mm

Model	IN-233-1128	IN-233-1129
I.D. [mm]	1	0.7

Dimensions: mm

Model	IN-233-1131	IN-233-1132
I.D. [mm]	1	0.7

Additional Products : Antistatic polyurethane tubing (Tube O.D. [mm] × Tube I.D. [mm]): $\varnothing 1.3 \times \varnothing 0.8$ and Barb fittings, Barb elbows can be supplied with special order products. Please contact your SMC sales representative for details.



Caution

To ensure the safest possible operation of this product, please be sure to read thoroughly the "Safety Instructions" in our "Best Pneumatics" general catalog before use.