

## Flame-Resistant Ø4mm One-Touch Fittings & Tubing (Equivalent to V-0 in UL-94 Standard)

### FR Soft Nylon Tubing TRS0425\*-100

### FR One-Touch Fittings

IN-289-643 (Male Elbow: Ø4 × R1/8)

IN-289-1106 (Male Connector: Ø4 × M5)

IN-289-1107 (Male Elbow: Ø4 × M5)

#### SMC CORPORATION

 1-16-4 Shimbashi, Minato-ku  
Tokyo 105-0004, JAPAN

 URL: <http://www.smcworld.com>

Application: Ideal for semiconductor manufacturing that requires flame-resistant materials.

Feature 1: Use of flame-resistant material (equivalent to V-0 in UL-94 standard) for fittings and tubing.

## Specifications

### FR soft nylon tubing

|                                      |   |
|--------------------------------------|---|
| Model no.                            | TRS0425*-100                                      |
| Fluid                                | Air, Water  |
| Maximum operating pressure (at 20°C) | 1.2MPa (*1)                                       |
| Burst pressure                       | Refer to burst pressure characteristic graph      |
| Minimum bending radius               | 14mm  |
| Operating temperature                | -20 to +60°C, For water: 0 to +60°C (No freezing) |
| Material                             | Flame resistance nylon (UL-94 standard V-0)       |
| Tube O.D. × Tube I.D.                | Ø4mm × Ø2.5mm                                     |

### FR One-touch fitting

| Model no.                     | IN-289-643                                     | IN-289-1106                                   | IN-289-1107           |
|-------------------------------|--|---|-----------------------|
| Description                   | Male elbow<br>Ø4 × R1/8                        | Male connector<br>Ø4 × M5                     | Male elbow<br>Ø4 × M5 |
| Applicable tubing             | FR soft nylon tubing (model no.: TRS0425*-100) |   |                       |
| Fluid                         | Air, Water (*1)                                |   |                       |
| Maximum operating pressure    | 1.0MPa   |   |                       |
| Proof pressure                | 3.0MPa   |   |                       |
| Ambient and fluid temperature | -5 to 60°C, For water 0 to 40°C (No freezing)  |   |                       |
| Thread                        | Thread portion                                 | JIS B 0203 (Taper pipe thread)                |                       |
|                               | Nut  | JIS B 0211 class 2 (Metric fine pitch thread) |                       |
| Sealant (Thread portion)      | With sealant (Standard)                        |   |                       |

\*1) For use with general industrial water. Please consult your SMC sales representative for using other fluids.

Surge pressure must be within the maximum operating pressure.

# How to Order

FR soft nylon tubing

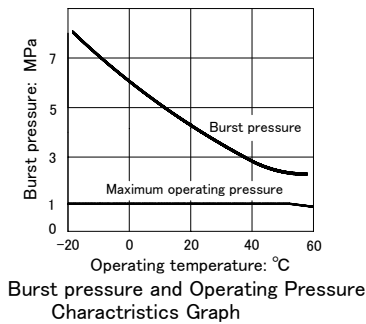
TRS0425 **B** -100

O.D. (Ø4mm) × I.D. (Ø2.5mm) ——— 100m roll

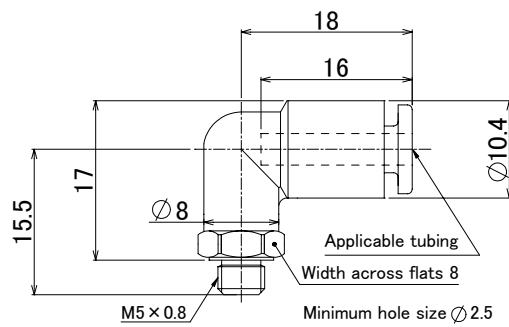
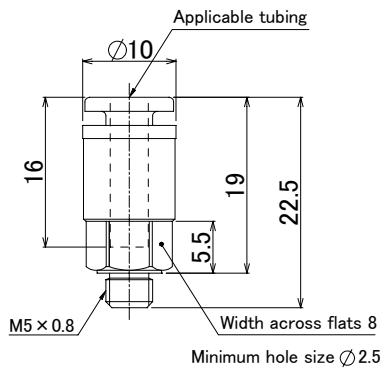
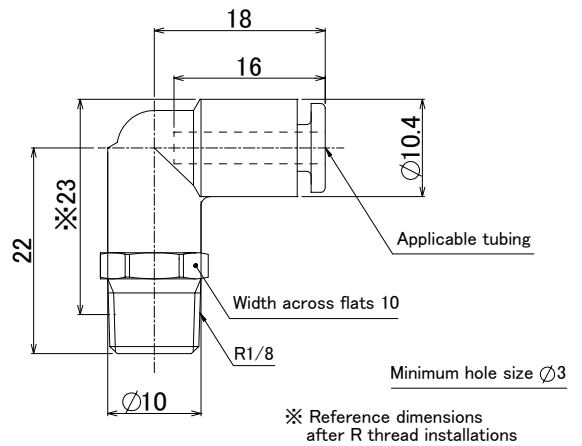
Color indication

|    |       |
|----|-------|
| B  | Black |
| W  | White |
| R  | Red   |
| BU | Blue  |
| G  | Green |

## Dimensions: mm



Model: TRS0425\*-100



Note 1: For detailed information on materials of construction, contact your sales representative.

### Caution

To ensure the safest possible operation of this product, please be sure to read thoroughly the "Safety Instructions" in our "Best Pneumatics" general catalog before use.