

Fluororesin Coil Tubing

Material Super PFA:
O.D. $\varnothing 6\text{mm}$ x I.D. $\varnothing 4\text{mm}$, One core

IN-241-3131

SMC CORPORATION
1-16-4 Shimbashi, Minato-ku
Tokyo 105-0004, JAPAN
URL: <http://www.smcworld.com>

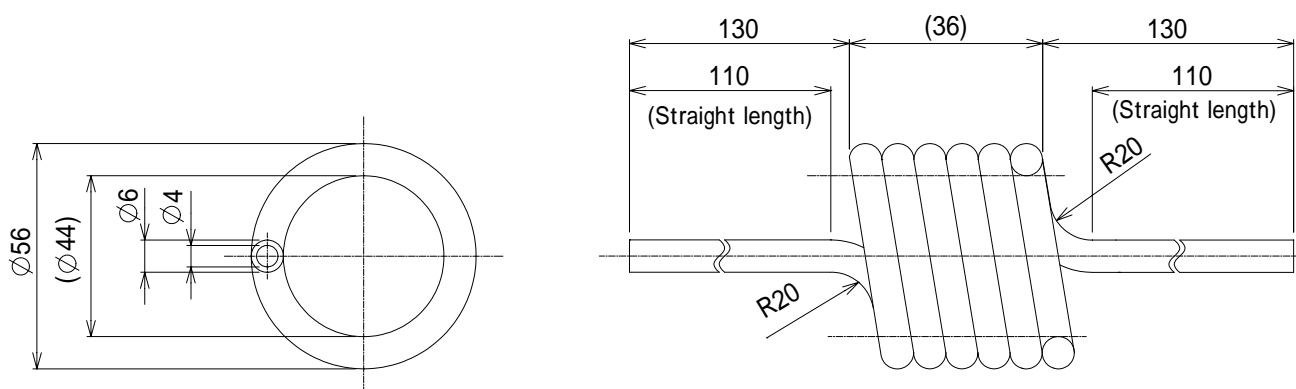
Feature 1: Fluororesin (Material: Super PFA) coil tubing

Feature 2: Ambient and fluid temperature: 0 to 90°C

Specifications

Fluid	Air
Maximum operating pressure (at 20°C)	1.0MPa
Ambient and fluid temperature	0 to 90°C (No freezing)
Material	Super PFA
Color	Translucence
Tube O.D. x Tube I.D.	$\varnothing 6\text{mm}$ x $\varnothing 4\text{mm}$
Number of cores	1
Winding direction	Clockwise
Number of coil windings	6

Dimensions: mm



Note: When different tube sizes, winding direction, and/or number of coil windings are required, consult your sales representative.



Caution: To ensure the safest possible operation of this product, please be sure to read thoroughly the "Safety Instructions" in our "Best Pneumatics" general catalog before use.