

Electro-Vacuum Regulator

- Regulating pressure range: -4 to -93.3kPa

ITV209*-X122

SMC CORPORATION

 1-16-4 Shimbashi, Minato-ku
 Tokyo 105-0004, JAPAN

 URL: <http://www.smcworld.com>

Feature 1: Regulating pressure range is -4 to -93.3kPa.
 (Compare with standard products: -1.3 to -80kPa.)

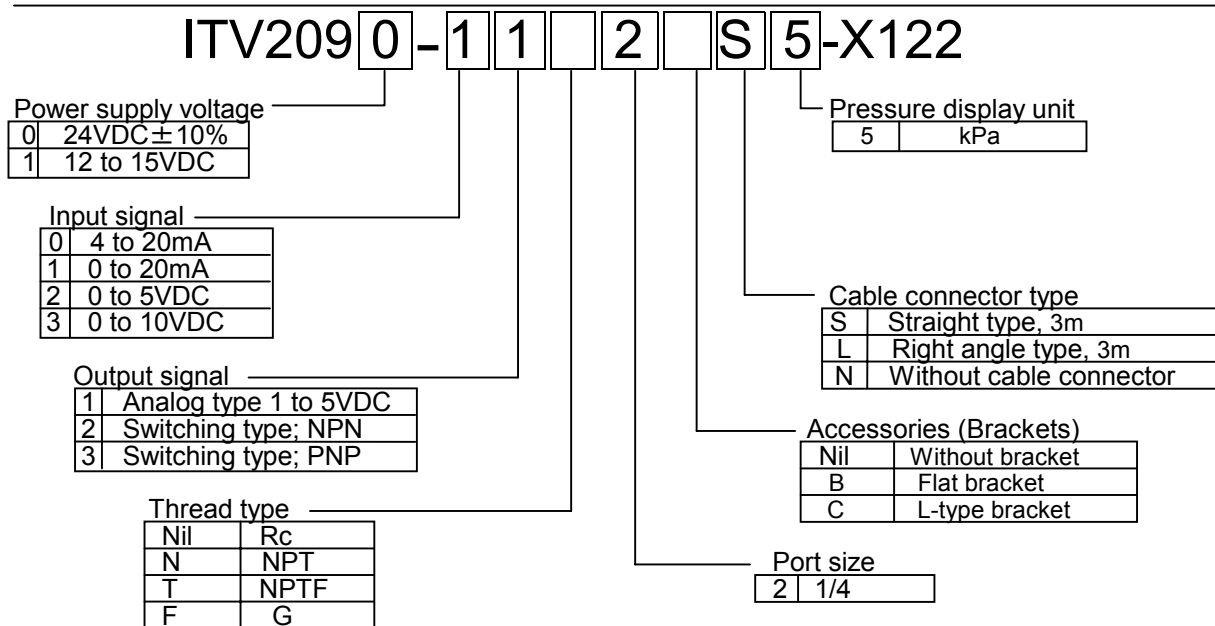
Specification

Model		ITV2090	ITV2091
Supply pressure range		(Set pressure -7kPa) to -101kPa	
Rated regulating pressure range		-4kPa to -93.3kPa	
Power supply voltage		24VDC±10%	12 to 15VDC
Current consumption (At static output pressure)		120mA or less	180mA or less
Input signal	Current type* (See "How to Order" below for correct code)*	0: 4 to 20mA, 1: 0 to 20mA (load impedance: 250Ω or less)	
	Voltage type*	2: 0 to 5VDC, 3: 0 to 10VDC (load impedance: approx. 6.5kΩ)	
Output Signal	Analog type*	1: 1 to 5VDC (accuracy: ±6%F.S. or less) (See note 1)	
	Switching type*	2: NPN output, 3: PNP output	
Linearity		±1%F.S. or less	
Hysteresis		0.5%F.S. or less	
Repeatability		±0.5%F.S. or less	
Sensitivity		0.2%F.S. or less	
Ambient and fluid temperature		0 to 50°C (With no condensation)	
Enclosure		IP65 equivalent	
Weight		Approx. 350g (Without accessories)	

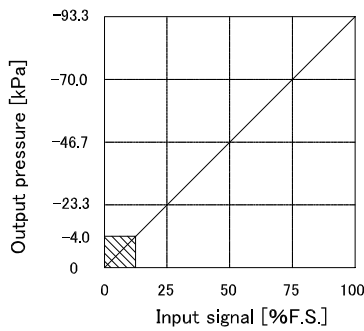
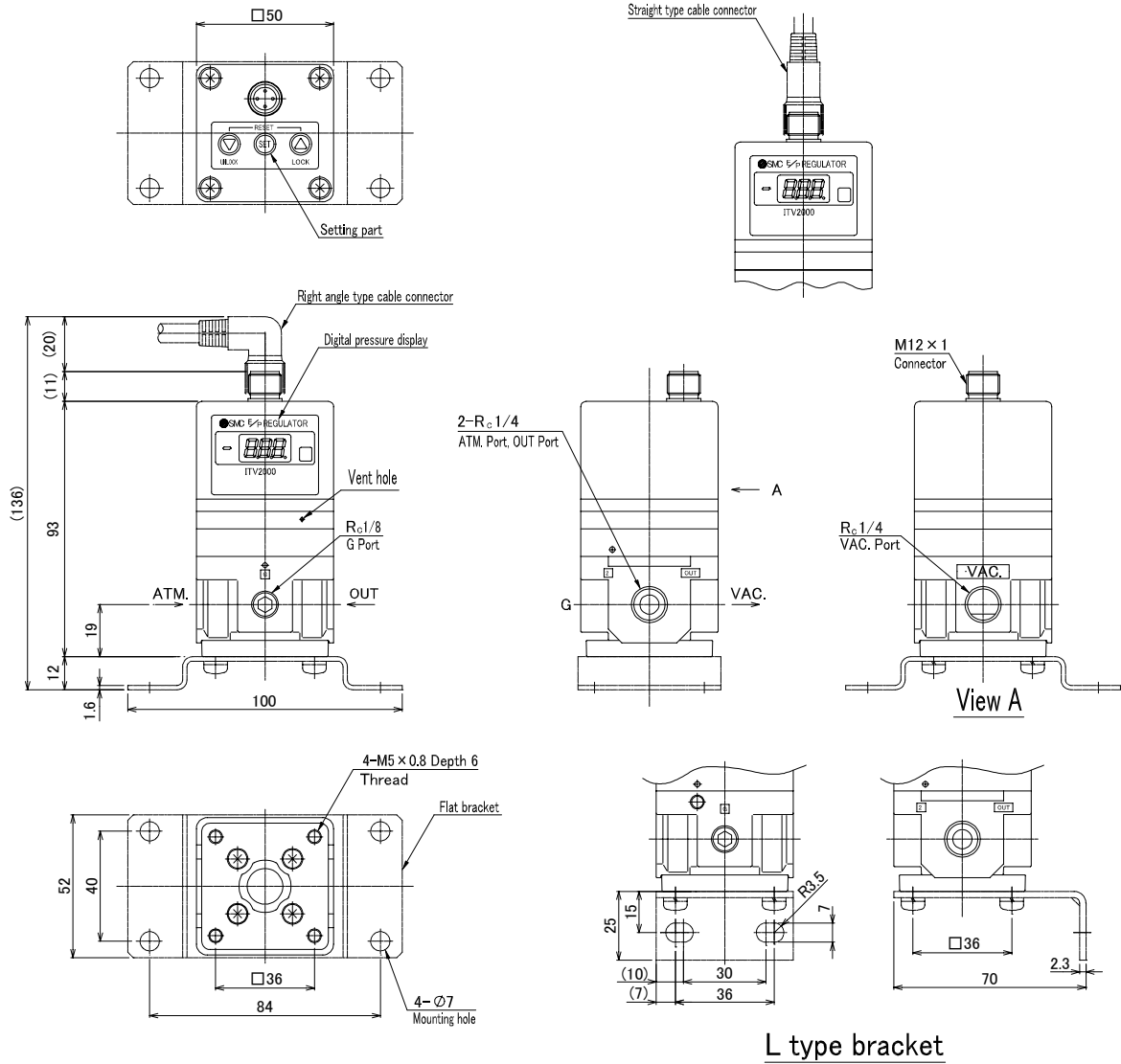
Note 1) Atmospheric pressure: 1VDC; Regulating pressure (rated pressure): output 5VDC.

Note 2) Pressures falling within the shaded area in the input-output characteristics graph on the next page cannot be properly controlled. The regulator cannot relieve pressures in this range completely.

How to Order



Dimensions: mm



Input - Output Characteristics

【Supplement】

Note 2) Pressures falling within the shaded area in the input-output characteristics graph cannot be properly controlled. The regulator cannot relieve pressures in this range completely.



Caution

To ensure the safest possible operation of this product, please be sure to read thoroughly the "Safety Instructions" in our "Best Pneumatics" general catalog before use.

©2001 SMC CORPORATION All Rights Reserved