

# 2-Port Solenoid Valve

## (High speed, OFF response)

### VQ21\*1-X58

#### SMC CORPORATION

 1-16-4 Shimbashi, Minato-ku  
 Tokyo 105-0004, JAPAN

 URL : <http://www.smcworld.com>

Application: Air blow for cotton spinning winder

Feature 1: Valve's OFF response time has been reduced by increasing the return spring load (as compared with standard valve with energy saving circuit).

Feature 2: Pipe fitting section: oil-free specification

Comparison with standard product

- Increased return spring load.
- Pipe fitting section is oil-free specification.

## Specifications

Valve Spec.	Series	VQ21*1-X58		
	Valve construction	2-port poppet pilot operated		
	Fluid	Air, Inert gas		
	Minimum operating pressure	0.01MPa		
	Maximum operating pressure	0.6MPa		
	Effective area	C6: 7.2mm <sup>2</sup> C8: 9mm <sup>2</sup>		
	Body orifice	Ø6mm		
	Response time (See note 1)	ON	10ms or less	
		OFF	15ms or less	
	Ambient and fluid temperature	-10 to 50°C (See note 2)		
	Proof pressure	1.5MPa		
	Lubrication	Not required (Non-lube)		
	Shock resistance / Vibration resistance	150m/s <sup>2</sup> / 30m/s <sup>2</sup> (See note 3)		
	Mounting position	Free		
Weight	Approx. 46g			
Coil Spec.	Coil rated voltage	12VDC, 24VDC		
	Allowable voltage fluctuation	± 10% of rated voltage		
	Coil insulation type	Class B equivalent		
	Power consumption (DC)	Inrush	2.9W	
		Holding	0.5W	
Electrical entry	Grommet			

Note 1) Per JIS8373-1993. (Supply pressure 0.5MPa. No difference because of implementation of an indicator light/surge voltage suppressor.) Clean air must be used.

Note 2) For low temperature, use dry air. No condensation or freezing.

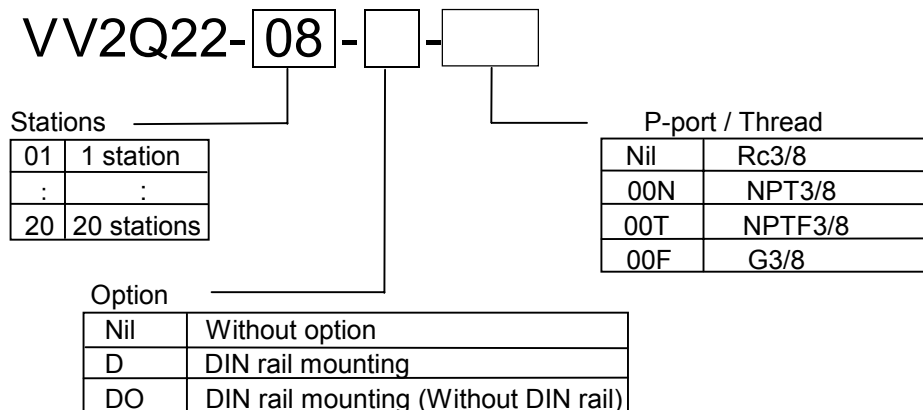
Note 3) Vibration proof --- 8.3 to 2000Hz, Without operation failure when tested under each of the following conditions:

One sweeping, axial direction and right angle direction of main valve/armature both in an energized and non-energized state.

Shock proof --- No operation failure after being tested once in a drop test machine, under each of the following conditions: Axial direction and right angle direction of main valve/armature both in an energized and non-energized state.

## How to Order

### How to Order Manifold



### 【How to Order Manifold Assembly】

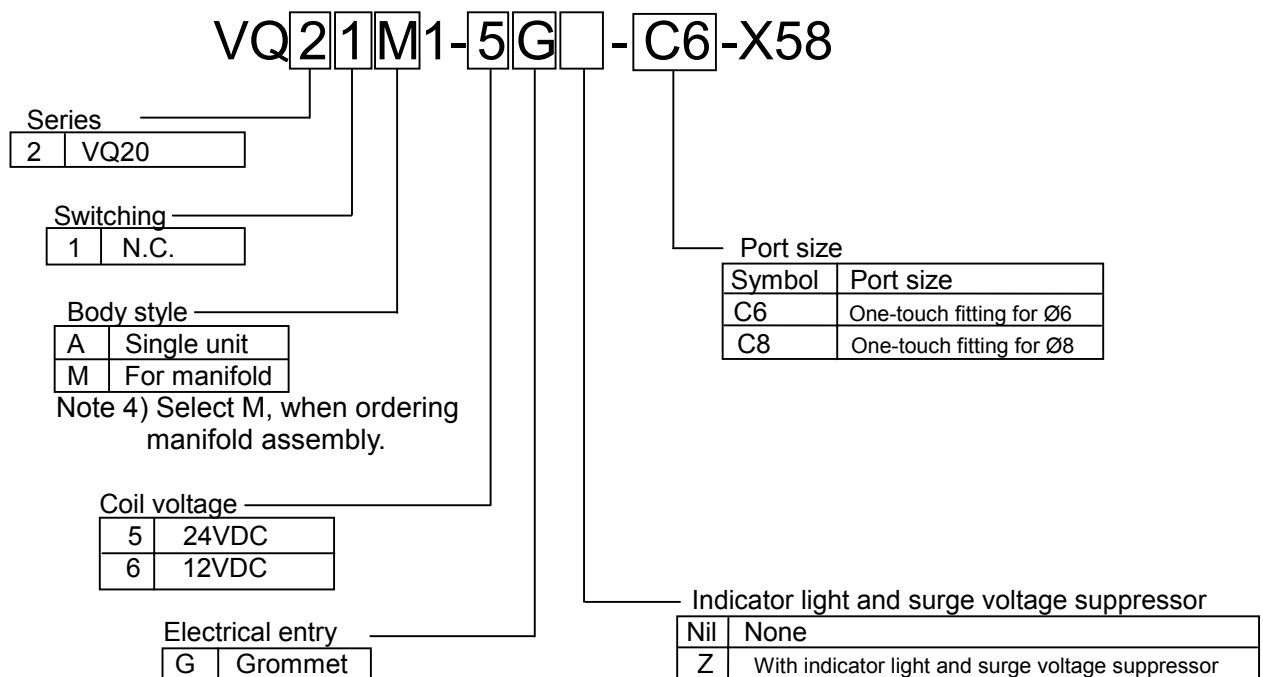
List valve and option port number under the manifold base port number.

(Example)

VV2Q22-04 --- 1 set

\*VQ21M1-5G-C6-X58 --- 4 sets

### How to Order Valve



## Dimensions

Please refer to our Best Pneumatics 1 catalog for the dimensions of the manifold or valve unit, as they are the same as the standard Series VQ20 dimensions (Manifold- P.4.3-12 / Valve unit- P.4.3-6)

### ⚠ Caution

To ensure the safest possible operation of this product, please be sure to read thoroughly the "Safety Instructions" in our "Best Pneumatics" general catalog before use.