

Fitting for Fluororesin Tube

Hose nipple

IN-233-1203

IN-233-1202

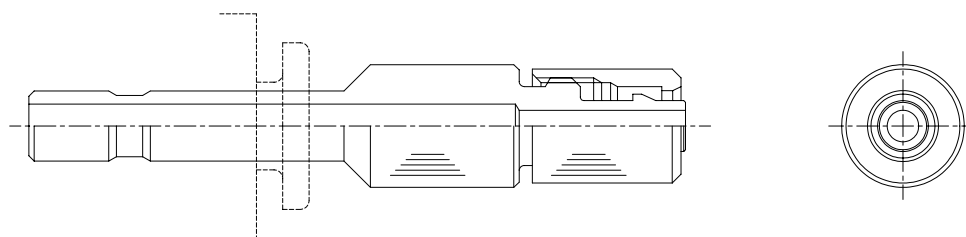
IN-233-1204

SMC CORPORATION
1-16-4 Shimbashi, Minato-ku
Tokyo 105-0004, JAPAN
URL: <http://www.smcworld.com>

Feature 1: Fitting for fluororesin tube

Feature 2: Body material: SUS316

Feature 3: Possible to pipe to one-touch fittings



Hose nipple (IN-233-1203)

Specifications

Product name	Hose nipple		
Model no.	IN-233-1203	IN-233-1202	IN-233-1204
Fluid	Air		
Applicable tube material (*1)	Fluororesin tube		
Applicable tube (*1) (O.D. mm × I.D. mm)	Ø4 × Ø3	Ø6 × Ø4	Ø6 × Ø4
Applicable fitting	Ø4 (*2)	Ø6 (*2)	Ø6 (*3)
Maximum operating pressure (*4)	1MPa		
Proof pressure (*4)	3MPa		
Ambient and fluid temperature (*4)	-5 to 60°C (No freezing)		

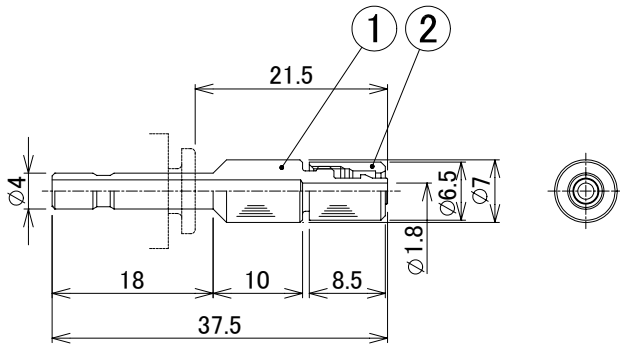
*1) Please use our fluororesin tube (TL series).

*2) This product is not applicable to all types of our one-touch fittings from KJ series and H, S, L, T, Y screw connection M5 and M6 from KQ (2) series.

*3) This product is applicable to all types of one-touch fittings from KJ series and H, S, L, T, Y screw connection M5 and M6 from KQ (2) series.

*4) These values show fittings maximum operating pressure, proof pressure, temperature range and operating temperature range. Please refer to tube's maximum operating pressure and operating temperature range to meet the conditions for both fittings and tubes when connecting with tubes. Ambient temperature and fluid temperature for this product is -5 to 60°C, relating to the piping of one-touch fittings.

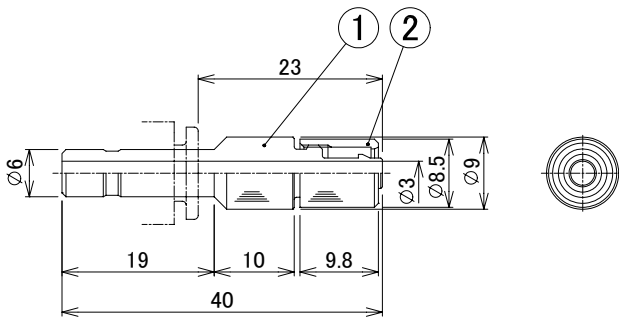
Dimensions: mm



IN-233-1203

Component parts

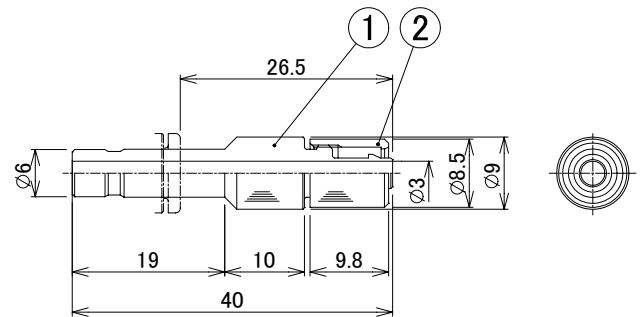
No.	Name	Material	Quantity	Note
1	Hose nipple Ø4/Ø3	SUS316	1	—
2	Cap nut Ø4	SUS316	1	—



IN-233-1202

Component parts

No.	Name	Material	Quantity	Note
1	Hose nipple Ø6/Ø4	SUS316	1	—
2	Cap nut Ø6	SUS316	1	—



IN-233-1204

Component parts

No.	Name	Material	Quantity	Note
1	Hose nipple Ø6/Ø4	SUS316	1	—
2	Cap nut Ø6	SUS316	1	—

Note 1: Contact your SMC sales representative for other fittings for fluororesin tube.



Caution

To ensure the safest possible operation of this product, please be sure to read thoroughly the "Safety Instructions" in our "Best Pneumatics" general catalog before use.