

Fitting for Fluororesin Tube

Hose nipple

IN-233-1103

IN-233-1063

IN-233-1124

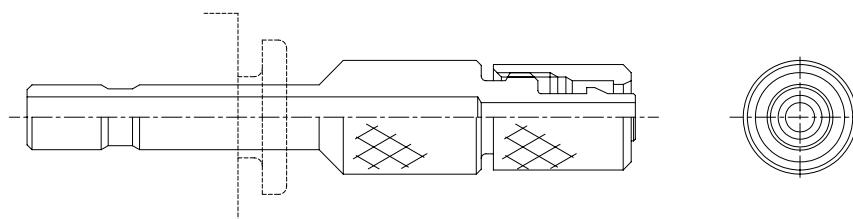
IN-233-1068

SMC CORPORATION
1-16-4 Shimbashi, Minato-ku
Tokyo 105-0004, JAPAN
URL: <http://www.smcworld.com>

Feature 1: Fitting for fluororesin tube

Body material: Electroless nickel plated to brass (C3604BD)

Feature 2: Possible to pipe to one-touch fittings



Hose nipple (IN-233-1103)

Specifications

Product name	Hose nipple			
Model no.	IN-233-1103	IN-233-1063	IN-233-1124	IN-233-1068
Fluid	Air			
Applicable tube material (*1)	Fluororesin tube			
Applicable tube (*1) (O.D. mm × I.D. mm)	Ø4 × Ø3	Ø6 × Ø4	Ø6 × Ø4	Ø8 × Ø6
Applicable fitting	Ø4 (*2)	Ø6 (*2)	Ø6 (*3)	Ø8
Maximum operating pressure (*4)	1MPa			
Proof pressure (*4)	3MPa			
Ambient and fluid temperature (*4)	-5 to 60°C (No freezing)			

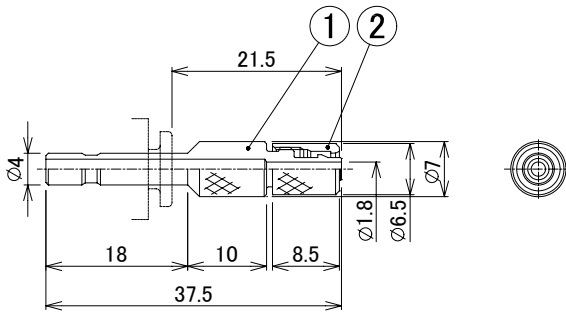
*1) Please use our fluororesin tube (TL series).

*2) This product is not applicable to all types of our one-touch fittings from KJ series and H, S, L, T, Y screw connection M5 and M6 from KQ (2) series.

*3) This product is applicable to all types of one-touch fittings from KJ series and H, S, L, T, Y screw connection M5 and M6 from KQ (2) series.

*4) These values show fittings maximum operating pressure, proof pressure, temperature range and operating temperature range. Please refer to tube's maximum operating pressure and operating temperature range to meet the conditions for both fittings and tubes when connecting with tubes. Ambient temperature and fluid temperature for this product is -5 to 60°C, relating to the piping of one-touch fittings.

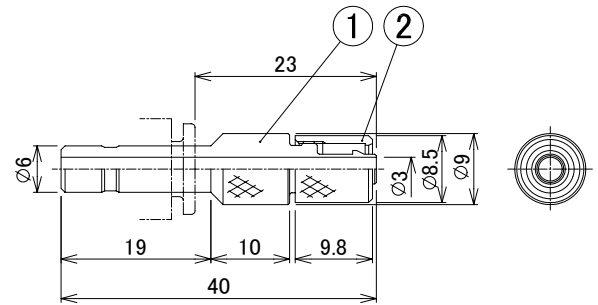
Dimensions: mm



IN-233-1103

Component parts

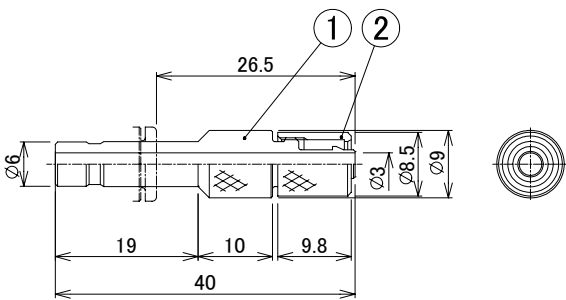
No.	Name	Material	Quantity	Note
1	Hose nipple Ø4/Ø3	Brass (C3604BD)	1	Electroless nickel plated
2	Cap nut Ø4	Brass (C3604BD)	1	Electroless nickel plated



IN-233-1063

Component parts

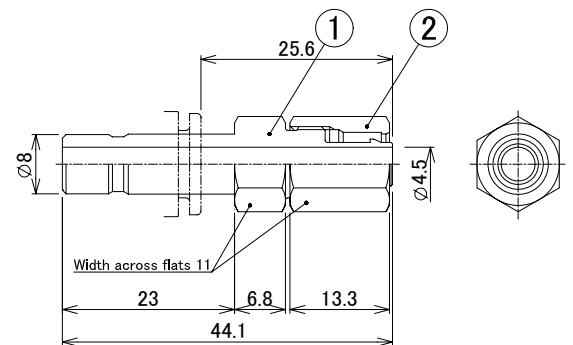
No.	Name	Material	Quantity	Note
1	Hose nipple Ø6/Ø4	Brass (C3604BD)	1	Electroless nickel plated
2	Cap nut Ø6	Brass (C3604BD)	1	Electroless nickel plated



IN-233-1124

Component parts

No.	Name	Material	Quantity	Note
1	Hose nipple Ø6/Ø4	Brass (C3604BD)	1	Electroless nickel plated
2	Cap nut Ø6	Brass (C3604BD)	1	Electroless nickel plated



IN-233-1068

Component parts

No.	Name	Material	Quantity	Note
1	Hose nipple Ø8/Ø6	Brass (C3604BD)	1	Electroless nickel plated
2	Cap nut Ø8	Brass (C3604BD)	1	Electroless nickel plated

Note 1: Contact your SMC sales representative for other fittings for fluororesin tube.



Caution

To ensure the safest possible operation of this product, please be sure to read thoroughly the "Safety Instructions" in our "Best Pneumatics" general catalog before use.