



# Blow Gun with Hook

SMC CORPORATION  
1-16-4 Shimbashi, Minato-ku  
Tokyo 105-0004, JAPAN  
URL: <http://www.smcworld.com>

## VMG-X110

### Feature 1: Install mounting hook in blow gun

(Material: stainless steel)

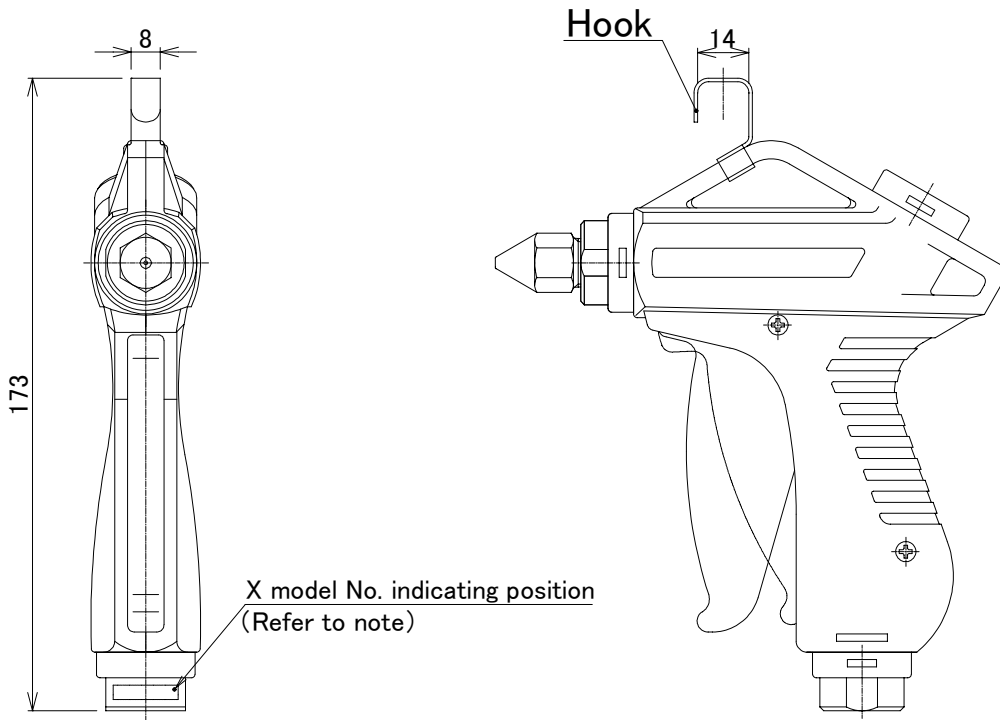


Figure (Above figures show those of VMG12\*-\*-X110)

### Specification (Same as those of standard VMG)

Model	VMG11-X110	VMG12-X110
Fluid	Air	
Operating pressure range	0 to 1.0MPa	
Proof pressure	1.5MPa	
Ambient and fluid temperature	-5 to 60°C (With no condensation)	
Effective area	30mm <sup>2</sup> (without nozzle)	
Port size	Rc, NPT, G: 1/4, 3/8	
Piping entry	Bottom	Top
Nozzle port size	Rc1/4	
Weight	180g (Without nozzle weight)	
Operation force (When the valve is fully open)	7N	

### How to Order

Please indicate "-X110" at the end of standard model no. (Series VMG).  
Refer to blow gun catalogue (CAT.ES50-20) for details.

## Dimensions: mm

---

---

Dimensions are the same as standard product except for installing mounting hook.  
Refer to blow gun catalogue (CAT.ES50-20) for details of dimensions when mounting nozzle and S coupler plug.

Note: "-X110" is indicated on the port section of the product (-X110) for distinguishing from the standard product.

Please consult our sales representative for the place of indicating model no., other than "-X110".



**Caution** To ensure the safest possible operation of this product, please be sure to read thoroughly the "Safety Instructions" in our blow gun (Series VMG) catalogue (CAT.ES50-20) before use.

©2002 SMC CORPORATION All Rights Reserved