

Fluoropolymer tubing / TL series

SMC CORPORATION
1-16-4 Shimbashi, Minato-ku
Tokyo 105-8659, JAPAN
URL: <http://www.smcworld.com>

Coil type, L-type

Features: (1) Coil type

- * Piping for moving parts
- * Cooling of high-temperature fluid



(2) L-type

- * Space-saving piping

Specification

Coil type

Model no.	IN-241-3920	TCU0806-1-DPH00844
Tubing size	6 × 4	8 × 6
No. of cores	1core	1core
No. of coil windings	55roll	12 roll
Direction of windings	Dextral	
Fluid	Air	
Max. operating pressure	1.0MPa	
Max. operating temperature	90	
Material	Super PFA	
Color	Translucent	

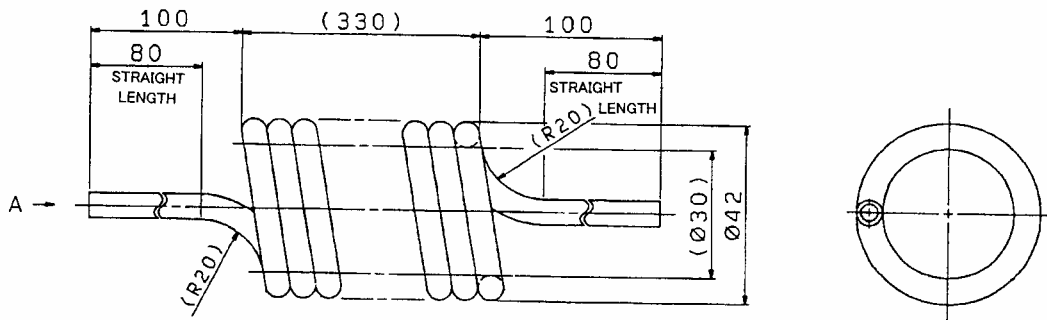
L - type

Model no./ IN-241 -	3101	3102	3103	3104	3105	3106
Outer diameter (mm)	4	6	8	10	12	19
Inner diameter (mm9)	3	4	6	8	10	16
Curvature radius (mm)	R 15		R 25	R 30	R 40	R 70
Fluid	Air					
Max. operating pressure	1.0 MPa		0.9MPa	0.7MPa	0.6MPa	
Max. operating temperature	90					
Material	Super PFA					
Color	Translucent					

Construction and Dimensions : mm

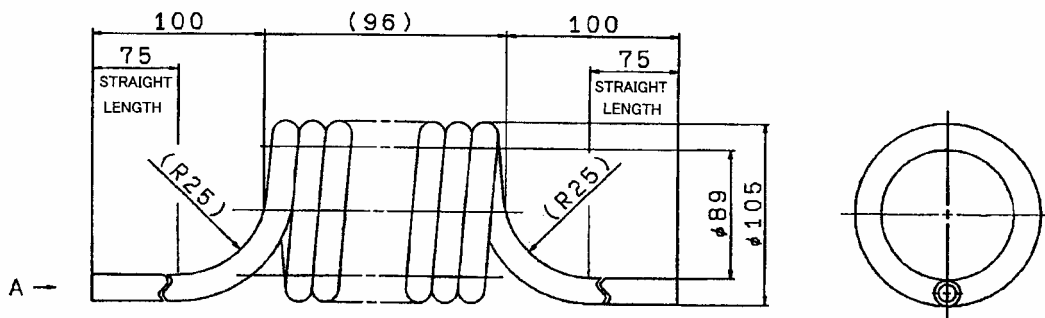
Coil type

IN-241-3920



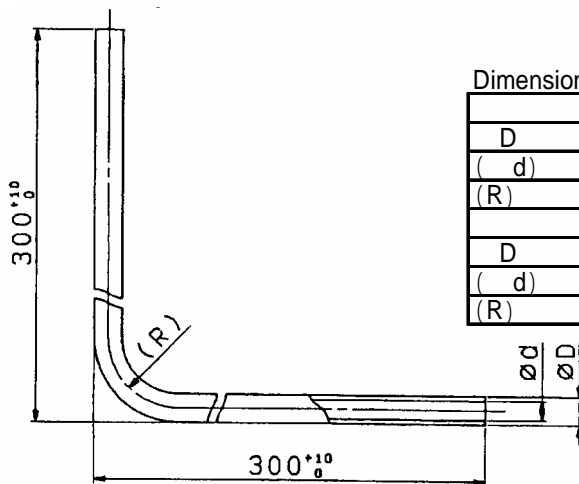
VIEW A

TCU0806-1-DPH00844



VIEW A

L-type



Dimension

	IN-241-3101	IN-241-3102	IN-241-3103
D	4	6	8
(d)	3	4	6
(R)	15	15	25
	IN-241-3101	IN-241-3102	IN-241-3103
D	10	12	19
(d)	8	10	16
(R)	30	40	70

⚠ Caution : To ensure the safest possible operation of this product, please be sure to read thoroughly the "Safety instructions" in our "Best Pneumatics" general catalog before use.