

Aluminum Regulator with Rc 3/4, 1

SMC CORPORATION
1-16-4 Shimbashi, Minato-ku
Tokyo 105-0004, JAPAN
URL: <http://www.smcworld.com>

SR-T2-06-X6, SR-T2-10-X6

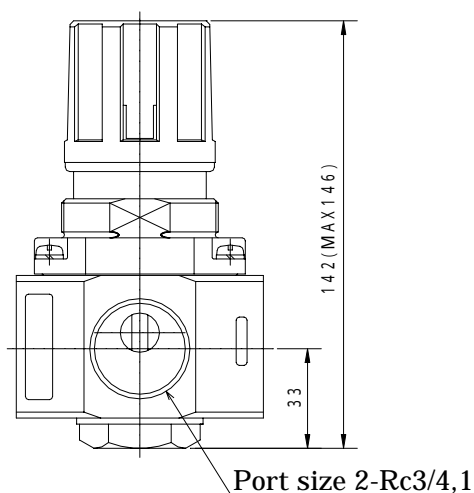
Feature 1: Aluminum Regulator with Rc 3/4, 1

Body material : Aluminum alloy

Feature 2: Non-Grease Specifications

Use no grease for components. And all wetted parts are degreased.

Feature 3: FPM is used for the valve (sealing parts), O-ring, and Diaphragm.

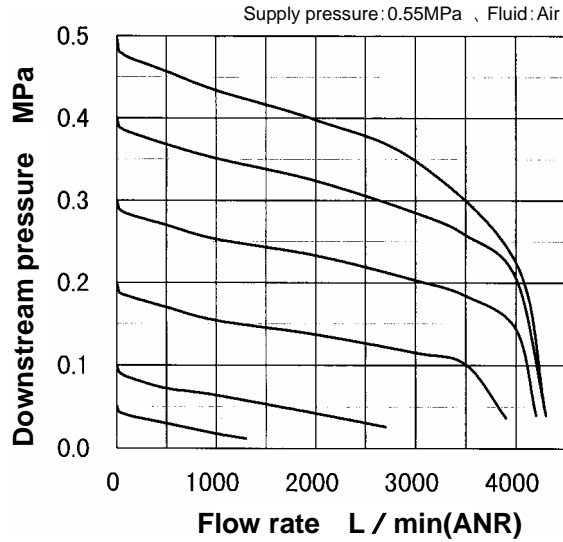


Specifications

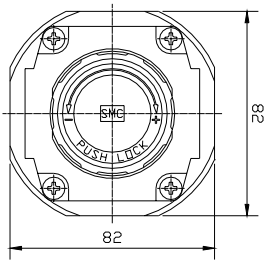
Model	SR-T2-06-X6	SR-T2-10-X6
Port size	Rc 3/4	Rc1
Relief mechanism	Non-relief	
Fluid	Air, N ₂	
Proof pressure	1.5MPa	
Max.operating pressure	1.0MPa	
Set pressure range	0.05 ~ 0.5MPa	
Ambient and fluid temperature	5 ~ 60°C	
Body material	Aluminum alloy	
Diaphragm material	FKM	
Valve material	SUS316,FKM(sealing parts)	
Pressure gauge port size	2-Rc1/4	

Flow Characteristics

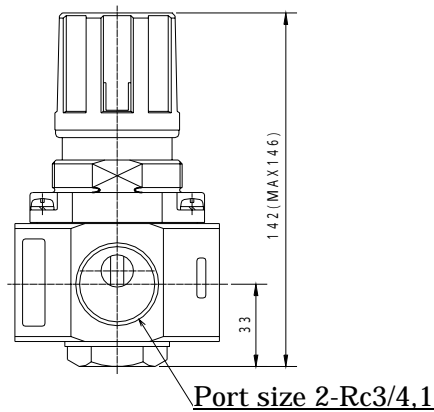
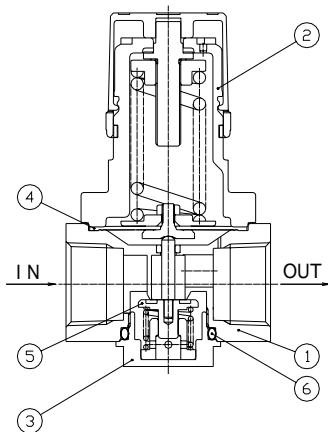
SR-T2-06、10-X6



Dimensions: mm



NO.	Description	Material
	Body	Aluminum alloy
	Bonnet	ADC12
	Valve guide	SUS316
	Diaphragm ass'y	FKM SUS316(metal)
	Valve	FKM(seal) SUS316(metal)
	O ring	FKM



⚠ Caution: To ensure the safest possible operation of this product, please be sure to read thoroughly the "Safety Instructions" in our "Best Pneumatics" general catalog before use.