



Contact our sales office regarding a delivery date or a price since this is a special model.

Rectangular Multi-connector

KDM10(20)-E※-※-X661

SMC CORPORATION
4-14-1, SOTO-KANDA, CHIYODA-KU,
TOKYO 101-0021, JAPAN
URL: <http://www.smcworld.com>

- Feature:
 - Air piping and electric wiring are mixed.
(Electric connector: M8, 4 pins)
 - Sensor signal connection and air piping are integrated:
One-touch connection/disconnection

KDM10-E2-1-X661 (Photo)
With 2 electric connectors



※How to use: Please refer to the KDM series catalog for mounting.



Socket side



Plug side

■How to Order

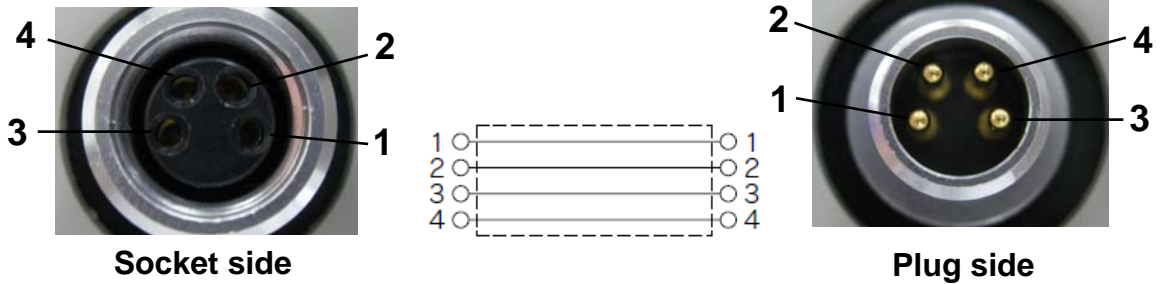
No. of connectors	No. of connection tubes	Tubing O.D.	Model
M8 4 pins 2 on the socket side 2 on the plug side	8	Ø6	KDM10-E2-1-X661
		Ø8	KDM10-E2-2-X661
M8 4 pins 4 on the socket side 4 on the plug side	16	Ø6	KDM20-E4-3-X661
		Ø8	KDM20-E4-4-X661

■ Specifications

Tubing material	Nylon, Soft nylon, Polyurethane
Fluid	Air
Max. operating pressure	1.0 MPa (Note)
Max. vacuum pressure	-100 kPa
Ambient and fluid temperature	-5 to 60°C (No freezing)
Connector rated voltage	125 V DC
Connector rated current	M8: 1A

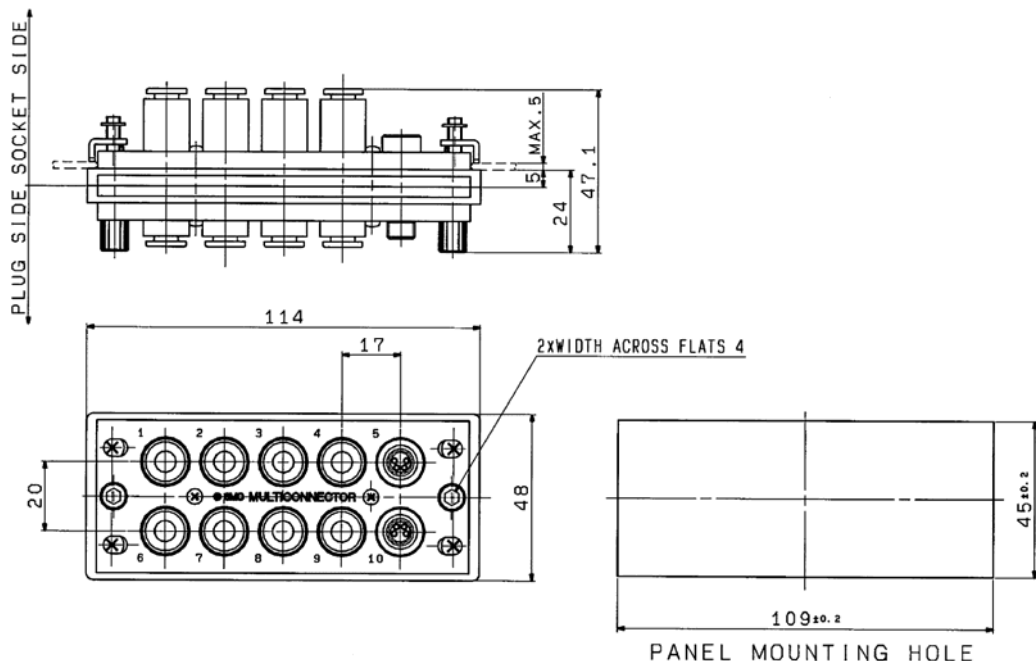
Note: Check the maximum operating pressure of tubing to be used.

※ Connector pin arrangement

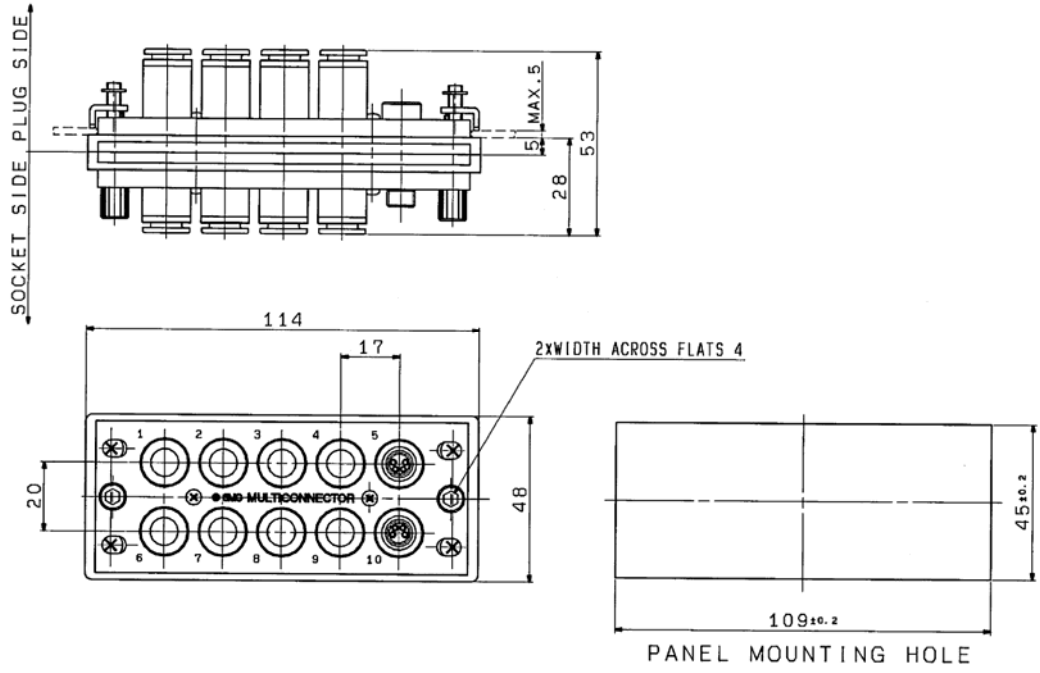


■ Dimensions: mm

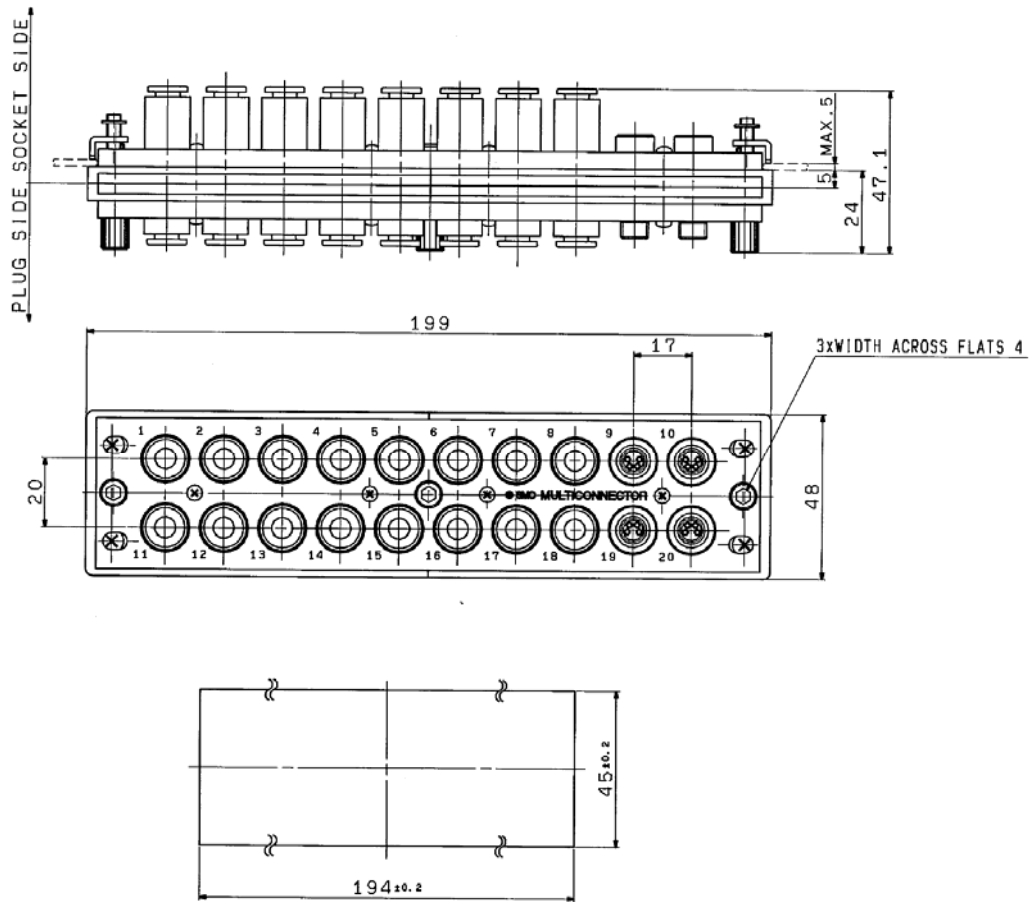
◇ KDM10-E2-1-X661



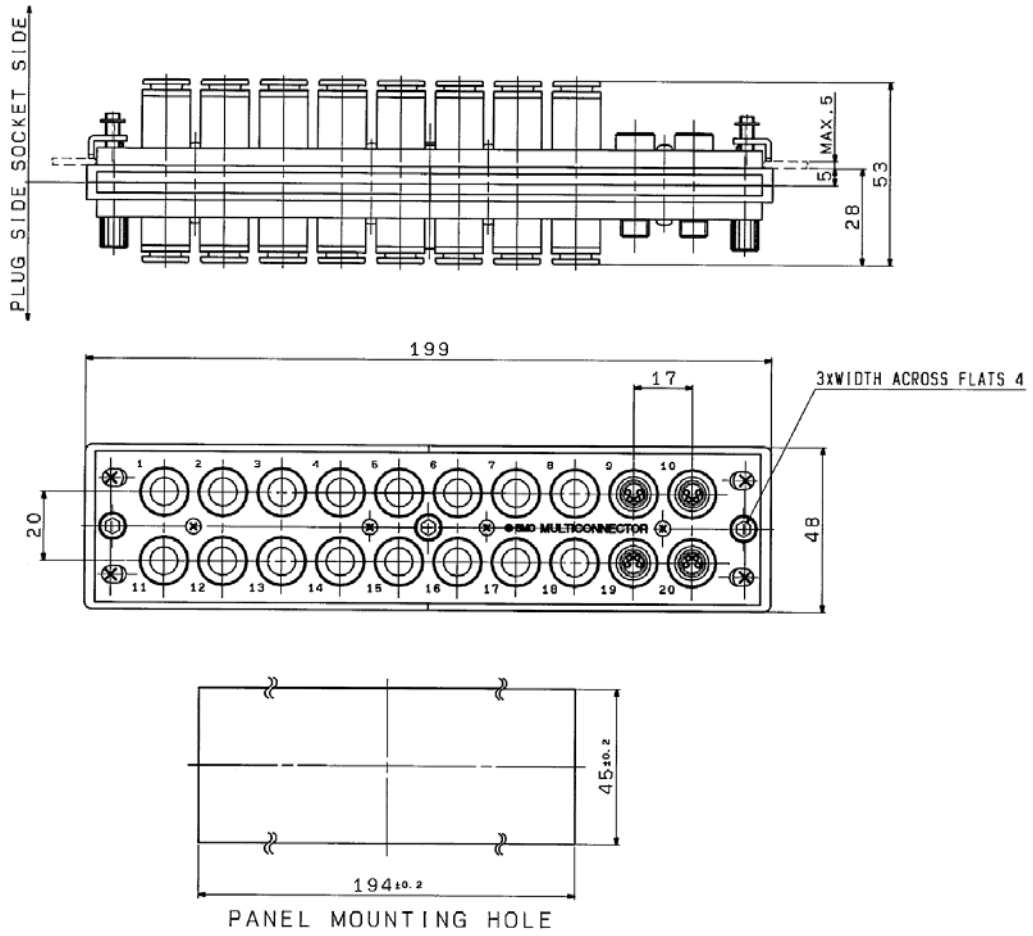
◇KDM10-E2-2-X661




◇KDM20-E4-3-X661



◇KDM20-E4-4-X661



 **Caution** To ensure the safest possible operation of this product, please be sure to read thoroughly the "Safety Instructions" in our "Best Pneumatics" catalog before use.