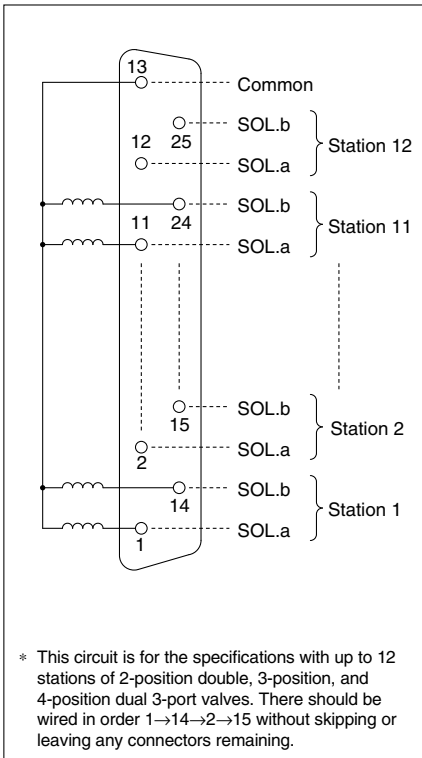


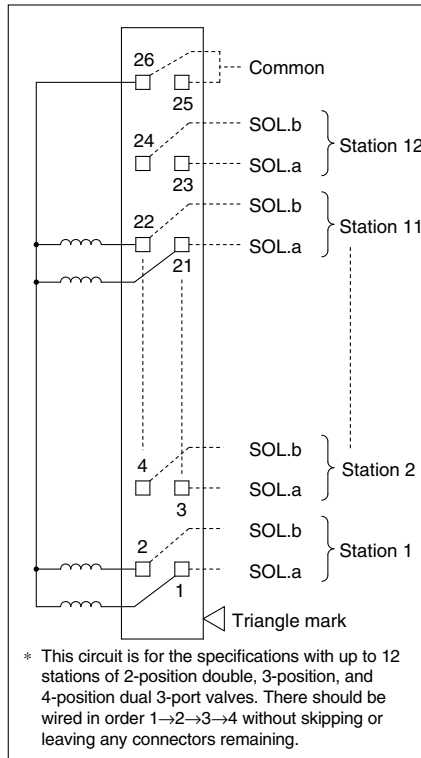
SJ1000/2000/3000 Series

Manifold Electrical Wiring: Connector Type (Non-polar Type)

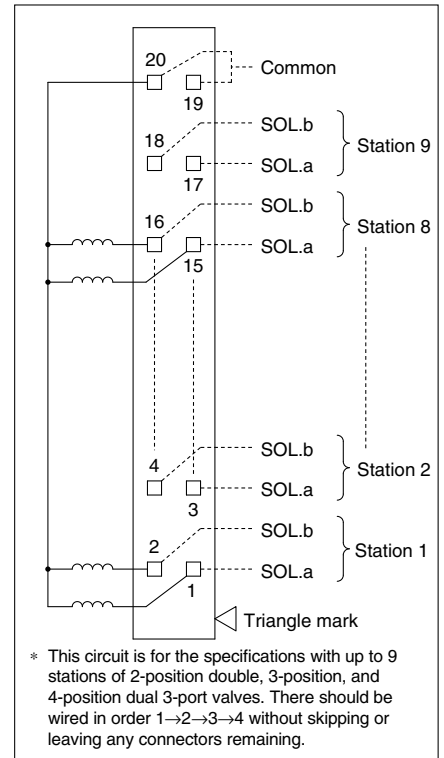
Type 60F: D-sub connector (25 pins)



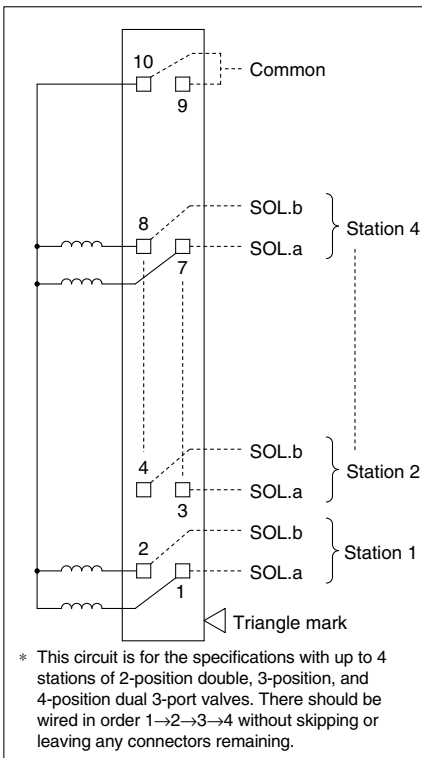
Type 60P: Flat ribbon cable (26 pins)



Type 60PG: Flat ribbon cable (20 pins)



Type 60PH: Flat ribbon cable (10 pins)

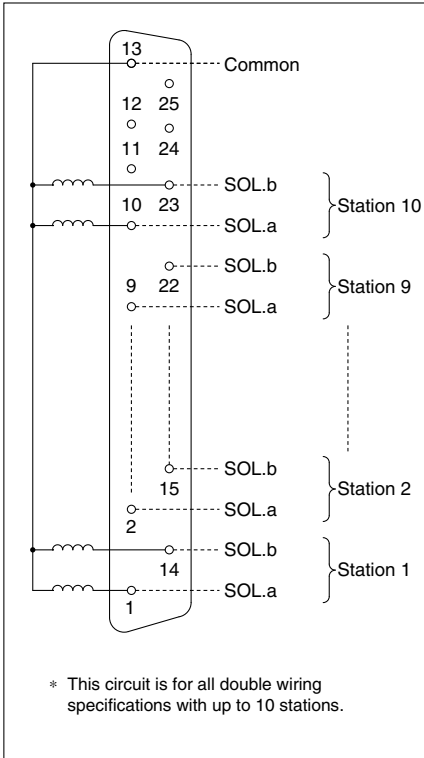


⚠ Caution

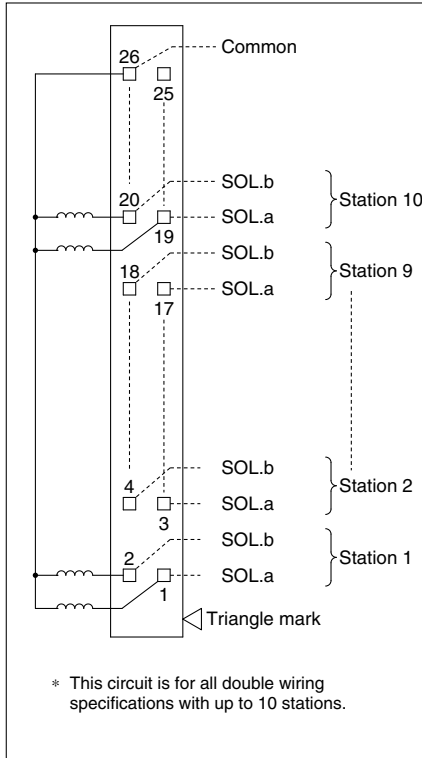
When the non-polar U type valves are used, either positive common or negative common wiring of the manifold is possible. However, when the Z type valves are used, select the positive common or negative common according to the wiring specifications.

Manifold Electrical Wiring: Cable Type

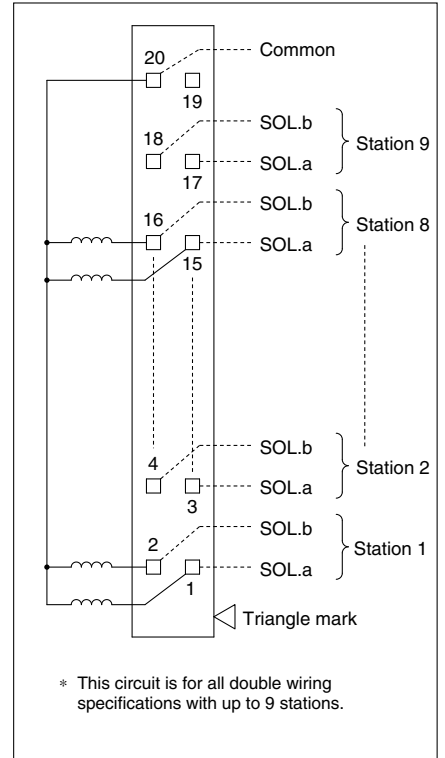
Type 60LF: D-sub connector (25 pins)



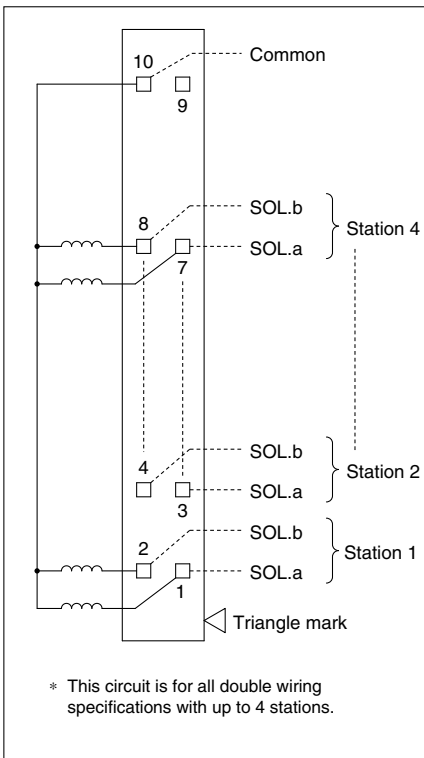
Type 60LP: Flat ribbon cable (26 pins)



Type 60LPG: Flat ribbon cable (20 pins)



Type 60LPH: Flat ribbon cable (10 pins)



⚠ Caution

For electrical connections, select the positive common or negative common according to the wiring specifications.

SJ1000/2000/3000 Series

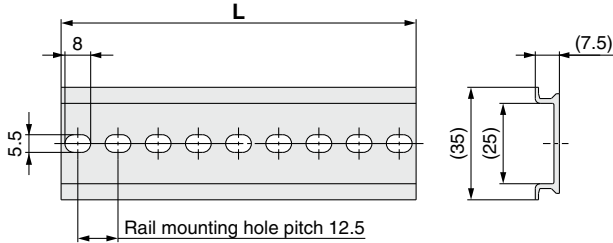
Common to Connector Type/Cable Type/Individual Wiring

■ DIN rail

VZ1000-11-1-□

● L dimension

* Enter a number from the DIN rail dimension table shown to the right.



No.	S1	0	1	2	3	4	5	6	7	8	9
L dimension	85.5	98	110.5	123	135.5	148	160.5	173	185.5	198	210.5
Weight [g]	15.4	17.6	19.9	22.1	24.4	26.6	28.9	31.1	33.4	35.6	37.9

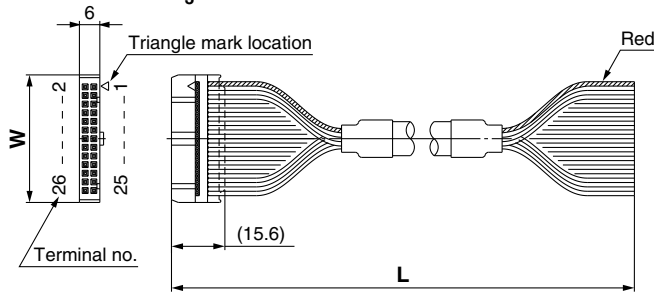
No.	10	11	12	13	14	15	16	17	18	19
L dimension	223	235.5	248	260.5	273	285.5	298	310.5	323	335.5
Weight [g]	40.1	42.4	44.6	46.9	49.1	51.4	53.6	55.9	58.1	60.4

No.	20	21	22	23	24	25	26	27	28	29
L dimension	348	360.5	373	385.5	398	410.5	423	435.5	448	460.5
Weight [g]	62.6	64.9	67.1	69.4	71.6	73.9	76.1	78.4	80.6	82.9

(Unit: mm)

■ Flat ribbon cable assembly

AXT100-FC□-¹/₂/₃



Flat Ribbon Cable Assembly

Cable length (L)	10 pins	20 pins	26 pins
1.5 m	AXT100-FC10-1	AXT100-FC20-1	AXT100-FC26-1
3 m	AXT100-FC10-2	AXT100-FC20-2	AXT100-FC26-2
5 m	AXT100-FC10-3	AXT100-FC20-3	AXT100-FC26-3
Connector width (W)	17.2	30	37.5

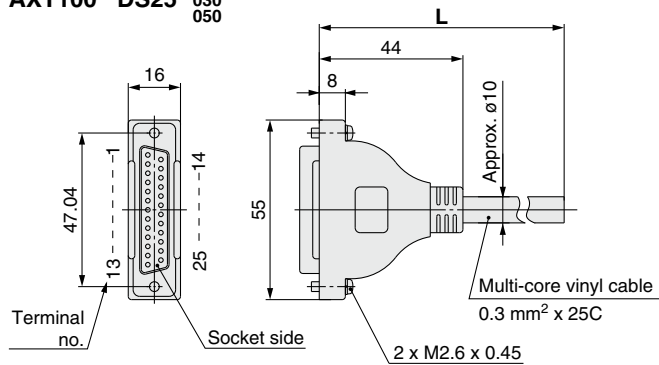
* For other commercial connectors, use a type with strain relief that conforms to MIL-C-83503.

Connector manufacturers:

- HIROSE ELECTRIC CO., LTD.
- 3M Japan Limited
- Fujitsu Limited
- Japan Aviation Electronics Industry, Limited
- J.S.T. Mfg. Co., Ltd.

■ D-sub connector (25 pins)/Cable assembly

AXT100-DS25-⁰¹⁵/₀₃₀/₀₅₀



D-sub Connector Cable Assembly

Cable Color List of Each Terminal No.

Terminal no.	Lead wire color	Dot marking
1	Black	None
2	Brown	None
3	Red	None
4	Orange	None
5	Yellow	None
6	Pink	None
7	Blue	None
8	Purple	White
9	Gray	Black
10	White	Black
11	White	Red
12	Yellow	Red
13	Orange	Red
14	Yellow	Black
15	Pink	Black
16	Blue	White
17	Purple	None
18	Gray	None
19	Orange	Black
20	Red	White
21	Brown	White
22	Pink	Red
23	Gray	Red
24	Black	White
25	White	None

D-sub Connector Cable Assembly

Cable length (L)	Assembly part no.	Note
1.5 m	AXT100-DS25-015	Cable 25 cores x 24AWG
3 m	AXT100-DS25-030	
5 m	AXT100-DS25-050	

* For other commercial connectors, use a 25 pins type with female connector conforming to MIL-C-24308.

Electric Characteristics

Item	Characteristics
Conductor resistance Ω/km , 20°C	65 or less
Withstand pressure VAC, 1 min	1000
Insulation resistance $M\Omega/\text{km}$, 20°C	5 or less

* The min. bending radius for D-sub connector cables is 20 mm.

Connector manufacturers:

- HIROSE ELECTRIC CO., LTD.
- Fujitsu Limited
- Japan Aviation Electronics Industry, Limited
- J.S.T. Mfg. Co., Ltd.