

Membrane Air Dryer

25A-IDG Series

Single Unit/Standard Dew Point -40°C/-60°C Specifications



How to Order

25A - IDG 50 L A - 03 - P

Series compatible with secondary batteries

Size

30
50
60
75
100

Semi-standard

Symbol	Contents
Nil	None
R	Flow direction (Right → Left)

Fitting for purge air discharge

Symbol	Contents
P	With fitting for purge air discharge

Standard dew point temperature

Symbol	Standard dew point [°C]
L	-40
S	-60

Symbol	30	50	60	75	100
L	●	●	●	●	●
S	—	—	●	●	●

Accessory

Symbol	Description
Nil	None
B	With bracket

* When symbol B is indicated, a bracket assembly with a part number shown in the table left below is shipped together as an accessory but does not come assembled.

Port size

Symbol	Bore	Size				
		30	50	60	75	100
02	Rc1/4	●	●	—	—	—
03	Rc3/8	●	●	●	●	●
04	Rc1/2	—	—	●	●	●

* Some parts have dimensions that are different from those of the standard model. Refer to page 191 for details. Other specifications are the same as those of the standard model.

For details, refer to the **Web Catalog**.

Piping materials

Piping to the outlet side with piping made of water-absorbent or hydrophilic material (nylon, etc.) may result in a rising dew point on the outlet side. Therefore, be sure to use either stainless steel or fluoropolymer piping and fittings.

Bracket Assembly (Accessory) Part Nos.

Part no.	Applicable model
25A-BM64	25A-IDG30LA, 50LA
25A-BM65	25A-IDG60LA, 75LA, 100LA

* The assembly consists of a bracket and 2 mounting screws.

Directional Control Valves

Air Cylinders

Related Products

Rotary Actuators

Air Grippers

Vacuum Equipment

Air Preparation Equipment

Clean Air Filters

Modular F.R.L./Pressure Control Equipment

Flow Control Equipment/Fittings

Detection Switches

Fluid Control Equipment

Process Gas Equipment

Electric Actuators

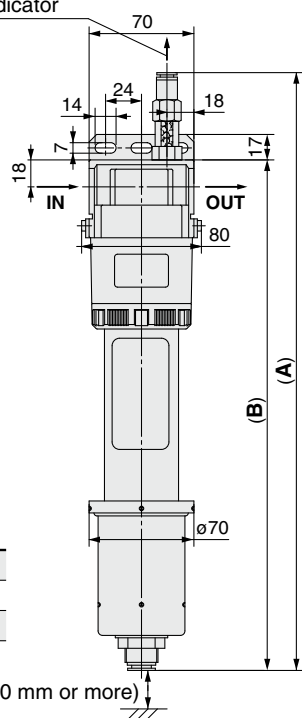
Auto Switches

25A-IDG Series

Dimensions

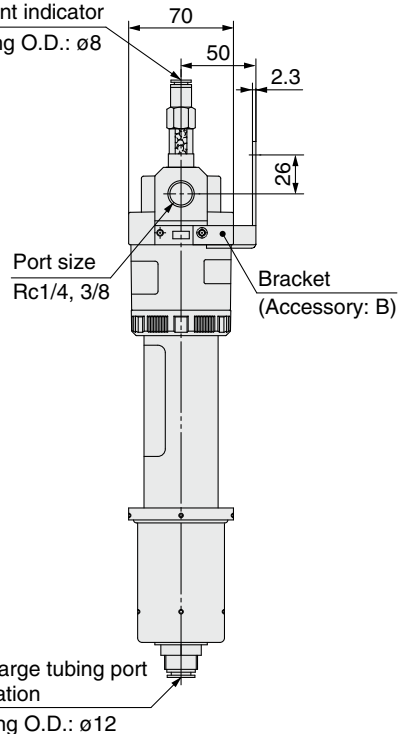
25A-IDG30LA
25A-IDG50LA

Purge air for dew point indicator



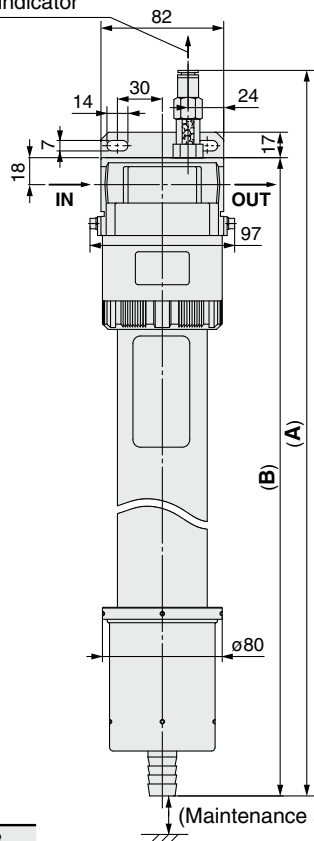
Model	A	B
25A-IDG30LA	361	302
25A-IDG50LA	400	341

Purge air discharge tubing port for dew point indicator
Applicable tubing O.D.: $\phi 8$



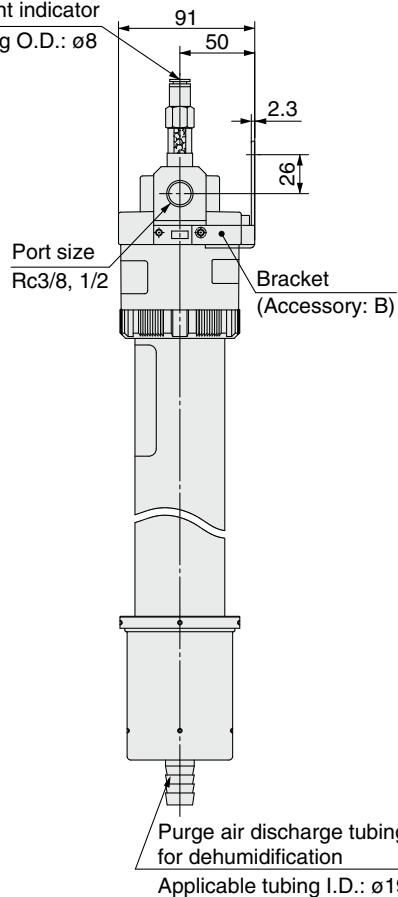
25A-IDG60LA
25A-IDG75LA
25A-IDG100LA

Purge air for dew point indicator



Model	A	B
25A-IDG60LA	426	367
25A-IDG75LA	495	436
25A-IDG100LA	560	501

Purge air discharge tubing port for dew point indicator
Applicable tubing O.D.: $\phi 8$



Main Line Filter

25A-AFF Series

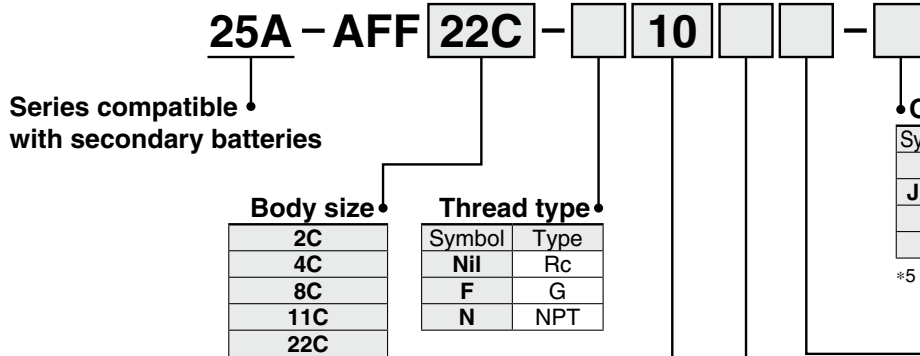


* 25A-AFF75B only



How to Order

25A-AFF2C to 25A-AFF22C



Bracket Assembly Part Nos.*3

Applicable model	Part no.
25A-AFF2C	25A-AM-BM101
25A-AFF4C	25A-AM-BM102
25A-AFF8C	25A-AM-BM103
25A-AFF11C	25A-AM-BM104
25A-AFF22C	25A-AM-BM105

*3 The assembly consists of a bracket and 2 mounting screws.

Port size

Symbol	Size	Applicable body size				
		2C	4C	8C	11C	22C
01	1/8	●	—	—	—	—
02	1/4	●	●	—	—	—
03	3/8	—	●	●	—	—
04	1/2	—	—	●	●	—
06	3/4	—	—	—	●	●
10	1	—	—	—	—	●

Auto drain*4

Symbol	Description
Nil	Drain cock (Without auto drain)
C	N.C. auto drain
D	N.O. auto drain

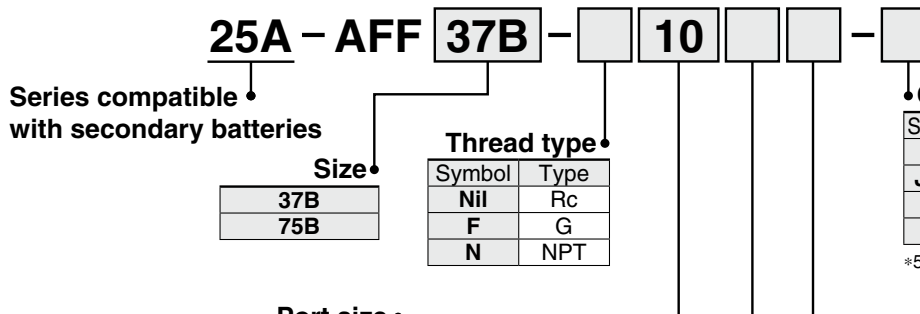
*4 Only one drain exhaust method can be selected. The drain cock, N.C. auto drain, N.O. auto drain and drain guide cannot be selected together.

Accessory

Symbol	Description
Nil	—
B	Bracket *2

*2 When symbol "B" is indicated, a bracket assembly with a part number shown in the left table is shipped together as an accessory but does not come assembled.

25A-AFF37B/75B



Symbol	Size	Applicable body size	
		37B	75B
10	1	●	—
14	1 1/2	●	●
20	2	—	●

Bracket Assembly Part Nos.*3

Applicable model	Part no.
25A-AFF37B	25A-BM56
25A-AFF75B	25A-BM57

*3 The assembly consists of a bracket and 2 mounting screws.

Accessory

Symbol	Description
Nil	—
B	Bracket *1

*1 When symbol "B" is indicated, a bracket assembly with a part number shown in the left table is shipped together as an accessory but does not come assembled.

Auto drain*4

Symbol	Description
Nil	Drain cock (Without auto drain) *2
D	N.O. auto drain (37B only)

*2 Body size 75B is equipped with a ball valve (Rc 3/8 female threaded).

*4 Body size 37B: Only one drain exhaust method can be selected. The drain cock, N.O. auto drain and drain guide cannot be selected together.

* The 25A-series specifications and dimensions are the same as those of the standard model.

For details, refer to the Web Catalog.

Mist Separator

25A-AM Series



* 25A-AM850 only



How to Order

25A-AM150C to 25A-AM550C

25A - AM 550C - [] 10 [] [] - []

Series compatible with secondary batteries

Body size

150C
250C
350C
450C
550C

Thread type

Symbol	Type
Nil	Rc
F	G
N	NPT

Option

Symbol	Description
Nil	—
J*4,*5	Drain guide 1/4 female threaded
R	IN-OUT reversal direction
T	With element service indicator

*5 Drain piping and piping for a stop valve such as ball valve are required.

Auto drain*4

Symbol	Description
Nil	Drain cock (Without auto drain)
C	N.C. auto drain
D	N.O. auto drain

*4 Only one drain exhaust method can be selected. The drain cock, N.C. auto drain, N.O. auto drain and drain guide cannot be selected together.

Accessory

Symbol	Description
Nil	—
B	Bracket *2

*2 When symbol "B" is indicated, a bracket assembly with a part number shown in the left table is shipped together as an accessory but does not come assembled.

Port size

Symbol	Size	Applicable body size				
		150C	250C	350C	450C	550C
01	1/8	●	—	—	—	—
02	1/4	●	—	—	—	—
03	3/8	—	●	—	—	—
04	1/2	—	—	●	●	—
06	3/4	—	—	—	●	●
10	1	—	—	—	—	●

Bracket Assembly Part Nos.*3

Applicable model	Part no.
25A-AM150C	25A-AM-BM101
25A-AM250C	25A-AM-BM102
25A-AM350C	25A-AM-BM103
25A-AM450C	25A-AM-BM104
25A-AM550C	25A-AM-BM105

*3 The assembly consists of a bracket and 2 mounting screws.

25A-AM650/850

25A - AM 650 - [] 10 [] [] - []

Series compatible with secondary batteries

Body size

650
850

Thread type

Symbol	Type
Nil	Rc
F	G
N	NPT

Option

Symbol	Description
Nil	—
J*4,*5	Drain guide 1/4 female threaded (650 only)
R	IN-OUT reversal direction
T	With element service indicator

*5 Drain piping and piping for a stop valve such as ball valve are required.

Auto drain*4

Symbol	Description
Nil	Drain cock (Without auto drain) *2
D	N.O. auto drain (650 only)

*2 Body size 850 is equipped with a ball valve (Rc 3/8 female threaded).

*4 Body size 650: Only one drain exhaust method can be selected. The drain cock, N.O. auto drain and drain guide cannot be selected together.

Accessory

Symbol	Description
Nil	—
B	Bracket *1

*1 When symbol "B" is indicated, a bracket assembly with a part number shown in the left table is shipped together as an accessory but does not come assembled.

Port size

Symbol	Size	Applicable body size	
		650	850
10	1	●	—
14	1 1/2	●	●
20	2	—	●

Bracket Assembly Part Nos.*3

Applicable model	Part no.
25A-AM650	25A-BM56
25A-AM850	25A-BM57

*3 The assembly consists of a bracket and 2 mounting screws.

* The 25A- series specifications and dimensions are the same as those of the standard model.

Micro Mist Separator

25A-AMD Series



* 25A-AMD850 only



How to Order

25A-AMD150C to 25A-AMD550C

25A - AMD 550C - [] 10 [] [] - []

Series compatible with secondary batteries

Body size

150C
250C
350C
450C
550C

Thread type

Symbol	Type
Nil	Rc
F	G
N	NPT

Option

Symbol	Description
Nil	—
J*4,*5	Drain guide 1/4 female threaded
R	IN-OUT reversal direction
T	With element service indicator

*5 Drain piping and piping for a stop valve such as ball valve are required.

Auto drain*4

Symbol	Description
Nil	Drain cock (Without auto drain)
C	N.C. auto drain
D	N.O. auto drain

*4 Only one drain exhaust method can be selected. The drain cock, N.C. auto drain, N.O. auto drain and drain guide cannot be selected together.

Accessory

Symbol	Description
Nil	—
B	Bracket *2

*2 When symbol "B" is indicated, a bracket assembly with a part number shown in the left table is shipped together as an accessory but does not come assembled.

Port size

Symbol	Size	Applicable body size				
		150C	250C	350C	450C	550C
01	1/8	●	—	—	—	—
02	1/4	●	●	—	—	—
03	3/8	—	●	●	—	—
04	1/2	—	—	●	●	—
06	3/4	—	—	—	●	●
10	1	—	—	—	—	●

Bracket Assembly Part Nos.*3

Applicable model	Part no.
25A-AMD150C	25A-AM-BM101
25A-AMD250C	25A-AM-BM102
25A-AMD350C	25A-AM-BM103
25A-AMD450C	25A-AM-BM104
25A-AMD550C	25A-AM-BM105

*3 The assembly consists of a bracket and 2 mounting screws.

25A-AMD650/850

25A - AMD 650 - [] 10 [] [] - []

Series compatible with secondary batteries

Body size

650
850

Thread type

Symbol	Type
Nil	Rc
F	G
N	NPT

Option

Symbol	Description
Nil	—
J*4,*5	Drain guide 1/4 female threaded (650 only)
R	IN-OUT reversal direction
T	With element service indicator

*5 Drain piping and piping for a stop valve such as ball valve are required.

Auto drain*4

Symbol	Description
Nil	Drain cock (Without auto drain) *2
D	N.O. auto drain (650 only)

*2 Body size 850 is equipped with a ball valve (Rc 3/8 female threaded).

*4 Body size 650: Only one drain exhaust method can be selected. The drain cock, N.O. auto drain and drain guide cannot be selected together.

Accessory

Symbol	Description
Nil	—
B	Bracket *1

*1 When symbol "B" is indicated, a bracket assembly with a part number shown in the left table is shipped together as an accessory but does not come assembled.

Port size

Symbol	Size	Applicable body size	
		650	850
10	1	●	—
14	1 1/2	●	●
20	2	—	●

Bracket Assembly Part Nos.*3

Applicable model	Part no.
25A-AMD650	25A-BM56
25A-AMD850	25A-BM57

*3 The assembly consists of a bracket and 2 mounting screws.

* The 25A-series specifications and dimensions are the same as those of the standard model.

For details, refer to the Web Catalog.

Micro Mist Separator with Pre-filter



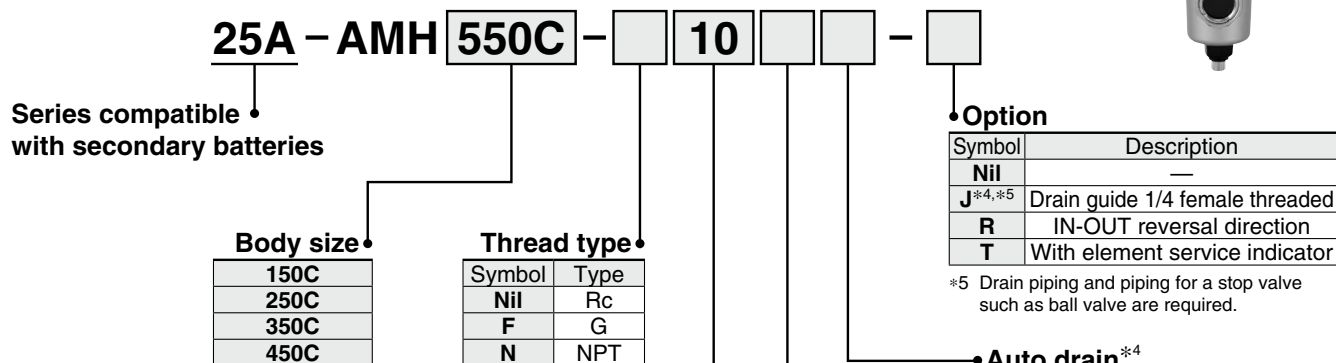
* 25A-AMH850 only

25A-AMH Series



How to Order

25A-AMH150C to 25A-AMH550C



Bracket Assembly Part Nos.*3

Applicable model	Part no.
25A-AMH150C	25A-AMBM101
25A-AMH250C	25A-AMBM102
25A-AMH350C	25A-AMBM103
25A-AMH450C	25A-AMBM104
25A-AMH550C	25A-AMBM105

*3 The assembly consists of a bracket and 2 mounting screws.

Port size

Symbol	Size	Applicable body size				
		150C	250C	350C	450C	550C
01	1/8	●	—	—	—	—
02	1/4	●	●	—	—	—
03	3/8	—	●	●	—	—
04	1/2	—	—	●	●	—
06	3/4	—	—	—	●	●
10	1	—	—	—	—	●

Auto drain*4

Symbol	Description
Nil	Drain cock (Without auto drain)
C	N.C. auto drain
D	N.O. auto drain

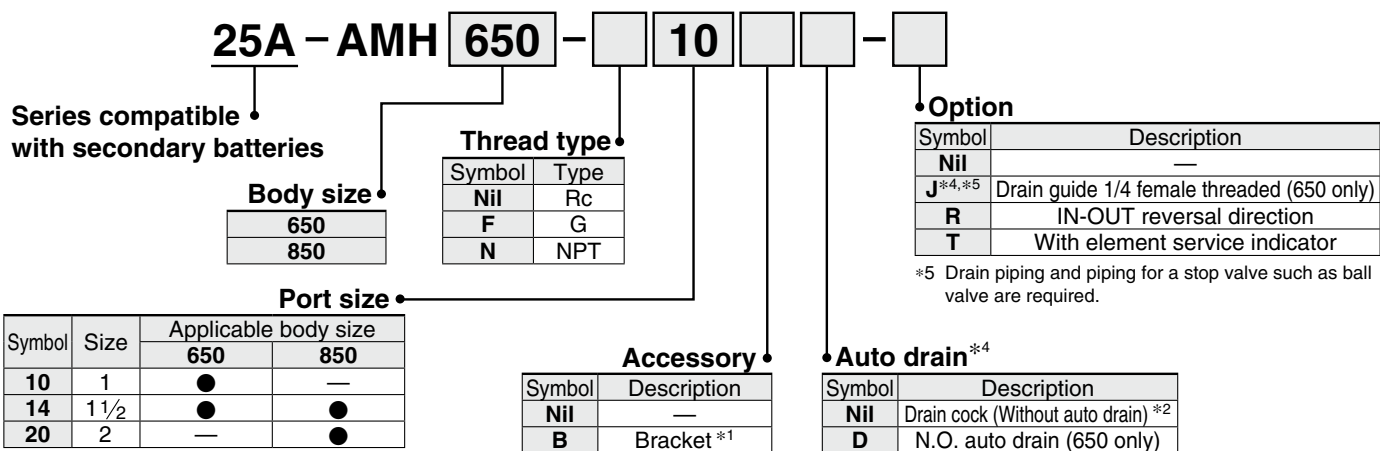
*4 Only one drain exhaust method can be selected. The drain cock, N.C. auto drain, N.O. auto drain and drain guide cannot be selected together.

Accessory

Symbol	Description
Nil	—
B	Bracket *2

*2 When symbol "B" is indicated, a bracket assembly with a part number shown in the left table is shipped together as an accessory but does not come assembled.

25A-AMH650/850



Bracket Assembly Part Nos.*3

Applicable model	Part no.
25A-AMH650	25A-BM56
25A-AMH850	25A-BM57

*3 The assembly consists of a bracket and 2 mounting screws.

* The 25A- series specifications and dimensions are the same as those of the standard model. For details, refer to the Web Catalog.