

ISO Cylinder ISO Standard (15552)

CP96 Series

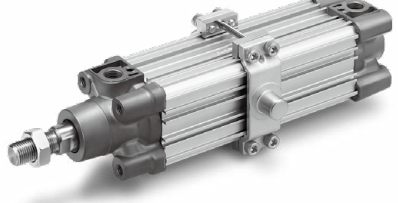
ø32, ø40, ø50, ø63, ø80, ø100, ø125

RoHS

Lightweight Up to 15% Weight reduced

* Compared with the previous CP96 series (ø40, 100 mm stroke)

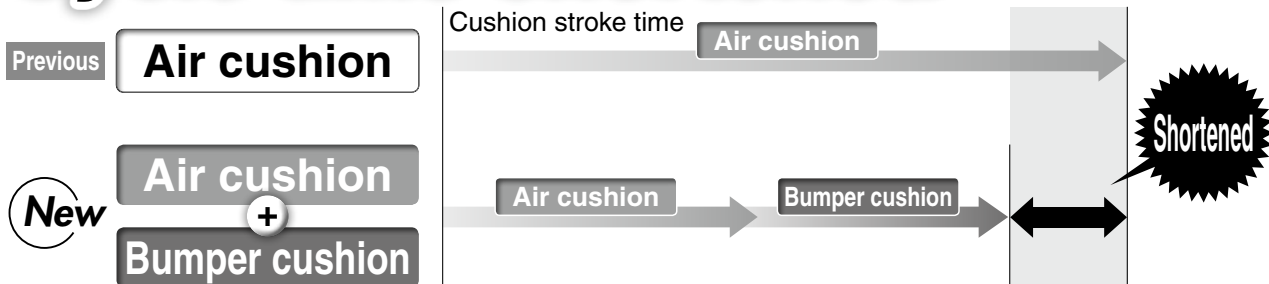
New
An adjustable position trunnion has been added.



■ By adopting a new cushion method (Air cushion + Bumper cushion),

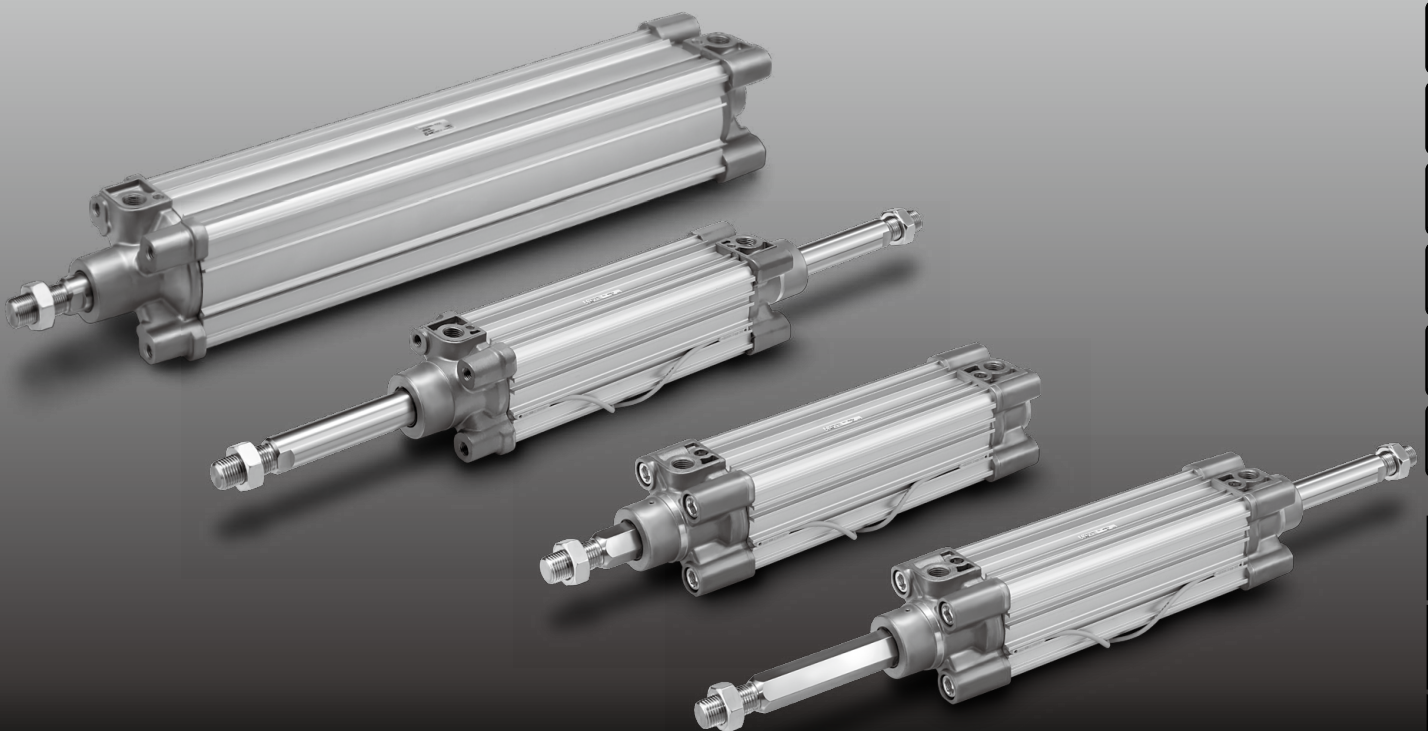
Cycle time shortened

(Applicable cylinder: ø32 to ø100)



■ Bumper cushion reduces the metal noise that occurs when piston stops

(Applicable cylinder: ø32 to ø100)



- C85
- C85W
- C85-ST
- C85K
- C85K-ST
- C85R
- C75
- C75W
- C75-ST
- C75K
- C75K-ST
- C75R
- CP96**
- CP96K
- C96
- C96K
- C96Y
- C55
- Auto Switch
- Made to Order
- Related Products

New CP96 Series

Weight reduced

Achieved weight reduction by changing rod cover shape and piston structure

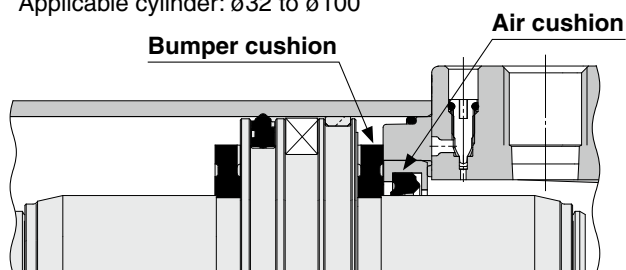
Bore size [mm]	CP96 [kg]	Reduction rate [%]
32	0.74	11
40	1.02	15
50	1.74	11
63	2.12	12
80	3.40	11
100	4.33	11

* Compared with the previous CP96 series (100 mm stroke)

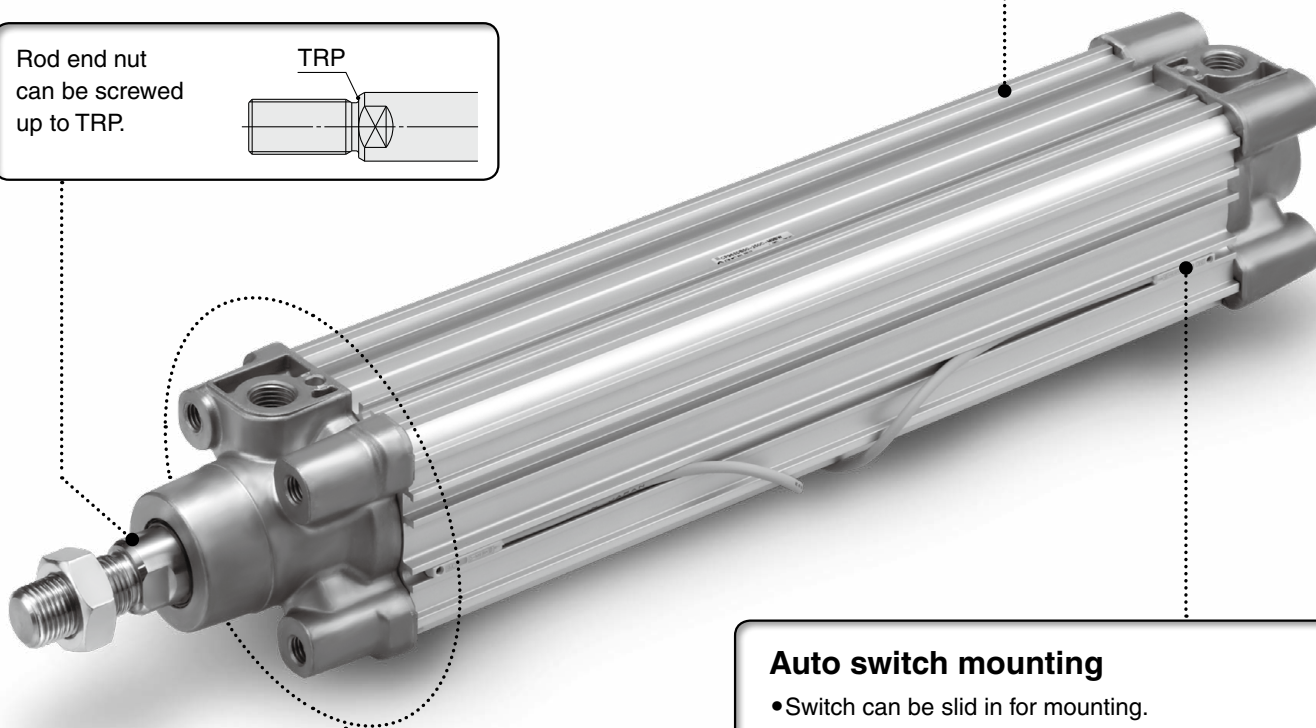
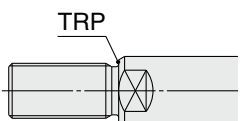
Air cushion + Bumper cushion Combined structure

- The cushion stroke time can now be reduced with the double cushioning, which improves the cycle time.
- The bumper cushion reduces the metal noise that occurs when the piston stops at the end of the stroke.

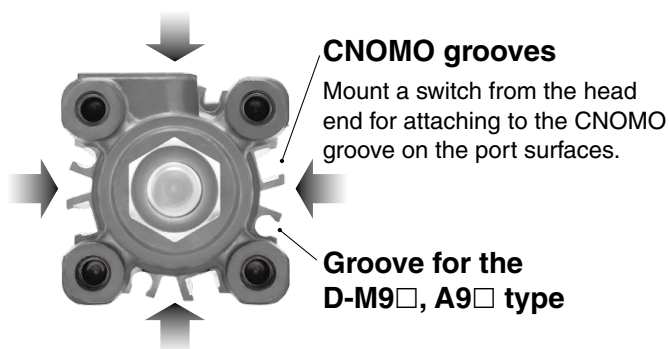
Applicable cylinder: $\varnothing 32$ to $\varnothing 100$



Rod end nut can be screwed up to TRP.



Auto switch mounting surface

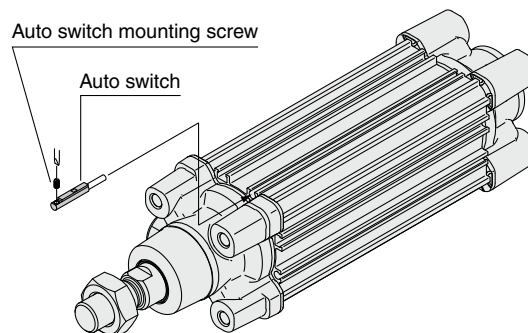


Auto switch mounting

- Switch can be slid in for mounting.
- Groove for M9, A9 switches and CNOMO groove are on all four sides. Max. four sides, slide-in mountable

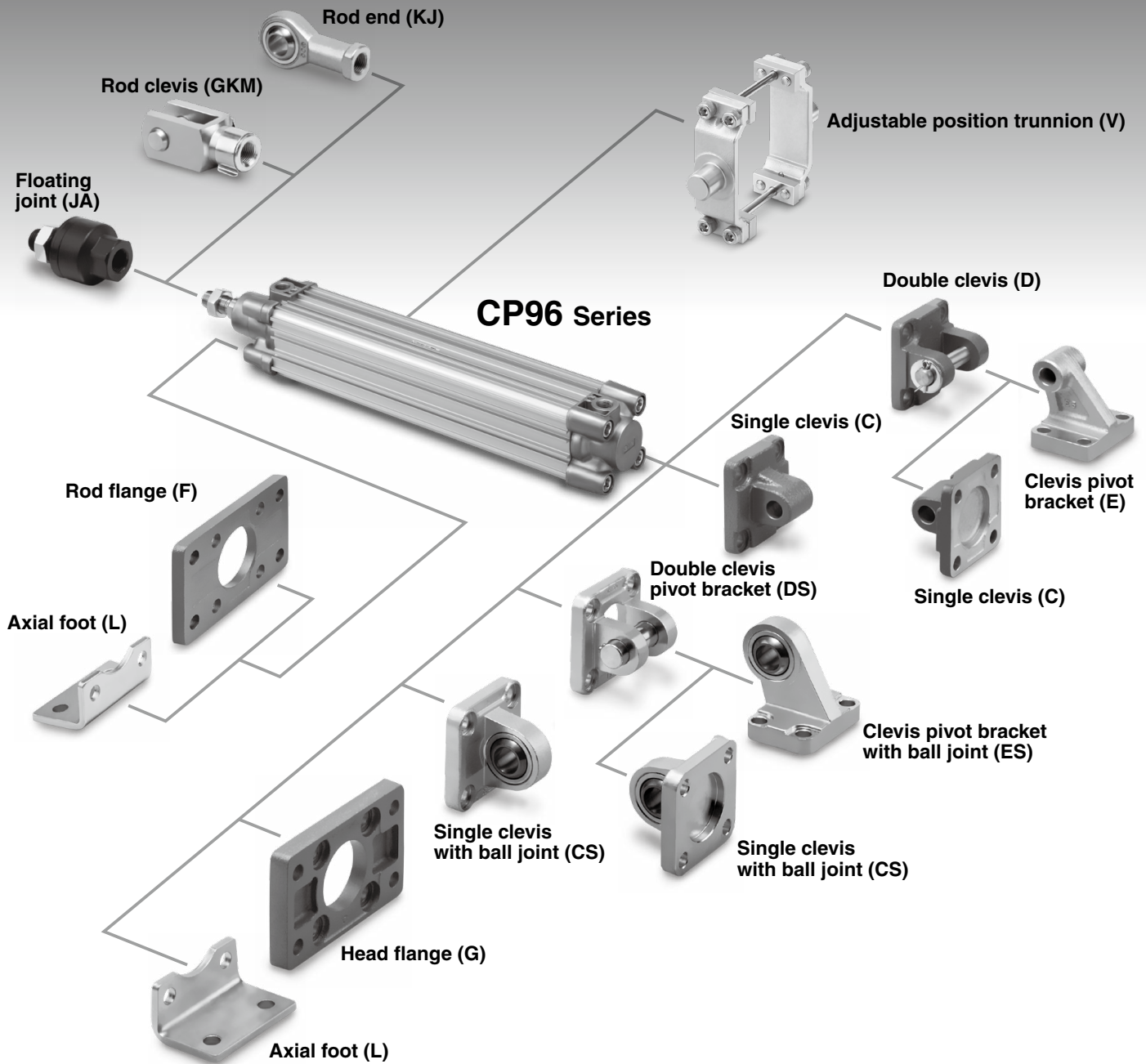
Auto switch can be slid in.

Mountable from both the head end and the rod end.



Various mounting bracket options

Mounting brackets can be combined according to the operating conditions.



Series Variations

ISO Standards	Type	Action	Bore size [mm]							Page
			32	40	50	63	80	100	125	
ISO 15552	Standard CP96 Series 	Double acting, Single rod	●	●	●	●	●	●	●	129
		Double acting, Double rod	●	●	●	●	●	●	●	
	Non-rotating rod CP96K Series 	Double acting, Single rod	●	●	●	●	●	●	●	141
		Double acting, Double rod	●	●	●	●	●	●	●	

- C85
- C85W
- C85-ST
- C85K
- C85K-ST
- C85R
- C75
- C75W
- C75-ST
- C75K
- C75K-ST
- C75R
- CP96
- CP96K
- C96
- C96K
- C96Y
- C55
- Auto Switch
- Made to Order
- Related Products

ISO Standard (15552)

Air Cylinder: Standard Type Double Acting, Single/Double Rod



CP96 Series

ø32, ø40, ø50, ø63, ø80, ø100, ø125



How to Order

CP96S **B** **32** - **100** **C** **J** **W** - []

With auto switch **CP96SD** **B** **32** - **100** **C** **J** **W** - **M9BW** **S** - []

With auto switch (Built-in magnet)

Mounting

B	Basic
L	Axial foot
F	Rod flange
G	Head flange
C	Single clevis
D	Double clevis
V	Adjustable position trunnion

* Mounting brackets are shipped together, but not assembled.

Bore size

32	32 mm
40	40 mm
50	50 mm
63	63 mm
80	80 mm
100	100 mm
125	125 mm

Cylinder stroke [mm]
Refer to "Standard Strokes" on page 130.

Cushion

Symbol	Cushion	Bore size [mm]
C	Air cushion on both ends + Bumper cushion	ø32 to ø100
Nil	Air cushion	ø125

Rod boot

Nil	Without rod boot
J	Nylon tarpaulin (One end)
JJ	Nylon tarpaulin (Both ends)
K	Heat-resistant tarpaulin (One end)
KK	Heat-resistant tarpaulin (Both ends)

Number of auto switches

Nil	2
S	1
3	3
n	n

Auto switch

Nil	Without auto switch
------------	---------------------

* For applicable auto switches, refer to the table below.

Rod

Nil	Single rod
W	Double rod

Made to Order
Refer to page 130 for details.

Applicable Auto Switches/Refer to the Web Catalog or Best Pneumatics for further information on auto switches.

Type	Special function	Electrical entry	Indicator light	Wiring (Output)	Load voltage		Auto switch model	Lead wire length [m]				Pre-wired connector	Applicable load		
					DC	AC		0.5 (Nil)	1 (M)	3 (L)	5 (Z)		IC circuit	Relay, PLC	
Solid state auto switch	—	Grommet	No	3-wire (NPN)	24 V	5 V, 12 V	—	M9N	●	●	●	○	○	IC circuit	Relay, PLC
				3-wire (PNP)				M9P	●	●	●	○	○		
				2-wire				M9B	●	●	●	○	○		
	Diagnostic indication (2-color indicator)	Grommet	Yes	3-wire (NPN)	24 V	5 V, 12 V	—	M9NW	●	●	●	○	○	IC circuit	
				3-wire (PNP)				M9PW	●	●	●	○	○		
				2-wire				M9BW	●	●	●	○	○		
	Water-resistant (2-color indicator)	Grommet	No	3-wire (NPN)	24 V	5 V, 12 V	—	M9NA *1	○	○	●	○	○	IC circuit	
				3-wire (PNP)				M9PA *1	○	○	●	○	○		
				2-wire				M9BA *1	○	○	●	○	○		
Reed auto switch	—	Grommet	Yes	3-wire (NPN equivalent)	24 V	12 V	100 V or less	A96	●	—	●	—	—	IC circuit	
				2-wire				A93	●	●	●	●	—		
								A90	●	—	●	—	—		

*1 Water-resistant type auto switches can be mounted on the above models, but SMC cannot guarantee water resistance.

* Lead wire length symbols: 0.5 m Nil (Example) M9NW
 1 m M (Example) M9NWM
 3 m L (Example) M9NWL
 5 m Z (Example) M9NWZ

* Solid state auto switches marked with "○" are produced upon receipt of order.

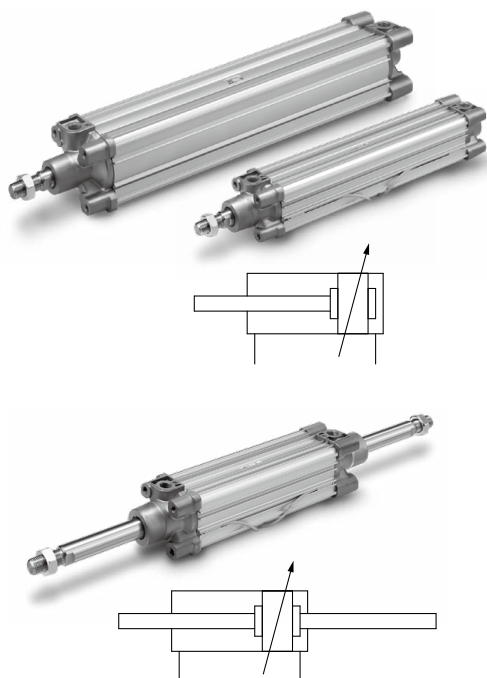
* Since there are other applicable auto switches than listed above, refer to page 146 for details.

* The D-A9□/M9□/M9□W/M9□A auto switches are shipped together, but not assembled.

* The D-Y59A, Y69A, Y7P, Y7□W, Z7□, Z80 cannot be mounted on the CP96 series.

Moreover, the D-M9□□ and A9□ auto switches cannot be mounted on square groove of the CP96 series.

Specifications



Bore size [mm]	32	40	50	63	80	100	125
Action	Double acting						
Fluid	Air						
Proof pressure	1.5 MPa						
Max. operating pressure	1.0 MPa						
Min. operating pressure	0.05 MPa						
Ambient and fluid temperatures	Without auto switch: -20 to 70°C (No freezing) With auto switch: -10 to 60°C (No freezing)						
Lubrication	Not required (Non-lube)						
Operating piston speed	50 to 1000 mm/s						50 to 700 mm/s
Allowable stroke tolerance	Up to 500						+1.0 0
	501 to 1000						+1.4 0
	1001 to 1500						+1.8 0
	1501 to 2000						+2.2 0
Cushion	Air cushion on both ends + Bumper cushion						Air cushion
Port size	G 1/8	G 1/4	G 1/4	G 3/8	G 3/8	G 1/2	G 1/2
Mounting	Basic, Axial foot, Rod flange, Head flange, Single clevis, Double clevis, Center trunnion, Adjustable position trunnion						

Standard Strokes

Bore size [mm]	Standard stroke [mm]	Max. stroke
32	25, 50, 80, 100, 125, 160, 200, 250, 320, 400, 500	2000
40	25, 50, 80, 100, 125, 160, 200, 250, 320, 400, 500	2000
50	25, 50, 80, 100, 125, 160, 200, 250, 320, 400, 500, 600	2000
63	25, 50, 80, 100, 125, 160, 200, 250, 320, 400, 500, 600	2000
80	25, 50, 80, 100, 125, 160, 200, 250, 320, 400, 500, 600, 700, 800	2000
100	25, 50, 80, 100, 125, 160, 200, 250, 320, 400, 500, 600, 700, 800	2000
125	—	2000

- * Aside from the standard strokes, intermediate strokes are also available in 1 mm increments and are produced upon receipt of order.
- * Strokes exceeding the max. stroke are available as a special order.

Accessories

Mounting		Basic	Foot	Rod flange	Head flange	Single clevis	Double clevis	Adjustable position trunnion
Standard	Rod end nut	●	●	●	●	●	●	●
	Clevis pin	—	—	—	—	—	●	—
Option	Rod end	●	●	●	●	●	●	●
	Rod clevis	●	●	●	●	●	●	●
	Rod boot	●	●	●	●	●	●	●

- * Do not use a rod end (or floating joint) together with a single clevis with a ball joint (or clevis pivot bracket with a ball joint).
- * Refer to pages 137 to 140 for dimensions and part numbers of the accessories.



Made to Order
 (For details, refer to pages 148 to 155.)

Symbol	Specifications
-XA□	Change of rod end shape
-XB6	Heat-resistant cylinder (-10 to 150°C)
-XC4	With heavy duty scraper
-XC7	Tie-rod, tie-rod nut, etc. made of stainless steel
-XC10	Dual stroke cylinder/Double rod type
-XC11	Dual stroke cylinder/Single rod type
-XC22	Fluororubber seal
-XC35	With coil scraper
-XC65	Made of stainless steel (Combination of -XC7 and -XC68)
-XC68	Made of stainless steel (with hard chrome plated piston rod)
-XC85	Grease for food processing equipment
-XC88	Spatter-resistant coil scraper, Lube-retainer, grease for welding (Piston rod: Stainless steel 304)
-XC89	Spatter-resistant coil scraper, Lube-retainer, grease for welding (Piston rod: S45C)

Refer to pages 145 and 146 for cylinders with auto switches.

- Auto Switch Proper Mounting Position (Detection at stroke end)
- Minimum Stroke for Auto Switch Mounting
- Operating Range
- How to Mount and Move the Auto Switch

⚠ Precautions

Be sure to read this before handling the products. Refer to page 219 for safety instructions. For actuator and auto switch precautions, refer to the “Handling Precautions for SMC Products” and the “Operation Manual” on the SMC website: <http://www.smcworld.com>

C85
 C85W
 C85-ST
 C85K
 C85K-ST
 C85R
 C75
 C75W
 C75-ST
 C75K
 C75K-ST
 C75R
 CP96
 CP96K
 C96
 C96K
 C96Y
 C55
 Auto Switch
 Made to Order
 Related Products

CP96 Series

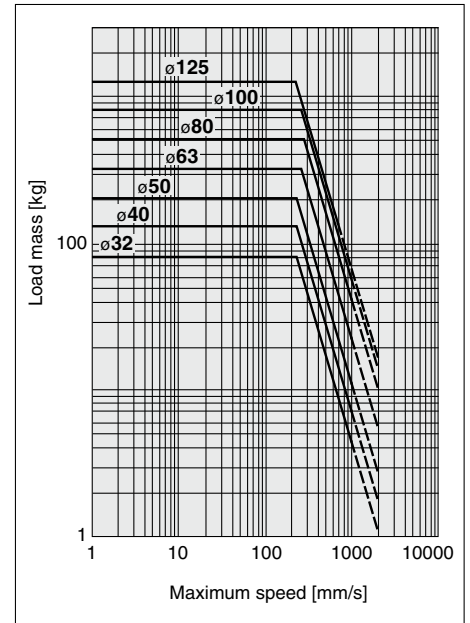
Theoretical Output



Allowable Kinetic Energy

Bore size [mm]	Rod size [mm]	Operating direction	Piston area [mm ²]	Operating pressure [MPa]								
				0.2	0.3	0.4	0.5	0.6	0.7	0.8	0.9	1.0
32	12	OUT	804	161	241	322	402	482	563	643	724	804
		IN	691	138	207	276	346	415	484	553	622	691
40	16	OUT	1257	251	377	503	629	754	880	1006	1131	1257
		IN	1056	211	317	422	528	634	739	845	950	1056
50	20	OUT	1963	393	589	785	982	1178	1374	1570	1767	1963
		IN	1649	330	495	660	825	989	1154	1319	1484	1649
63	20	OUT	3117	623	935	1247	1559	1870	2182	2494	2805	3117
		IN	2803	561	841	1121	1402	1682	1962	2242	2523	2803
80	25	OUT	5027	1005	1508	2011	2514	3016	3519	4022	4524	5027
		IN	4536	907	1361	1814	2268	2722	3175	3629	4082	4536
100	25	OUT	7854	1571	2356	3142	3927	4712	5498	6283	7068	7854
		IN	7363	1473	2209	2945	3682	4418	5154	5890	6627	7363
125	32	OUT	12272	2454	3682	4909	6136	7363	8590	9817	11045	12272
		IN	11468	2294	3440	4587	5734	6881	8027	9174	10321	11468

* Theoretical output [N] = Pressure [MPa] x Piston area [mm²]



Weight (Guide)

Bore size [mm]		32	40	50	63	80	100	125
Basic weight	Basic	0.46	0.66	1.14	1.48	2.42	3.25	6.82
	Foot	0.62	0.86	1.52	1.94	3.31	4.34	9.42
	Flange	0.66	0.89	1.61	2.06	3.72	5.06	10.92
	Single clevis	0.62	0.89	1.51	2.08	3.49	4.98	10.97
	Double clevis	0.66	0.98	1.59	2.19	3.70	5.36	11.07
	Adjustable position trunnion	0.60	0.95	1.47	2.16	3.22	4.80	8.75
Additional weight per 50 mm of stroke	All mounting brackets	0.14	0.18	0.30	0.32	0.49	0.54	0.84
Accessories	Rod end	0.07	0.11	0.22	0.40	0.40	1.20	
	Rod clevis	0.09	0.15	0.34	0.69	1.84		

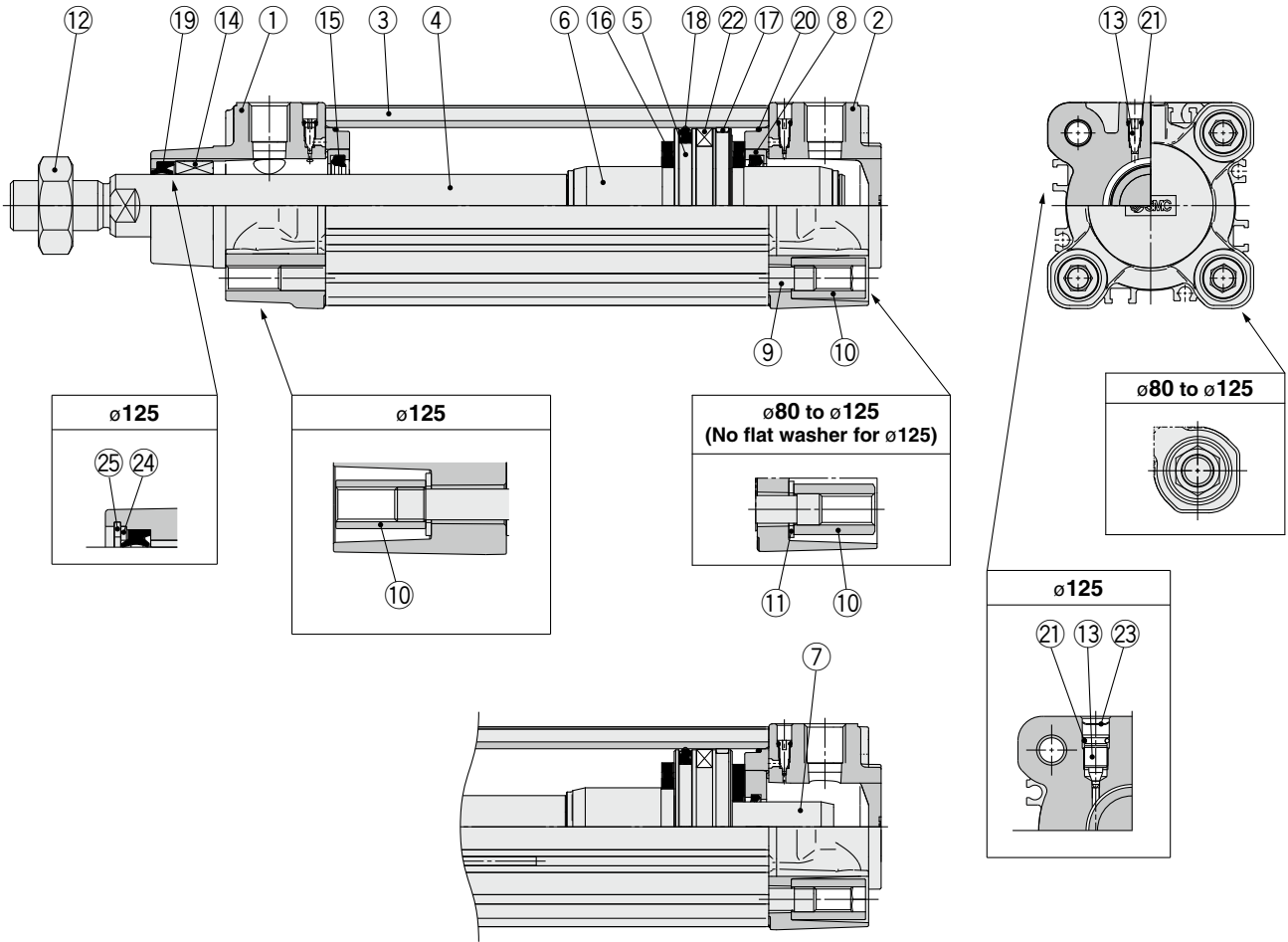
Calculation: Example) **CP96SD40-100C**

- Basic weight 0.98 [kg] (Double clevis, ø40)
- Additional weight 0.18 (kg/50 st)
- Cylinder stroke 100 [st]

$$0.98 + 0.18 \times 100 \div 50 = 1.34 \text{ [kg]}$$

(Example) Find the upper limit of rod end load when an air cylinder of ø63 is operated at 500 mm/s. From a point indicating 500 mm/s on the axis of abscissas, extend a line upward and find a point where it intersects with a line for the 63 mm bore size. Extend a line from the intersection to the left and find a load mass 80 kg.

Construction



Component Parts

No.	Description	Material	Note
1	Rod cover	Aluminum die-cast	
2	Head cover	Aluminum die-cast	
3	Cylinder tube	Aluminum alloy	
4	Piston rod	Carbon steel	
5	Piston	Aluminum alloy	ø32 to ø63, ø125
		Aluminum die-cast	ø80, ø100
6	Cushion ring A	Aluminum alloy	
7	Cushion ring B	Aluminum alloy	
8	Cushion seal holder	Aluminum alloy	ø32 to ø100
9	Tie-rod	Carbon steel	
10	Tie-rod nut	Steel	
11	Flat washer	Steel	ø80, ø100
12	Rod end nut	Steel	
13	Cushion valve	Resin	ø32 to ø100
		Steel wire	ø125
14	Bushing	Bearing alloy	
15	Cushion seal	Urethane	
16	Bumper	Urethane	ø32 to ø100
17	Wear ring	Resin	
18	Piston seal	NBR	
19	Rod seal	NBR	
20	Cylinder tube gasket	NBR	
21	Cushion valve seal	NBR	
22	Magnet		
23	Retaining ring	Steel for spring	ø125
24	Rod seal holder	Stainless steel	ø125
25	Retaining ring	Steel for spring	ø125

Replacement Parts/Seal Kit (Single rod)

Bore size [mm]	Kit no.	Contents
32	CS95-32	Kits include items ⑮, ⑰ to ⑳.
40	CS95-40	
50	CS95-50	
63	CS95-63	
80	CS95-80	
100	CS96-100	
125	CS96-125	

* Seal kits consist of items ⑮, ⑰ to ⑳ and can be ordered by using the seal kit number corresponding to each bore size.

* The seal kit includes a grease pack (10 g for ø32 to ø50, 20 g for ø63 and ø80, 30 g for ø100 and ø125).

Order with the following part number when only the grease pack is needed.
Grease pack part number: GR-S-010 (10 g), GR-S-020 (20 g)

Seal Kit (Double rod)

Bore size [mm]	Kit no.	Contents
32	CS95W-32	Kits include items ⑮, ⑱ to ㉔.
40	CS95W-40	
50	CS95W-50	
63	CS95W-63	
80	CS95W-80	
100	CS96W-100	
125	CS96W-125	

* Seal kits consist of items ⑮, ⑱ to ㉔ and can be ordered by using the seal kit number corresponding to each bore size.

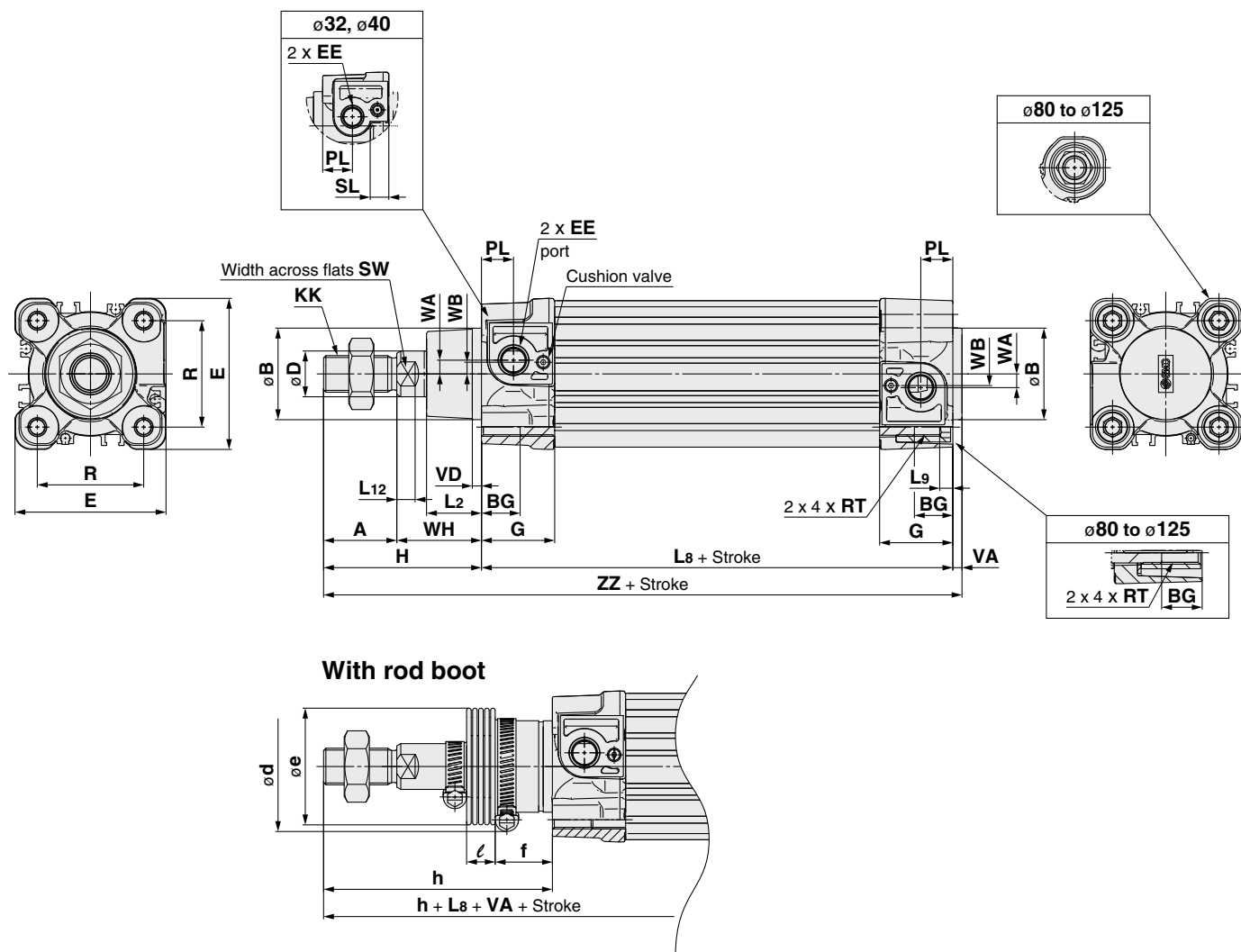
* The seal kit includes a grease pack (10 g for ø32 to ø50, 20 g for ø63 and ø80, 30 g for ø100 and ø125).

Order with the following part number when only the grease pack is needed.
Grease pack part number: GR-S-010 (10 g), GR-S-020 (20 g)

CP96 Series

Dimensions

Basic: CP96S (D) B Bore size - Stroke C (J)



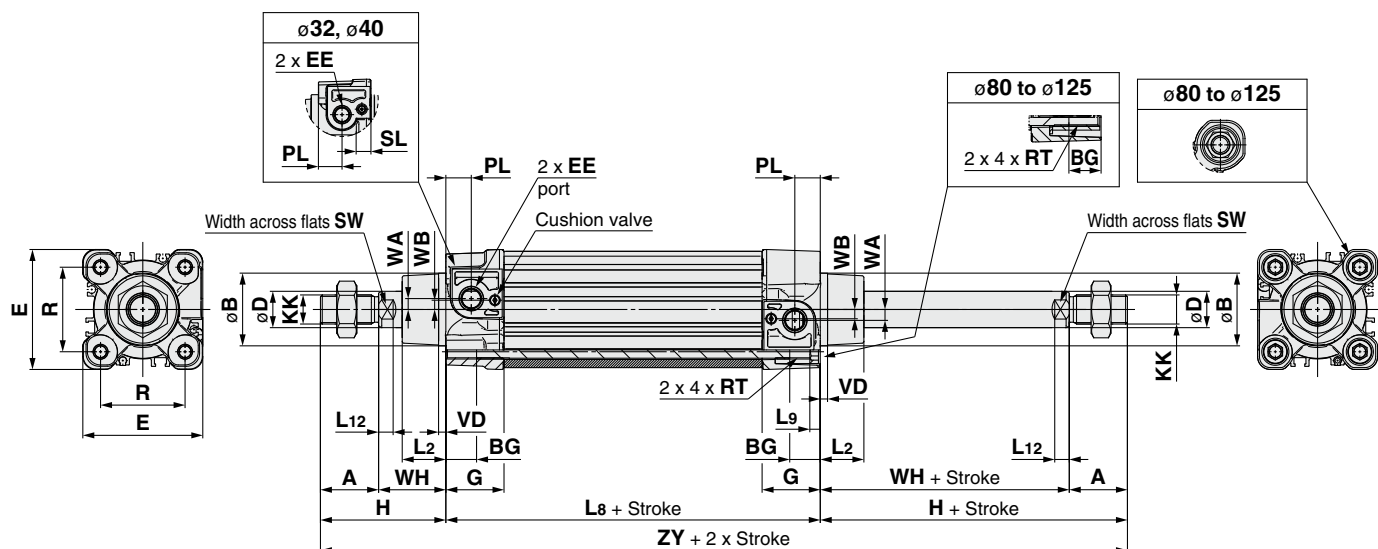
Bore size [mm]	Stroke range*1 [mm]		A	øB d11	BG	øD	E	EE	G	H	KK	L2	L8	L9	L12	PL	R	RT	SL	SW	VA	VD	WA	WB	WH	ZZ
	Without rod boot	With rod boot																								
32	Up to 2000	Up to 1000	22	30	16	12	47	G 1/8	28.9	48	M10 x 1.25	15	94	4	6	13	32.5	M6 x 1	8	10	4	4	4	7	26	146
40	Up to 2000	Up to 1000	24	35	16	16	54	G 1/4	32.6	54	M12 x 1.25	17	105	4	6.5	14	38	M6 x 1	8	13	4	4	5	8.9	30	163
50	Up to 2000	Up to 1000	32	40	16	20	66	G 1/4	32	69	M16 x 1.5	24	106	5	8	14	46.5	M8 x 1.25	—	17	4	4	6	5.1	37	179
63	Up to 2000	Up to 1000	32	45	16	20	77	G 3/8	38.6	69	M16 x 1.5	24	121	5	8	16	56.5	M8 x 1.25	—	17	4	4	9	6.3	37	194
80	Up to 2000	Up to 1000	40	45	17	25	99	G 3/8	38.4	86	M20 x 1.5	30	128	—	10	16	72	M10 x 1.5	—	22	4	4	11.5	6	46	218
100	Up to 2000	Up to 1000	40	55	17	25	118	G 1/2	42.9	91	M20 x 1.5	32	138	—	10	18	89	M10 x 1.5	—	22	4	4	17	10	51	233
125	Up to 2000	Up to 1000	54	60	20	32	144	G 1/2	58	119	M27 x 2	40	160	—	13	19	110	M12 x 1.75	—	27	6	6	17	15	65	285

*1 Minimum stroke for trunnion mounting: 1 mm for bore size 32 to 80, 5 mm for bore size 100, 10 mm for bore size 125

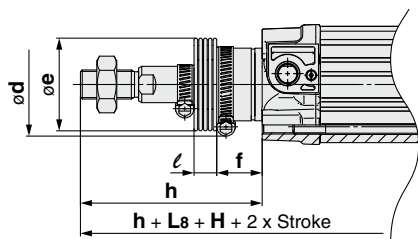
Bore size [mm]	ød	øe	f	ℓ																h															
				1 to 50	51 to 100	101 to 150	151 to 200	201 to 300	301 to 400	401 to 500	501 to 600	601 to 700	701 to 800	801 to 900	901 to 1000	1 to 50	51 to 100	101 to 150	151 to 200	201 to 300	301 to 400	401 to 500	501 to 600	601 to 700	701 to 800	801 to 900	901 to 1000								
32	54	36	23	12.5	25	37.5	50	75	100	125	150	175	200	225	250	75	88	100	113	138	163	188	213	238	263	288	313								
40	54	36	23	12.5	25	37.5	50	75	100	125	150	175	200	225	250	75	88	100	113	138	163	188	213	238	263	288	313								
50	64	51	25	12.5	25	37.5	50	75	100	125	150	175	200	225	250	87	100	112	125	150	175	200	225	250	275	300	325								
63	64	51	25	12.5	25	37.5	50	75	100	125	150	175	200	225	250	87	100	112	125	150	175	200	225	250	275	300	325								
80	68	56	30	12.5	25	37.5	50	75	100	125	150	175	200	225	250	103	116	128	141	166	191	216	241	266	291	316	341								
100	76	56	32	12.5	25	37.5	50	75	100	125	150	175	200	225	250	103	116	128	141	166	191	216	241	266	291	316	341								
125	82	75	40	10	20	30	40	60	80	100	120	140	160	180	200	130	140	150	160	180	200	220	240	260	280	300	320								

Dimensions

Basic: CP96S (D) B Bore size - Stroke C (J) W



With rod boot at one end



Bore size [mm]	Stroke range*1 [mm]	A	øB d11	BG	øD	E	EE	G	H	KK	L2	L8	L9	L12	PL	R	RT	SL	SW	VD	WA	WB	WH	ZY
32	Up to 1000	22	30	16	12	47	G 1/8	28.9	48	M10 x 1.25	15	94	4	6	13	32.5	M6 x 1	8	10	4	4	7	26	190
40	Up to 1000	24	35	16	16	54	G 1/4	32.6	54	M12 x 1.25	17	105	4	6.5	14	38	M6 x 1	8	13	4	5	8.9	30	213
50	Up to 1000	32	40	16	20	66	G 1/4	32	69	M16 x 1.5	24	106	5	8	14	46.5	M8 x 1.25	—	17	4	6	5.1	37	244
63	Up to 1000	32	45	16	20	77	G 3/8	38.6	69	M16 x 1.5	24	121	5	8	16	56.5	M8 x 1.25	—	17	4	9	6.3	37	259
80	Up to 1000	40	45	17	25	99	G 3/8	38.4	86	M20 x 1.5	30	128	—	10	16	72	M10 x 1.5	—	22	4	11.5	6	46	300
100	Up to 1000	40	55	17	25	118	G 1/2	42.9	91	M20 x 1.5	32	138	—	10	18	89	M10 x 1.5	—	22	4	17	10	51	320
125	Up to 1000	54	60	20	32	144	G 1/2	58	119	M27 x 2	40	160	—	13	19	110	M12 x 1.75	—	27	6	17	15	65	398

*1 Minimum stroke for trunnion mounting: 1 mm for bore size 32 to 80, 5 mm for bore size 100, 10 mm for bore size 125

Bore size [mm]	ød	øe	f	l												h											
				1 to 50	51 to 100	101 to 150	151 to 200	201 to 300	301 to 400	401 to 500	501 to 600	601 to 700	701 to 800	801 to 900	901 to 1000	1 to 50	51 to 100	101 to 150	151 to 200	201 to 300	301 to 400	401 to 500	501 to 600	601 to 700	701 to 800	801 to 900	901 to 1000
32	54	36	23	12.5	25	37.5	50	75	100	125	150	175	200	225	250	75	88	100	113	138	163	188	213	238	263	288	313
40	54	36	23	12.5	25	37.5	50	75	100	125	150	175	200	225	250	75	88	100	113	138	163	188	213	238	263	288	313
50	64	51	25	12.5	25	37.5	50	75	100	125	150	175	200	225	250	87	100	112	125	150	175	200	225	250	275	300	325
63	64	51	25	12.5	25	37.5	50	75	100	125	150	175	200	225	250	87	100	112	125	150	175	200	225	250	275	300	325
80	68	56	30	12.5	25	37.5	50	75	100	125	150	175	200	225	250	103	116	128	141	166	191	216	241	266	291	316	341
100	76	56	32	12.5	25	37.5	50	75	100	125	150	175	200	225	250	103	116	128	141	166	191	216	241	266	291	316	341
125	82	75	40	10	20	30	40	60	80	100	120	140	160	180	200	130	140	150	160	180	200	220	240	260	280	300	320

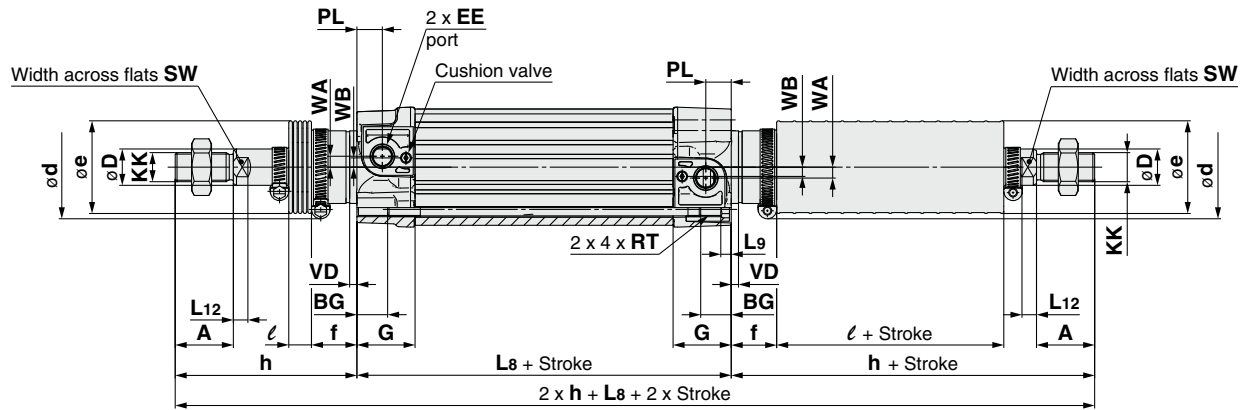
C85
 C85W
 C85-ST
 C85K
 C85K-ST
 C85R
 C75
 C75W
 C75-ST
 C75K
 C75K-ST
 C75R
CP96
 CP96K
 C96
 C96K
 C96Y
 C55
 Auto Switch
 Made to Order
 Related Products

CP96 Series

Dimensions

Basic: CP96S (D) B Bore size - Stroke C (JJ) W

With rod boot at both ends



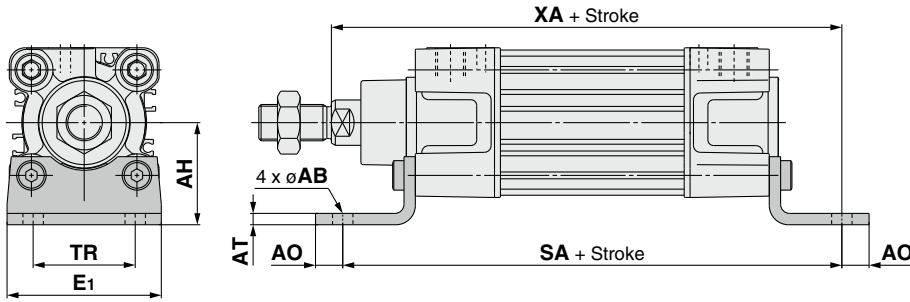
Bore size [mm]	Stroke range*1 [mm]	A	BG	øD	E	EE	G	KK	L8	L9	L12	PL	R	RT	SL	SW	VD	WA	WB
32	Up to 1000	22	16	12	47	G 1/8	28.9	M10 x 1.25	94	4	6	13	32.5	M6 x 1	8	10	4	4	7
40	Up to 1000	24	16	16	54	G 1/4	32.6	M12 x 1.25	105	4	6.5	14	38	M6 x 1	8	13	4	5	8.9
50	Up to 1000	32	16	20	66	G 1/4	32	M16 x 1.5	106	5	8	14	46.5	M8 x 1.25	—	17	4	6	5.1
63	Up to 1000	32	16	20	77	G 3/8	38.6	M16 x 1.5	121	5	8	16	56.5	M8 x 1.25	—	17	4	9	6.3
80	Up to 1000	40	17	25	99	G 3/8	38.4	M20 x 1.5	128	—	10	16	72	M10 x 1.5	—	22	4	11.5	6
100	Up to 1000	40	17	25	118	G 1/2	42.9	M20 x 1.5	138	—	10	18	89	M10 x 1.5	—	22	4	17	10
125	Up to 1000	54	20	32	144	G 1/2	58	M27 x 2	160	—	13	19	110	M12 x 1.75	—	27	6	17	15

*1 Minimum stroke for trunnion mounting: 1 mm for bore size 32 to 80, 5 mm for bore size 100, 10 mm for bore size 125

Bore size [mm]	ød	øe	f	ℓ																h															
				1 to 50	51 to 100	101 to 150	151 to 200	201 to 300	301 to 400	401 to 500	501 to 600	601 to 700	701 to 800	801 to 900	901 to 1000	1 to 50	51 to 100	101 to 150	151 to 200	201 to 300	301 to 400	401 to 500	501 to 600	601 to 700	701 to 800	801 to 900	901 to 1000								
32	54	36	23	12.5	25	37.5	50	75	100	125	150	175	200	225	250	75	88	100	113	138	163	188	213	238	263	288	313								
40	54	36	23	12.5	25	37.5	50	75	100	125	150	175	200	225	250	75	88	100	113	138	163	188	213	238	263	288	313								
50	64	51	25	12.5	25	37.5	50	75	100	125	150	175	200	225	250	87	100	112	125	150	175	200	225	250	275	300	325								
63	64	51	25	12.5	25	37.5	50	75	100	125	150	175	200	225	250	87	100	112	125	150	175	200	225	250	275	300	325								
80	68	56	30	12.5	25	37.5	50	75	100	125	150	175	200	225	250	103	116	128	141	166	191	216	241	266	291	316	341								
100	76	56	32	12.5	25	37.5	50	75	100	125	150	175	200	225	250	103	116	128	141	166	191	216	241	266	291	316	341								
125	82	75	40	10	20	30	40	60	80	100	120	140	160	180	200	130	140	150	160	180	200	220	240	260	280	300	320								

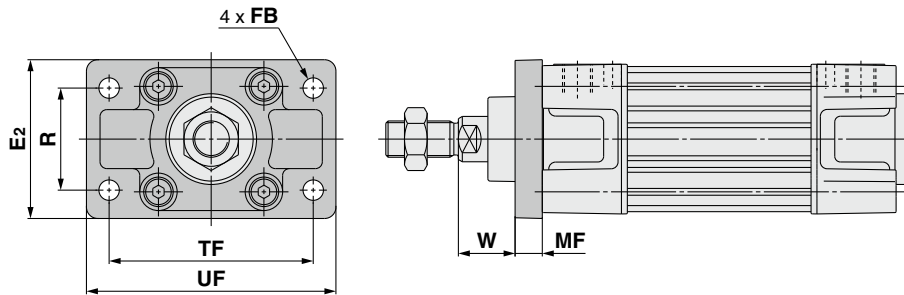
Dimensions: With Mounting Bracket (Dimensions are common to single rod and double rod.)

Axial foot (L)



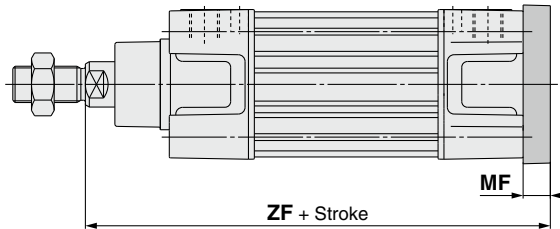
Bore size [mm]	E1	TR	AH	AO	AT	AB	SA	XA
32	48	32	32	10	4.5	7	142	144
40	55	36	36	11	4.5	10	161	163
50	68	45	45	12	5.5	10	170	175
63	80	50	50	12	5.5	10	185	190
80	100	63	63	14	6.5	12	210	215
100	120	75	71	16	6.5	14.5	220	230
125	Max. 157	90	90	Max. 25	8	16	250	270

Rod flange (F)



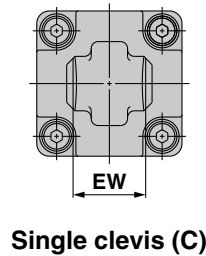
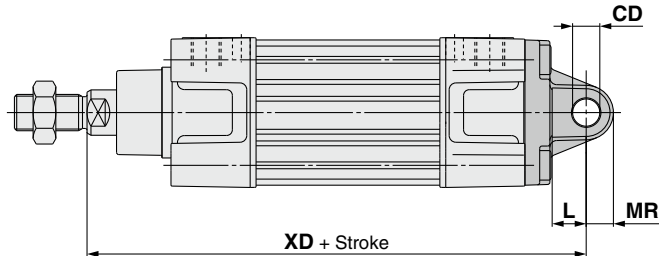
Bore size [mm]	R	TF	FB	E2	UF	W	MF
32	32	64	7	50	79	16	10
40	36	72	9	55	90	20	10
50	45	90	9	70	110	25	12
63	50	100	9	80	120	25	12
80	63	126	12	100	153	30	16
100	75	150	14	120	178	35	16
125	90	180	16	Max. 157	Max. 224	45	20

Head flange (G)

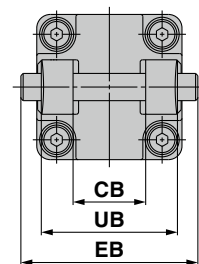


Bore size [mm]	MF	ZF
32	10	130
40	10	145
50	12	155
63	12	170
80	16	190
100	16	205
125	20	245

**Single clevis (C)
 Double clevis (D)**



Single clevis (C)



Double clevis (D)

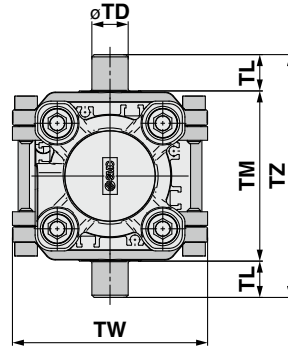
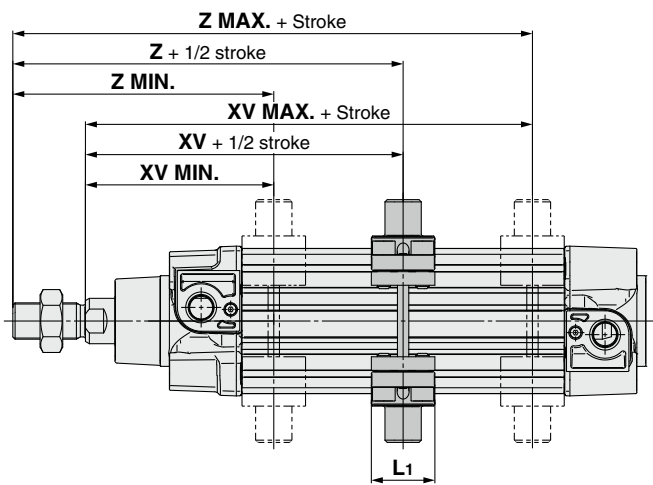
Bore size [mm]	EW	CD H9	L	MR	XD	UB h14	CB H14	EB
32	26 ^{-0.2} _{-0.6}	10	12	9.5	142	45	26	65
40	28 ^{-0.2} _{-0.6}	12	15	12	160	52	28	75
50	32 ^{-0.2} _{-0.6}	12	15	12	170	60	32	80
63	40 ^{-0.2} _{-0.6}	16	20	16	190	70	40	90
80	50 ^{-0.2} _{-0.6}	16	20	16	210	90	50	110
100	60 ^{-0.2} _{-0.6}	20	25	20	230	110	60	140
125	70 ^{-0.5} _{-1.2}	25	Min. 30	Max. 26	275	130	70	Max. 157

- C85
- C85W
- C85-ST
- C85K
- C85K-ST
- C85R
- C75
- C75W
- C75-ST
- C75K
- C75K-ST
- C75R
- CP96
- CP96K
- C96
- C96K
- C96Y
- C55
- Auto Switch
- Made to Order
- Related Products

CP96 Series

Dimensions: With Mounting Bracket (Dimensions are common to single rod and double rod.)

Adjustable position trunnion (V)



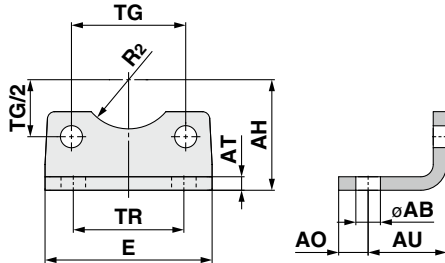
[mm]							
Bore size [mm]	Part no. (Bracket)	TM	TL	øTD e8	TW	L ₁	TZ
32	V5032P	50	12	12	64	25	74
40	V5040P	63	16	16	74	28	95
50	V5050P	75	16	16	86	28	107
63	V5063P	90	20	20	101	36	130
80	V5080P	110	20	20	121	36	150
100	V5100P	132	25	25	144	48	182
125	V5125P	160	25	25	169	48	210

[mm]							
Bore size [mm]	Minimum		Middle		Maximum		Trunnion holding force
	XV MIN.	Z MIN.	XV	Z	XV MAX.	Z MAX.	
32	67.4	89.4	73	95	78.6	100.6	3500 N
40	76.6	100.6	82.5	106.5	87.4	111.4	5000 N
50	83	115	90	122	97	129	5000 N
63	93.6	125.6	97.5	129.5	101.4	133.4	11000 N
80	98.8	138.8	110	150	121.2	161.2	11000 N
100	117.9	157.9	120	160	122.1	162.1	14000 N
125	147	201	145	199	143	197	14000 N

CP96 Series Accessories

Dimensions: Mounting Brackets

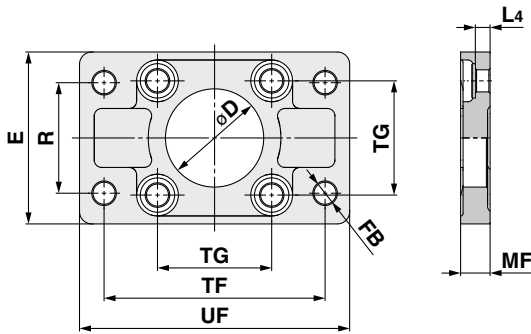
Axial foot (L)



Bore size [mm]	Part no.	AB	TG ± 0.2	E	TR	AO	AU	AH	AT	R ₂	Screw size
32	L5032	7	32.5	48	32	10	24	32	4.5	15	M6 x 16L
40	L5040	10	38	55	36	11	28	36	4.5	17.5	M6 x 16L
50	L5050	10	46.5	68	45	12	32	45	5.5	20	M8 x 20L
63	L5063	10	56.5	80	50	12	32	50	5.5	22.5	M8 x 20L
80	L5080	12	72	100	63	14	41	63	6.5	22.5	M10 x 20L
100	L5100	14.5	89	120	75	16	41	71	6.5	27.5	M10 x 20L
125	L5125	16	110	Max. 157	90	Max. 25	45	90	8	30	M12 x 25L

* Supplied with 2 foot brackets and 4 mounting screws.

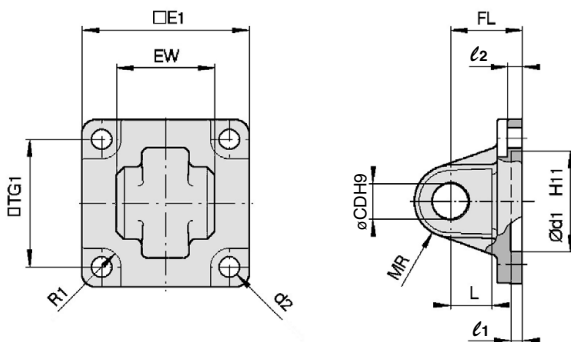
Flange (F, G)



Bore size [mm]	Part no.	D H ₁₁	ϕFB	TG ± 0.2	E	R	MF	TF	UF	L ₄	Screw size
32	F5032	30	7	32.5	50	32	10	64	79	5	M6 x 20L
40	F5040	35	9	38	55	36	10	72	90	5	M6 x 20L
50	F5050	40	9	46.5	70	45	12	90	110	6.5	M8 x 20L
63	F5063	45	9	56.5	80	50	12	100	120	6.5	M8 x 20L
80	F5080	45	12	72	100	63	16	126	153	9	M10 x 25L
100	F5100	55	14	89	120	75	16	150	178	9	M10 x 25L
125	F5125	60	16	110	Max. 157	90	20	180	Max. 224	10.5	M12 x 25L

* Supplied with 4 mounting screws.

Single clevis (C)

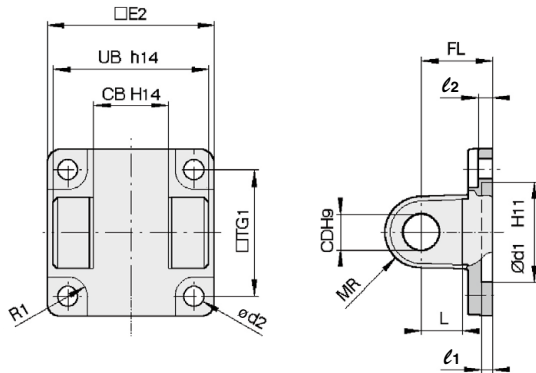


Bore size [mm]	Part no.	E ₁	EW	TG ₁	FL	ℓ_1	L	ℓ_2	ϕd_1	ϕCD	MR	ϕd_2	R ₁
32	C5032	45	26 ^{-0.2} _{-0.6}	32.5	22	5	12	5.5	30	10	9.5	6.6	6.5
40	C5040	51	28 ^{-0.2} _{-0.6}	38	25	5	15	5.5	35	12	12	6.6	6.5
50	C5050	64	32 ^{-0.2} _{-0.6}	46.5	27	5	15	6.5	40	12	12	9	8.5
63	C5063	74	40 ^{-0.2} _{-0.6}	56.5	32	5	20	6.5	45	16	16	9	8.5
80	C5080	94	50 ^{-0.2} _{-0.6}	72	36	5	20	10	45	16	16	11	11
100	C5100	113	60 ^{-0.2} _{-0.6}	89	41	5	25	10	55	20	20	11	12
125	C5125	Max. 157	70 ^{-0.5} _{-1.2}	110	50	7	30	10	60	25	26	13.5	10

* Supplied with 4 mounting screws.

Dimensions: Mounting Brackets, Pivot Brackets for Cylinder Mounting

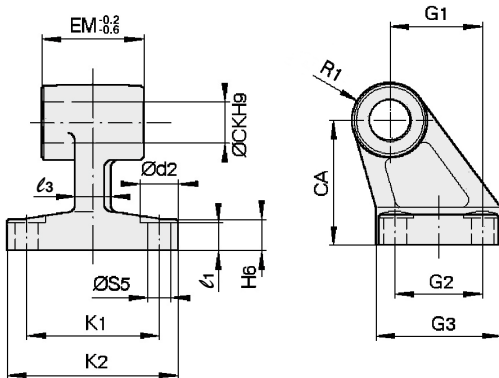
Double clevis (D)



Bore size [mm]	Part no.	TG ₁	FL	ℓ ₁	L	ℓ ₂	Ød ₁	ØCD	MR	Ød ₂	R ₁	E ₂	UB	CB
32	D5032	32.5	22	5	12	5.5	30	10	9.5	6.6	6.5	48	45	26
40	D5040	38	25	5	15	5.5	35	12	12	6.6	6.5	56	52	28
50	D5050	46.5	27	5	15	6.5	40	12	12	9	8.5	64	60	32
63	D5063	56.5	32	5	20	6.5	45	16	16	9	8.5	75	70	40
80	D5080	72	36	5	20	10	45	16	16	11	11	95	90	50
100	D5100	89	41	5	25	10	55	20	20	11	12	115	110	60
125	D5125	110	50	7	30	10	60	25	26	13.5	10	Max. 157	130	70

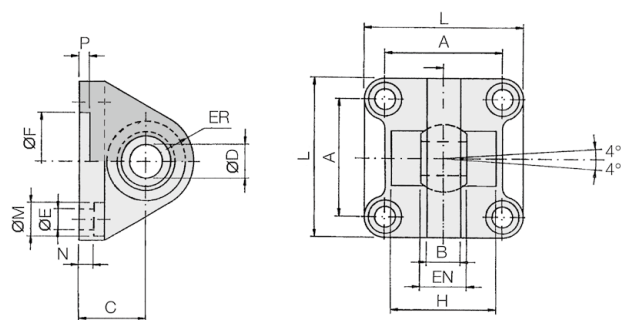
* Supplied with 4 mounting screws, clevis pin, and clevis pin bracket.

Clevis pivot bracket (E)



Bore size [mm]	Part no.	Ød ₂	ØCK	ØS ₅	K ₁	K ₂ (Max.)	ℓ ₃ (Max.)	G ₁	ℓ ₁	G ₂	EM	G ₃ (Max.)	CA	H ₆	R ₁
32	E5032	11	10	6.6	38	51	10	21	7	18	26 ^{-0.2} _{-0.6}	31	32	8	10
40	E5040	11	12	6.6	41	54	10	24	9	22	28 ^{-0.2} _{-0.6}	35	36	10	11
50	E5050	15	12	9	50	65	12	33	11	30	32 ^{-0.2} _{-0.6}	45	45	12	12
63	E5063	15	16	9	52	67	14	37	11	35	40 ^{-0.2} _{-0.6}	50	50	12	15
80	E5080	18	16	11	66	86	18	47	12.5	40	50 ^{-0.2} _{-0.6}	60	63	14	15
100	E5100	18	20	11	76	96	20	55	13.5	50	60 ^{-0.2} _{-0.6}	70	71	15	19
125	E5125	20	25	14	94	124	30	70	17	60	70 ^{-0.5} _{-1.5}	90	90	20	22.5

Single clevis with ball joint (CS)



Bore size [mm]	Part no.	A	B (Max.)	C	ØD _{H7}	EN _{0 -0.1}	ER (Max.)	ØF _{H11}	ØE	L	ØM	N	P	H _{±0.5}
32	CS5032	32.5	10.5	22	10	14	15	30	6.6	45	10.5	5.5	5	—
40	CS5040	38	12	25	12	16	18	35	6.6	55	11	5.5	5	—
50	CS5050	46.5	15	27	16	21	20	40	9	65	15	6.5	5	51
63	CS5063	56.5	15	32	16	21	23	45	9	75	15	6.5	5	—
80	CS5080	72	18	36	20	25	27	45	11	95	18	10	5	70
100	CS5100	89	18	41	20	25	30	55	11	115	18	10	5	—
125	CS5125	110	25	50	30	37	40	60	13.5	140	20	10	7	100

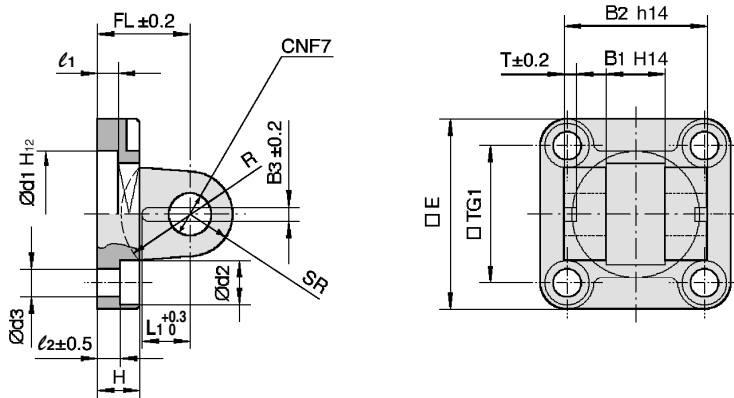
* Supplied with 4 mounting screws.

- C85
- C85W
- C85-ST
- C85K
- C85K-ST
- C85R
- C75
- C75W
- C75-ST
- C75K
- C75K-ST
- C75R
- CP96
- CP96K
- C96
- C96K
- C96Y
- C55
- Auto Switch
- Made to Order
- Related Products

CP96 Series

Dimensions: Pivot Brackets for Cylinder Mounting

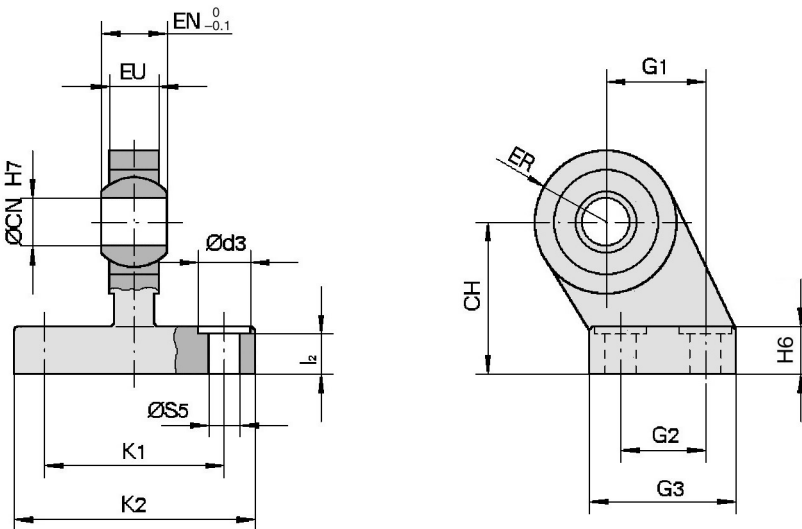
Double clevis pivot bracket (DS)/for ES accessory



Bore size [mm]	Part no.	E	B ₁	B ₂	B ₃	L ₁	TG ₁	T	l ₁ (Min.)	l ₂	FL	H (Max.)	ød ₁	ød ₂	ød ₃	øCN	SR (Max.)	R
32	DS5032	45	14	34	3.3	11.5	32.5	3	5	5.5	22	10	30	10.5	6.6	10	11	17
40	DS5040	55	16	40	4.3	12	38	4	5	5.5	25	10	35	11	6.6	12	13	20
50	DS5050	65	21	45	4.3	14	46.5	4	5	6.5	27	12	40	15	9	16	18	22
63	DS5063	75	21	51	4.3	14	56.5	4	5	6.5	32	12	45	15	9	16	18	25
80	DS5080	95	25	65	4.3	16	72	4	5	10	36	16	45	18	11	20	22	30
100	DS5100	115	25	75	6.3	16	89	4	5	10	41	16	55	18	11	20	22	32
125	DS5125	140	37	97	6.3	24	110	6	7	10	50	20	60	20	13.5	30	30	42

* Supplied with 4 mounting screws, clevis pin, and clevis pin bracket.

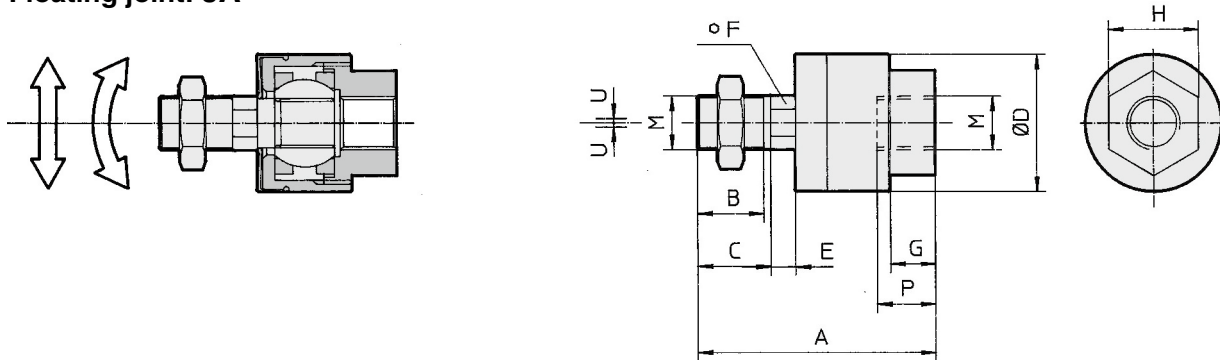
Clevis pivot bracket with ball joint (ES)



Bore size [mm]	Part no.	ød ₃	øCN	øS ₅	K ₁	K ₂ (Max.)	l ₂	G ₁	G ₂	G ₃ (Max.)	EN	EU	CH	H ₆	ER (Max.)
32	ES5032	11	10	6.6	38	51	8.5	21	18	31	14	10.5	32	10	15
40	ES5040	11	12	6.6	41	54	8.5	24	22	35	16	12	36	10	18
50	ES5050	15	16	9	50	65	10.5	33	30	45	21	15	45	12	20
63	ES5063	15	16	9	52	67	10.5	37	35	50	21	15	50	12	23
80	ES5080	18	20	11	66	86	11.5	47	40	60	25	18	63	14	27
100	ES5100	18	20	11	76	96	12.5	55	50	70	25	18	71	15	30
125	ES5125	20	30	13.5	94	124	17	70	60	90	37	25	90	20	40

Dimensions: Piston Rod Accessories

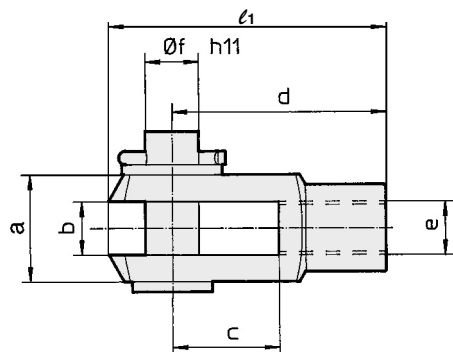
Floating joint: JA



Bore size [mm]	Part no.	M	A	B	C	ØD	E	F	G	H	P	U	Load [kN]	Weight [g]	Angle
32	JA30-10-125	M10 x 1.25	49.5	19.5	—	24	5	8	8	17	9	0.5	2.5	70	±0.5°
40	JA40-12-125	M12 x 1.25	60	20	—	31	6	11	11	22	13	0.75	4.4	160	
50, 63	JA50-16-150	M16 x 1.5	71.5	22	—	41	7.5	14	13.5	27	15	1	11	300	
80, 100	JAH50-20-150	M20 x 1.5	101	28	31	59.5	11.5	24	16	32	18	2	18	1080	
125	JA125-27-200	M27 x 2	123	34	38	66	13	27	20	41	24	2	28	1500	

* Black color

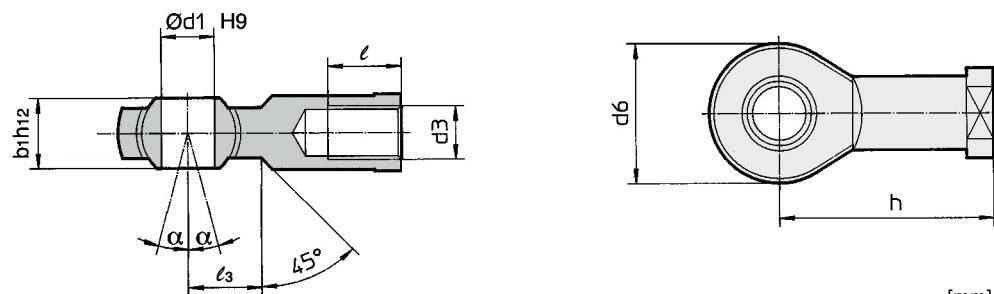
Rod clevis: GKM (ISO 8140)



Bore size [mm]	Part no.	e	b	d	Øf h11 (Shaft)	Øf H9 (Hole)	l1	c (Min.)	a (Max.)
32	GKM10-20	M10 x 1.25	10 ^{+0.5} / _{+0.15}	40	10	10	52	20	20
40	GKM12-24	M12 x 1.25	12 ^{+0.5} / _{+0.15}	48	12	12	62	24	24
50, 63	GKM16-32	M16 x 1.5	16 ^{+0.5} / _{+0.15}	64	16	16	83	32	32
80, 100	GKM20-40	M20 x 1.5	20 ^{+0.5} / _{+0.15}	80	20	20	105	40	40
125	GKM30-54	M27 x 2	30 ^{+0.5} / _{+0.15}	110	30	30	148	54	55

* Supplied with clevis pin and clevis pin bracket.

Rod end: KJ (ISO 8139)



Bore size [mm]	Part no.	d3	Ød1 H9	h	d6 (Max.)	b1 h12	l (Min.)	α	l3
32	KJ10D	M10 x 1.25	10	43	28	14	20	4°	15
40	KJ12D	M12 x 1.25	12	50	32	16	22	4°	17
50, 63	KJ16D	M16 x 1.5	16	64	42	21	28	4°	23
80, 100	KJ20D	M20 x 1.5	20	77	50	25	33	4°	27
125	KJ27D	M27 x 2	30	110	70	37	51	4°	36

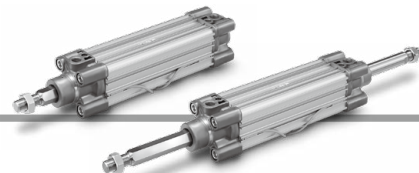
- C85
- C85W
- C85-ST
- C85K
- C85K-ST
- C85R
- C75
- C75W
- C75-ST
- C75K
- C75K-ST
- C75R
- CP96
- CP96K
- C96
- C96K
- C96Y
- C55
- Auto Switch
- Made to Order
- Related Products

ISO (1552) Standard

Air Cylinder: Non-rotating Rod Type Double Acting, Single/Double Rod

CP96K Series

∅32, ∅40, ∅50, ∅63, ∅80, ∅100



How to Order

CP96K **B** **32** - **100** **C** **W**

With auto switch **CP96KD** **B** **32** - **100** **C** **W** - **M9BW** **S**

With auto switch
(Built-in magnet)

Mounting

B	Basic
L	Axial foot
F	Rod flange
G	Head flange
C	Single clevis
D	Double clevis
V	Adjustable position trunnion

* Mounting brackets are shipped together, but not assembled.

Bore size

32	32 mm
40	40 mm
50	50 mm
63	63 mm
80	80 mm
100	100 mm

Number of auto switches

Nil	2
S	1
3	3
n	n

Auto switch

Nil	Without auto switch
------------	---------------------

* For applicable auto switches, refer to the table below.

Rod

Nil	Single rod
W	Double rod

Air cushion on both ends + Bumper cushion

Cylinder stroke [mm]
Refer to "Maximum Strokes" on page 142.

Applicable Auto Switches/Refer to the Web Catalog or Best Pneumatics for further information on auto switches.

Type	Special function	Electrical entry	Indicator light	Wiring (Output)	Load voltage		Auto switch model		Lead wire length [m]				Pre-wired connector	Applicable load		
					DC	AC	Perpendicular	In-line	0.5 (Nil)	1 (M)	3 (L)	5 (Z)		IC circuit	Relay, PLC	
Solid state auto switch	—	Grommet	No	3-wire (NPN)	5 V, 12 V	—	M9NV	M9N	●	●	●	○	○	○	IC circuit	Relay, PLC
				3-wire (PNP)			M9PV	M9P	●	●	●	○	○	○		
				2-wire	12 V	M9BV	M9B	●	●	●	○	○	○			
				3-wire (NPN)	24 V	5 V, 12 V	—	M9NVV	M9NW	●	●	●	○	○	○	
	3-wire (PNP)	M9PVV	M9PW	●				●	●	○	○	○	○	IC circuit		
	Diagnostic indication (2-color indicator)	Grommet	Yes	2-wire	12 V	M9BWW	M9BW	●	●	●	○	○	○	○	—	
				3-wire (NPN)	5 V, 12 V	M9NAV *1	M9NA *1	○	○	●	○	○	○	IC circuit		
				3-wire (PNP)	5 V, 12 V	M9PAV *1	M9PA *1	○	○	●	○	○	○	IC circuit		
2-wire				12 V	M9BAV *1	M9BA *1	○	○	●	○	○	○	—			
Reed auto switch	—	Grommet	Yes	3-wire (NPN equivalent)	—	5 V	—	A96V	A96	●	—	●	—	—	IC circuit	—
				2-wire	24 V	12 V	100 V	A93V *2	A93	●	●	●	●	—	—	—
			No	2-wire	24 V	12 V	100 V or less	A90V	A90	●	—	●	—	—	IC circuit	Relay, PLC

*1 Water-resistant type auto switches can be mounted on the above models, but SMC cannot guarantee water resistance.

Please contact SMC regarding water-resistant types with the above model numbers.

*2 The 1 m lead wire is only applicable to the D-A93.

* Lead wire length symbols: 0.5 m Nil (Example) M9NW
1 m M (Example) M9NWM
3 m L (Example) M9NWL
5 m Z (Example) M9NWX

* Solid state auto switches marked with "○" are produced upon receipt of order.

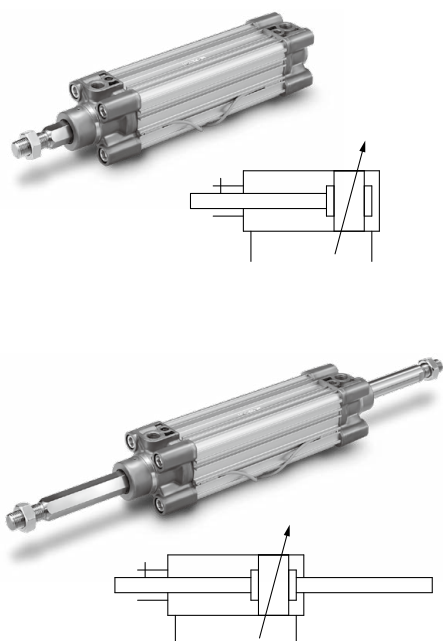
* Since there are other applicable auto switches than listed above, refer to page 146 for details.

* The D-A9□/M9□/M9□W/M9□AL auto switches are shipped together, but not assembled.

* The D-Y59A, Y69A, Y7P, Y7□W, Z7□, Z80 cannot be mounted on the CP96 series.

Moreover, the D-M9□□ and A9□ auto switches cannot be mounted on square groove of the CP96 series.

Specifications



Bore size [mm]	32	40	50	63	80	100
Action	Double acting					
Fluid	Air					
Proof pressure	1.5 MPa					
Maximum operating pressure	1.0 MPa					
Minimum operating pressure	0.05 MPa					
Ambient and fluid temperatures	Without auto switch: -20 to 70°C (No freezing) With auto switch: -10 to 60°C (No freezing)					
Lubrication	Not required (Non-lube)					
Operating piston speed	50 to 1000 mm/s					
Allowable stroke tolerance	Up to 500 stroke: $+2_0$, 501 to 1000 stroke: $+2.4_0$					
Cushion	Air cushion on both ends + Bumper cushion					
Port size	G 1/8	G 1/4	G 1/4	G 3/8	G 3/8	G 1/2
Mounting	Basic, Axial foot, Rod flange, Head flange, Single clevis, Double clevis, Adjustable position trunnion					
Non-rotating accuracy	$\pm 0.5^\circ$		$\pm 0.5^\circ$		$\pm 0.3^\circ$	
Allowable rotational torque [N·m]	0.25	0.45	0.64	0.79		

Maximum Strokes

Bore size [mm]	Maximum stroke
32	500
40	500
50	600
63	600
80	800
100	800

* Aside from the standard strokes, intermediate strokes are also available in 1 mm increments and are produced upon receipt of order.

* Strokes exceeding the max. stroke are available as a special order.

Accessories

Mounting		Basic	Foot	Rod flange	Head flange	Single clevis	Double clevis	Adjustable position trunnion
Standard	Rod end nut	●	●	●	●	●	●	●
	Clevis pin	—	—	—	—	—	●	—
Option	Rod end	●	●	●	●	●	●	●
	Rod clevis	●	●	●	●	●	●	●
	Rod boot	—	—	—	—	—	—	—

* Do not use a rod end (or floating joint) together with a single clevis with a ball joint (or clevis pivot bracket with a ball joint).

* Refer to pages 137 to 140 for dimensions and part numbers of the accessories.

⚠ Precautions

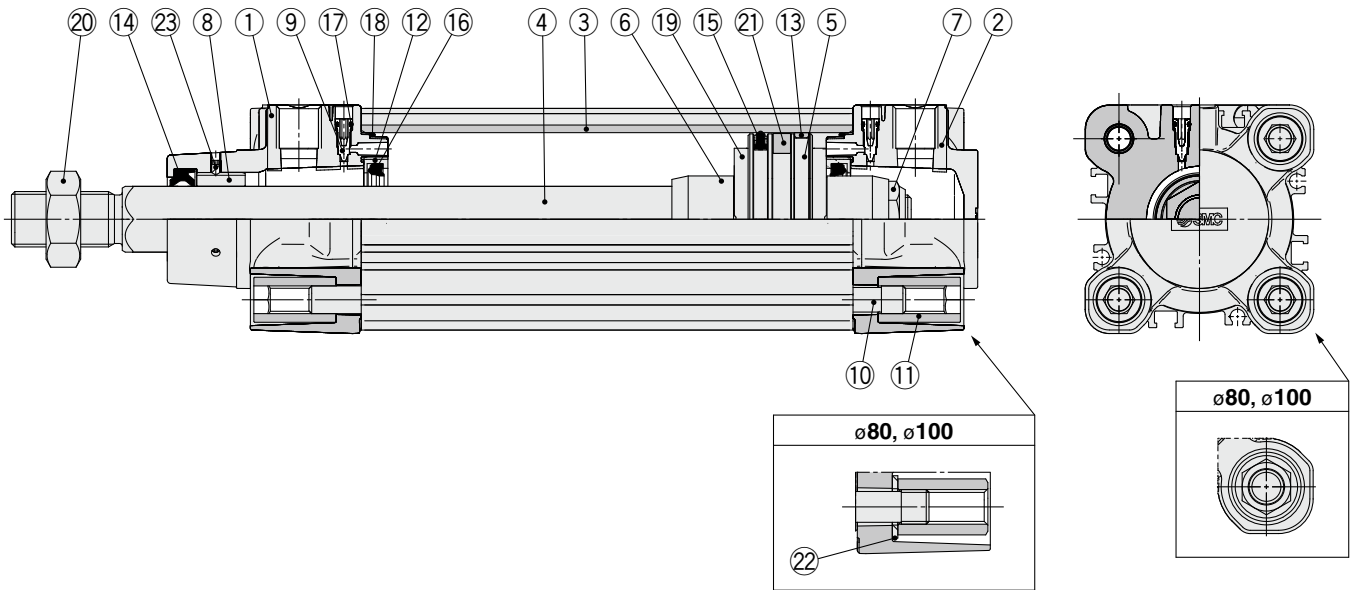
Be sure to read this before handling the products. Refer to page 219 for safety instructions. For actuator and auto switch precautions, refer to the "Handling Precautions for SMC Products" and the "Operation Manual" on the SMC website: <http://www.smcworld.com>

Refer to pages 145 and 146 for cylinders with auto switches.

- Auto Switch Proper Mounting Position (Detection at stroke end)
- Minimum Stroke for Auto Switch Mounting
- Operating Range
- How to Mount and Move the Auto Switch

CP96K Series

Construction



Component Parts

No.	Description	Material	Q'ty	Note
1	Rod cover	Aluminum die-cast	1	Trivalent chromated
2	Head cover	Aluminum die-cast	1	Trivalent chromated
3	Cylinder tube	Aluminum alloy	1	Hard anodized
4	Piston rod	Stainless steel	1	
5	Piston	Aluminum alloy	1	
6	Cushion ring	Rolled steel	2	Trivalent zinc chromated
7	Piston nut	Rolled steel	1	Trivalent zinc chromated
8	Non-rotating guide	Bearing alloy	1	
9	Cushion valve	Resin	2	
10	Tie-rod	Carbon steel	4	Trivalent zinc chromated
11	Tie-rod nut	Rolled steel	8	Trivalent zinc chromated
12	Cushion seal holder	Aluminum alloy	2	Anodized
13	Wear ring	Resin	1	
14	Rod seal	NBR	1	
15	Piston seal	NBR	1	
16	Cushion seal	Urethane	2	
17	Cushion valve seal	NBR	2	
18	Cylinder tube gasket	NBR	2	
19	Bumper	Urethane	2	
20	Rod end nut	Rolled steel	1	Trivalent zinc chromated
21	Magnet	—	(1)	
22	Flat washer	Steel	8	For ø80, ø100
23	Hexagon socket head set screw	Steel wire	2	Trivalent black zinc chromated

Replacement Parts/Seal Kit (Single rod)

Bore size [mm]	Kit no.	Contents
32	CK95-32	Kits include items 13 to 16, 18.
40	CK95-40	
50	CK95-50	
63	CK95-63	
80	CK95-80	
100	CK96-100	

* Seal kits consist of items 13 to 16, 18 and can be ordered by using the seal kit number corresponding to each bore size.
 * The seal kit includes a grease pack (10 g for ø32 to ø50, 20 g for ø63 and ø80, 30 g for ø100).

Order with the following part number when only the grease pack is needed.

Grease pack part number: GR-S-010 (10 g), GR-S-020 (20 g)

Seal Kit (Double rod)

Bore size [mm]	Kit no.	Contents
32	CK95W-32	Kits include items 14 to 16, 18.
40	CK95W-40	
50	CK95W-50	
63	CK95W-63	
80	CK95W-80	
100	CK96W-100	

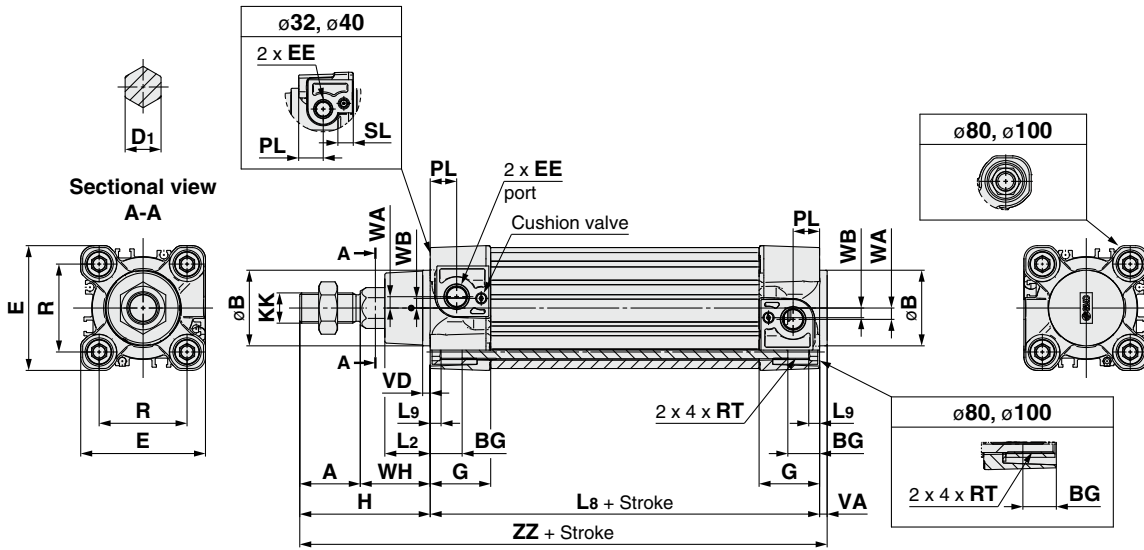
* Seal kits consist of items 14 to 16, 18 and can be ordered by using the seal kit number corresponding to each bore size.
 * The seal kit includes a grease pack (10 g for ø32 to ø50, 20 g for ø63 and ø80, 30 g for ø100).

Order with the following part number when only the grease pack is needed.

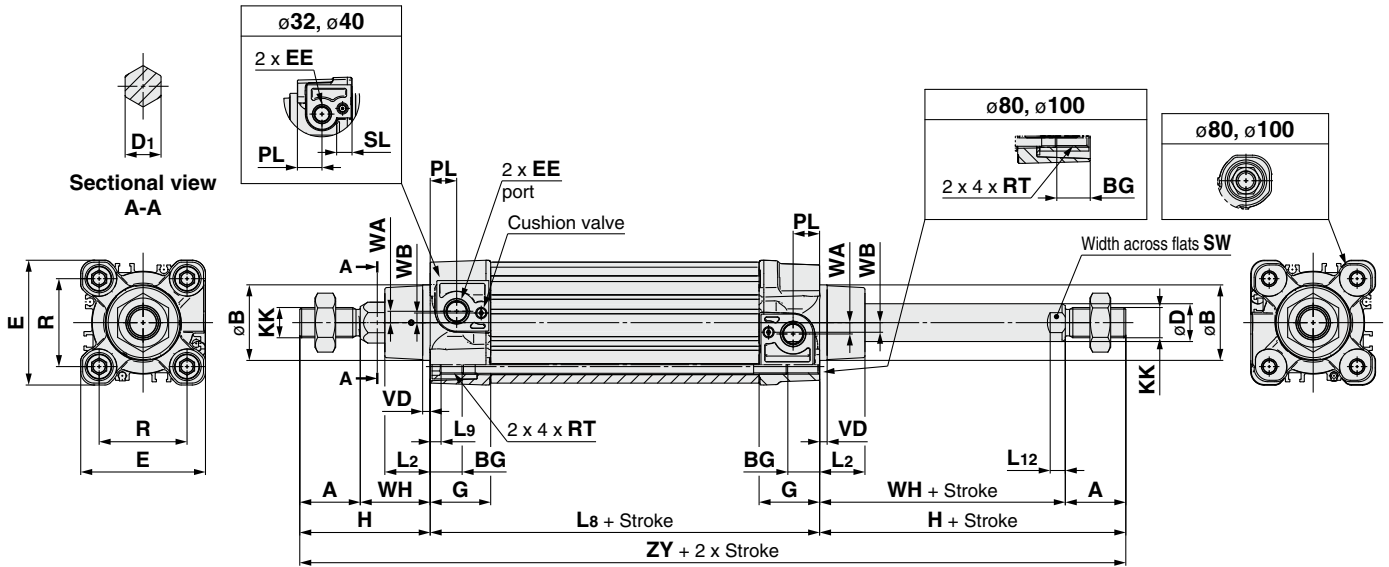
Grease pack part number: GR-S-010 (10 g), GR-S-020 (20 g)

Dimensions (Without mounting bracket)

CP96K (D) B Bore size – Stroke C



CP96K (D) B Bore size – Stroke CW

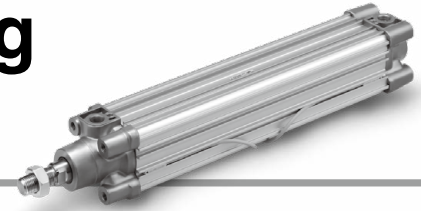


* Mounting brackets are the same as standard type. Refer to page 136 for details.

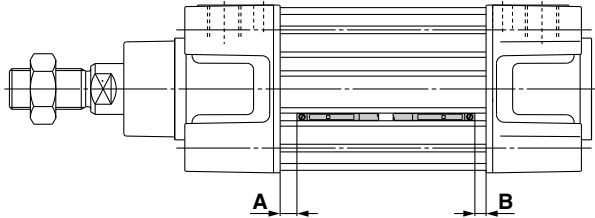
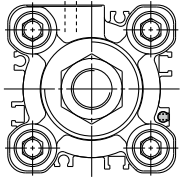
Bore size [mm]	Stroke range [mm]	A	øB d11	D1	øD	EE	PL	RT	L12	KK	SW	G	BG	L8	VD	VA	WA	WB	WH	ZZ	ZY	E	R	L2	L9	H	SL
32	Up to 500	22	30	12.2	12	G 1/8	13	M6 x 1	6	M10 x 1.25	10	28.9	16	94	4	4	4	7	26	146	190	47	32.5	15	4	48	8
40	Up to 500	24	35	14.2	16	G 1/4	14	M6 x 1	6.5	M12 x 1.25	13	32.6	16	105	4	4	5	8.9	30	163	213	54	38	17	4	54	8
50	Up to 600	32	40	19	20	G 1/4	14	M8 x 1.25	8	M16 x 1.5	17	32	16	106	4	4	6	5.1	37	179	244	66	46.5	24	5	69	—
63	Up to 600	32	45	19	20	G 3/8	16	M8 x 1.25	8	M16 x 1.5	17	38.6	16	121	4	4	9	6.3	37	194	259	77	56.5	24	5	69	—
80	Up to 800	40	45	23	25	G 3/8	16	M10 x 1.5	10	M20 x 1.5	22	38.4	17	128	4	4	11.5	6	46	218	300	99	72	30	—	86	—
100	Up to 800	40	55	23	25	G 1/2	18	M10 x 1.5	10	M20 x 1.5	22	42.9	17	138	4	4	17	10	51	233	320	118	89	32	—	91	—

- C85
- C85W
- C85-ST
- C85K
- C85K-ST
- C85R
- C75
- C75W
- C75-ST
- C75K
- C75K-ST
- C75R
- CP96
- CP96K
- C96
- C96K
- C96Y
- C55
- Auto Switch
- Made to Order
- Related Products

CP96 Series Auto Switch Mounting



Auto Switch Proper Mounting Position (Detection at stroke end)



Auto Switch Proper Mounting Position [mm]

Auto switch model	D-M9□(V) D-M9□W(V) D-M9□A(V)		D-A9□(V)	
	A	B	A	B
Bore size 32	14	10.5	10	6.5
40	14	14	10	10
50	15.5	14.5	11.5	10.5
63	16.5	15.5	12.5	11.5
80	21.5	18	17.5	14
100	21.5	19	17.5	15
125	16	16	12	12

- * Adjust the auto switch after confirming the operating conditions in the actual setting.
- * The D-M9□V/M9□WV/M9□AV/A9□V are mountable on ø32 to ø63.

Minimum Stroke for Auto Switch Mounting

Auto switch model	Number of auto switches	32	40	50	63	80	100	125	
D-M9□ D-M9□W	2 (Same surface)	50							
	1, 2 (Different surfaces)	10							
	n	10 + 40 (n - 2)							
D-M9□V D-M9□WV	2 (Same surface)	40							
	1, 2 (Different surfaces)	10							
	n	10 + 30 (n - 2)							
D-M9□A	2 (Same surface)	55	50						
	1, 2 (Different surfaces)	15	10						
	n	15 + 40 (n - 2)	10 + 40 (n - 2)						
D-M9□AV	2 (Same surface)	40							
	1, 2 (Different surfaces)	10							
	n	10 + 30 (n - 2)							
D-A9□	2 (Same surface)	50							
	1, 2 (Different surfaces)	10							
	n	10 + 40 (n - 2)							
D-A9□V	2 (Same surface)	40							
	1, 2 (Different surfaces)	10							
	n	10 + 30 (n - 2)							

* n = 3, 4, 5...

* The D-M9□V/M9□WV/M9□AV/A9□V are mountable on ø32 to ø63.

Operating Range

Auto switch model	Bore size						
	32	40	50	63	80	100	125
D-M9□(V) D-M9□W(V) D-M9□A(V)	4	4	5	6	5.5	6	7
D-A9□(V)	7	8	8.5	9.5	9.5	10.5	12.5

* Values which include hysteresis are for guideline purposes only, they are not a guarantee (assuming approximately ±30% dispersion) and may change substantially depending on the ambient environment.

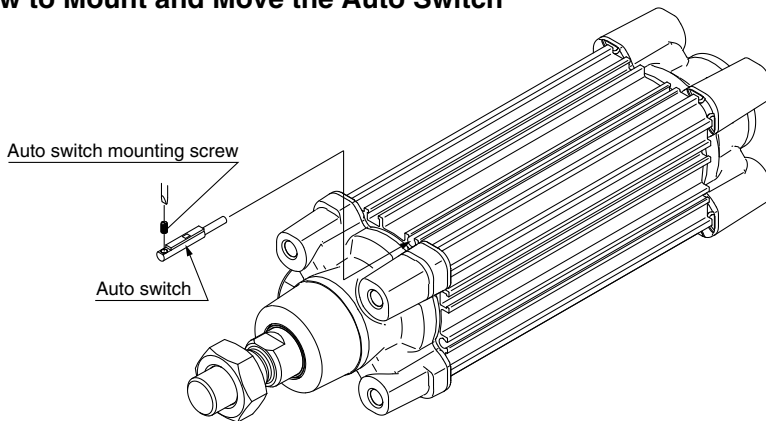
* The D-M9□V/M9□WV/M9□AV/A9□V are mountable on ø32 to ø63.

How to Mount and Move the Auto Switch

<Applicable Auto Switch>

Solid state switch **D-M9N(V)/M9P(V)/M9B(V)**
D-M9NW(V)/M9PW(V)/M9BW(V)
D-M9NA(V)/M9PA(V)/M9BA(V)
 Reed switch..... **D-A90(V)/A93(V)/A96(V)**

How to Mount and Move the Auto Switch



• Use a watchmaker's screwdriver with a handle diameter of 5 to 6 mm when tightening the auto switch mounting screw.

Auto switch mounting screw tightening torque [N·m]

Auto switch model	Tightening torque
D-M9□(V) D-M9□W(V) D-M9□A(V)	0.05 to 0.15
D-A9□(V)	0.10 to 0.20

- * As a guide, turn 90° from the position where it comes to feel tight.
- * The D-M9□ and A9□ cannot be mounted on square groove of the CP96 series.
- * The D-M9□V/M9□WV/M9□AV/A9□V are mountable on ø32 to ø63.

Other than the applicable auto switches listed in “How to Order”, the following auto switches are mountable.

Refer to the **Web Catalog** or Best Pneumatics for the detailed specifications.

Type	Model	Electrical entry	Features	Applicable bore size
Solid state	D-M9NV, M9PV, M9BV	Grommet (Perpendicular)	—	ø32 to ø63
	D-M9NWV, M9PWV, M9B WV		Diagnostic indication (2-color indicator)	
	D-M9NAV, M9PAV, M9BAV		Water-resistant (2-color indicator)	
Reed	D-A93V, A96V		—	
	D-A90V	Without indicator light		

- * Normally closed (NC = b contact) solid state auto switches (D-M9□E(V)) are also available. For details, refer to the **Web Catalog** or Best Pneumatics.
- * With pre-wired connector is also available for solid state auto switches. For details, refer to the **Web Catalog** or Best Pneumatics.

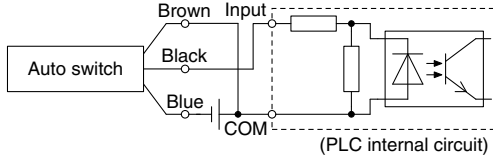
C85
C85W
C85-ST
C85K
C85K-ST
C85R
C75
C75W
C75-ST
C75K
C75K-ST
C75R
CP96
CP96K
C96
C96K
C96Y
C55
Auto Switch
Made to Order
Related Products

Prior to Use

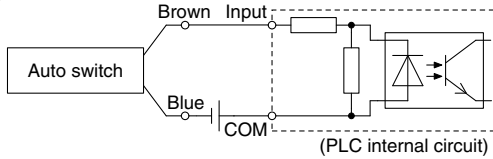
Auto Switch Connections and Examples

Sink Input Specifications

3-wire, NPN

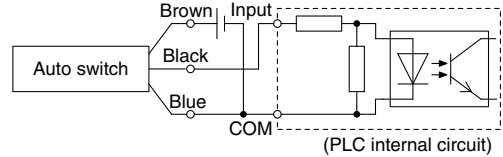


2-wire

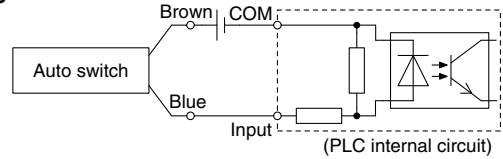


Source Input Specifications

3-wire, PNP



2-wire

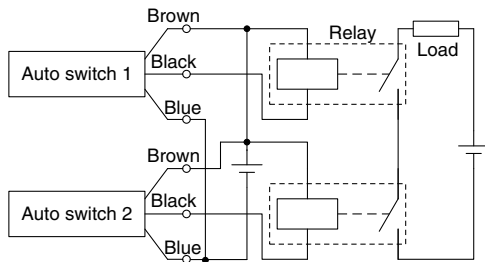


Connect according to the applicable PLC input specifications, as the connection method will vary depending on the PLC input specifications.

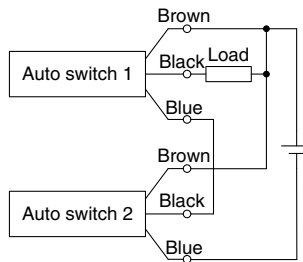
Examples of AND (Series) and OR (Parallel) Connections

* When using solid state auto switches, ensure the application is set up so the signals for the first 50 ms are invalid.

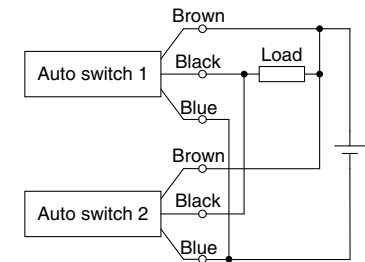
3-wire AND connection for NPN output (Using relays)



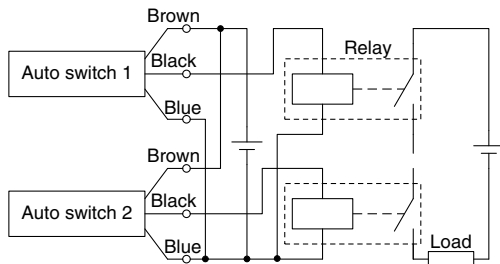
(Performed with auto switches only)



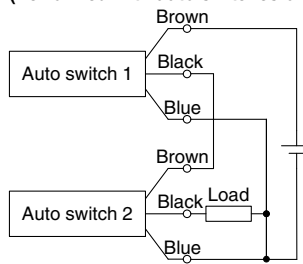
3-wire OR connection for NPN output



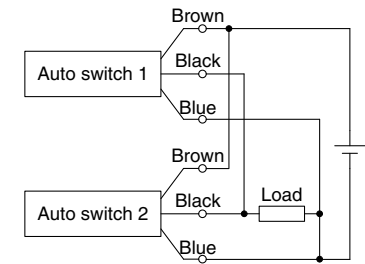
3-wire AND connection for PNP output (Using relays)



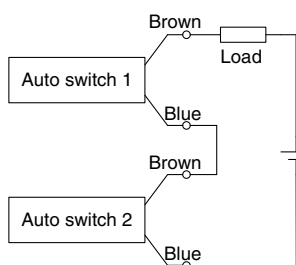
(Performed with auto switches only)



3-wire OR connection for PNP output



2-wire AND connection

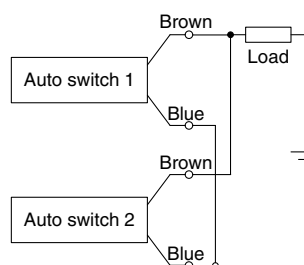


When two auto switches are connected in series, a load may malfunction because the load voltage will decline when in the ON state. The indicator lights will light up when both of the auto switches are in the ON state. Auto switches with a load voltage less than 20 V cannot be used.

$$\begin{aligned} \text{Load voltage at ON} &= \text{Power supply voltage} - \text{Residual voltage} \times 2 \text{ pcs.} \\ &= 24 \text{ V} - 4 \text{ V} \times 2 \text{ pcs.} \\ &= 16 \text{ V} \end{aligned}$$

Example: Power supply is 24 VDC
Internal voltage drop in auto switch is 4 V.

2-wire OR connection



(Solid state)
When two auto switches are connected in parallel, malfunction may occur because the load voltage will increase when in the OFF state.

(Reed)
Because there is no current leakage, the load voltage will not increase when turned OFF. However, depending on the number of auto switches in the ON state, the indicator lights may sometimes grow dim or not light up, due to the dispersion and reduction of the current flowing to the auto switches.

$$\begin{aligned} \text{Load voltage at OFF} &= \text{Leakage current} \times 2 \text{ pcs.} \times \text{Load impedance} \\ &= 1 \text{ mA} \times 2 \text{ pcs.} \times 3 \text{ k}\Omega \\ &= 6 \text{ V} \end{aligned}$$

Example: Load impedance is 3 k Ω .
Leakage current from auto switch is 1 mA.

CP96 Series

Simple Specials/Made to Order



Please contact SMC for detailed specifications, delivery, and prices.

Simple Specials

The following special specifications can be ordered as a simplified Made-to-Order. Please contact your local sales representative for more details.

Symbol	Specifications	CP96 (Standard type)	
		Double acting	
		Single rod	Double rod
-XA0 to 30	Change of rod end shape	●	●

Made to Order

Symbol	Specifications	CP96 (Standard type)	
		Double acting	
		Single rod	Double rod
-XB6	Heat-resistant cylinder (-10 to 150°C)*1	●	●
-XC4	With heavy duty scraper	●	●
-XC7	Tie-rod, tie-rod nut, etc. made of stainless steel	●	●
-XC10	Dual stroke cylinder/Double rod type	●	●
-XC11	Dual stroke cylinder/Single rod type	●	●
-XC22	Fluororubber seal	●	●
-XC35	With coil scraper	●	●
-XC65	Made of stainless steel (Combination of -XC7 and -XC68)	●	●
-XC68	Made of stainless steel (with hard chrome plated piston rod)	●	●
-XC88	Spatter-resistant coil scraper, Lube-retainer, grease for welding (Piston rod: Stainless steel 304)	●	●
-XC89	Spatter-resistant coil scraper, Lube-retainer, grease for welding (Piston rod: S45C)	●	●

*1 The products with an auto switch are not compatible.

- C85
- C85W
- C85-ST
- C85K
- C85K-ST
- C85R
- C75
- C75W
- C75-ST
- C75K
- C75K-ST
- C75R
- CP96
- CP96K
- C96
- C96K
- C96Y
- C55
- Auto Switch
- Made to Order
- Related Products

CP96 Series Simple Specials

The following changes are dealt with through the Simple Specials System.

For details, refer to the Simple Specials
in the Web Catalog.
<http://www.smcworld.com>

1 Change of Rod End Shape

Symbol

-XA0 to -XA30

Applicable Series

Description	Model	Action	Symbol for change of rod end shape
Standard type	CP96S	Double acting, Single rod	XA0 to 30
	CP96S-W	Double acting, Double rod	XA0 to 30

⚠ Precautions

- SMC will make appropriate arrangements if no dimension, tolerance, or finish instructions are given in the diagram.
- Standard dimensions marked with "*" will be as follows to the rod diameter (D). Enter any special dimension you require.
 $D \leq 6 \rightarrow D - 1 \text{ mm}$, $6 < D \leq 25 \rightarrow D - 2 \text{ mm}$, $D > 25 \rightarrow D - 4 \text{ mm}$
- In the case of the double rod type and single acting retraction type, enter the dimensions when the rod is retracted.
- Only one side of a double rod can be manufactured.
- "A0" is the same shape as the standard type. (The specifications of A0 are that only dimensions A and H are changed from the standard type.)

Symbol: A0 	Symbol: A1 	Symbol: A2 	Symbol: A3 	Symbol: A4
Symbol: A5 	Symbol: A6 	Symbol: A7 	Symbol: A8 	Symbol: A9
Symbol: A10 	Symbol: A11 	Symbol: A12 	Symbol: A13 	Symbol: A14
Symbol: A15 	Symbol: A16 	Symbol: A17 	Symbol: A18 	Symbol: A19
Symbol: A20 	Symbol: A21 	Symbol: A22 	Symbol: A23 	Symbol: A24
Symbol: A25 	Symbol: A26 	Symbol: A27 	Symbol: A28 	Symbol: A29
Symbol: A30 				

CP96 Series Made to Order

Please contact SMC for detailed dimensions, specifications, and lead times.



1 Heat-resistant Cylinder (−10 to 150°C)

Symbol

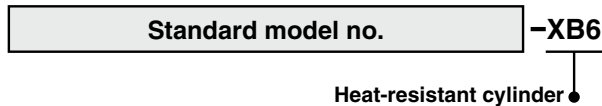
-XB6

Air cylinder which changed the seal material and grease, so that it could be used even at higher temperature up to 150°C.

Applicable Series

Description	Model	Action
Standard type	CP96S	Double acting, Single rod
	CP96S-W	Double acting, Double rod

How to Order



Specifications

Ambient temperature range	−10 to 150°C
Seal material	Fluororubber
Grease	Heat-resistant grease
Specifications other than above and external dimensions	Same as standard type

- * Operate without lubrication from a pneumatic system lubricator.
- * Please contact SMC for details on the maintenance intervals for this cylinder, which differ from those of the standard cylinder.
- * In principle, it is impossible to make built-in magnet type and the one with auto switch.
But, as for the one with auto switch, and the heat-resistant cylinder with heat-resistant auto switch, since it will be differed depending on the series, please contact SMC.
- * Piston speed is ranged from 50 to 500 mm/s.

Warning Precautions

Be aware that smoking cigarettes etc. after your hands have come into contact with the grease used in this cylinder can create a gas that is hazardous to humans.

2 With Heavy Duty Scraper

Symbol

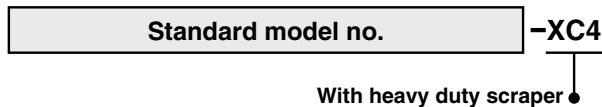
-XC4

It is suitable for using cylinders under the environment, where there are much dusts in a surrounding area by using a heavy duty scraper on the wiper ring, or using cylinders under earth and sand exposed to the die-casted equipment, construction machinery, or industrial vehicles.

Applicable Series

Description	Model	Action	Note
Standard type	CP96S	Double acting, Single rod	ø32 to ø100
	CP96S-W	Double acting, Double rod	ø32 to ø100

How to Order



Specifications: Same as standard type

Dimensions: Same as standard type

Caution

Do not replace heavy duty scrapers.

Since heavy duty scrapers are press-fit, do not replace the cover only, but rather the entire rod cover assembly.

C85

C85W

C85-ST

C85K

C85K-ST

C85R

C75

C75W

C75-ST

C75K

C75K-ST

C75R

CP96

CP96K

C96

C96K

C96Y

C55

Auto Switch

Made to Order

Related Products

CP96 Series

3 Tie-rod, Tie-rod Nut, etc. Made of Stainless Steel

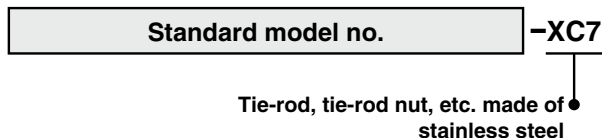
Symbol
-XC7

When using in locations where the rust generation or corrosion likelihood exists, the standard parts material have been partly changed to the stainless steel.

Applicable Series

Description	Model	Action
Standard type	CP96S	Double acting, Single rod
	CP96S-W	Double acting, Double rod

How to Order



Specifications

Parts changed to stainless steel	Tie-rod, Tie-rod nut, Mounting bracket nut, Spring washer, Lock nut
Specifications other than above	Same as standard type
Dimensions	Same as standard type

* For bore size $\phi 125$, the cushion valve, rod seal holder, and retaining ring will also be stainless steel.

4 Dual Stroke Cylinder/Double Rod Type

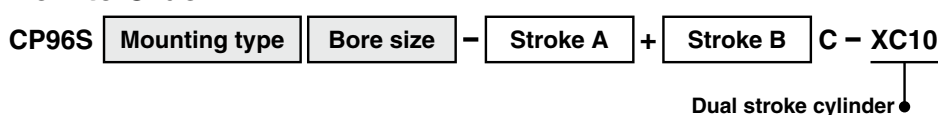
Symbol
-XC10

Two cylinders are constructed as one cylinder in a back-to-back configuration allowing the cylinder stroke to be controlled in three steps.

Applicable Series

Description	Model	Action	Note
Standard type	CP96S	Double acting, Single rod	Excluding clevis type

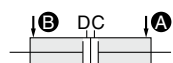
How to Order



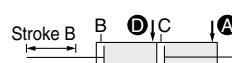
Specifications

Maximum manufacturable stroke [mm]	1000
------------------------------------	------

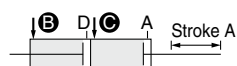
Function



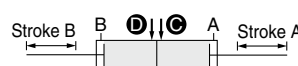
When air pressure is supplied to ports **A** and **B**, both strokes A and B retract.



When air pressure is supplied to ports **A** and **D**, B out strokes.

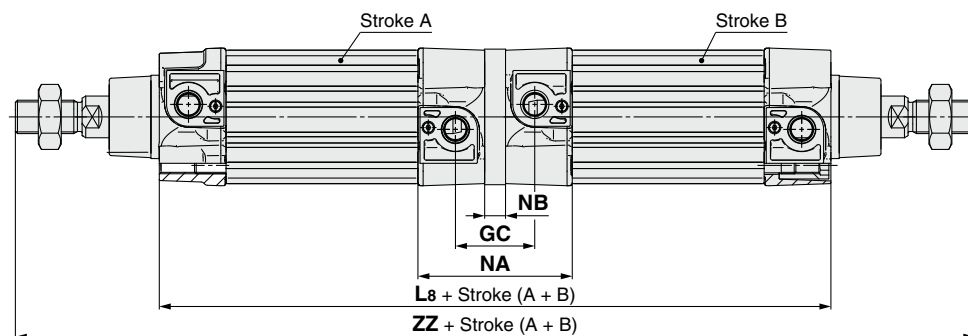


When air pressure is supplied to ports **B** and **C**, A out strokes.



When air pressure is supplied to ports **C** and **D**, both strokes A and B out strokes.

Dimensions (Dimensions other than below are the same as standard type.)



Bore size [mm]	L8	ZZ	NA	NB	GC
32	198	294	67.8	10	36
40	220	328	75.2	10	38
50	222	360	74	10	38
63	252	390	87.2	10	42
80	270	442	90.8	14	46
100	290	472	99.8	14	50
125	334	572	130	14	52

Symbol
-XC11

5 Dual Stroke Cylinder/Single Rod Type

Two cylinders can be integrated by connecting them in line, and the cylinder stroke can be controlled in two stages in both directions.

Applicable Series

Description	Model	Action
Standard type	CP96S	Double acting, Single rod

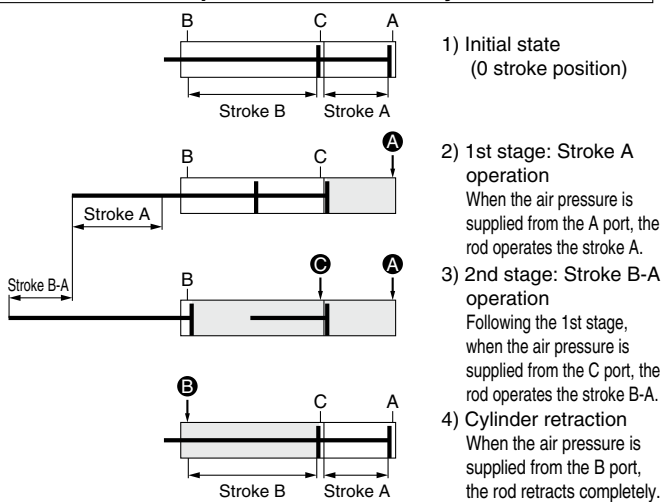
How to Order

Specifications: Same as standard type

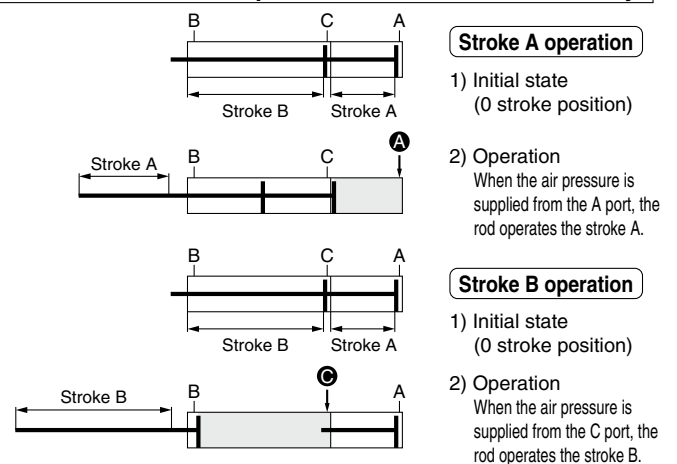
CP96S Mounting type Bore size - Stroke A + Stroke B-A C - XC11
Dual stroke cylinder/Single rod type

Function

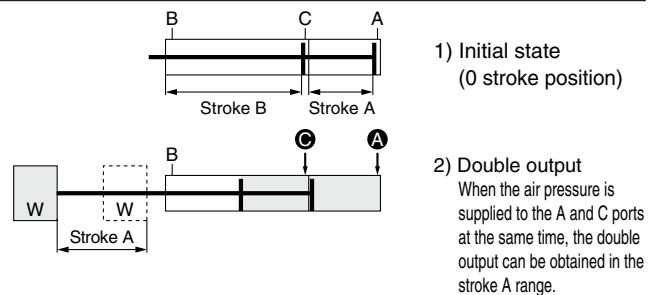
Functional description of dual stroke cylinder



Stroke A or Stroke B operation can be made individually.



Double output is possible.

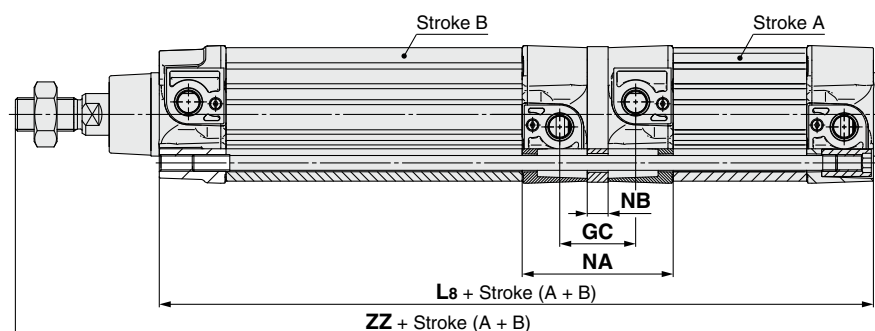


Precautions

⚠ Caution

1. Do not supply air until the cylinder is fixed with the attached bolt.
2. If air is supplied without securing the cylinder, the cylinder could lurch, posing the risk of bodily injury or damage to the peripheral equipment.

Dimensions (Dimensions other than below are the same as standard type.)



Bore size [mm]	L8	ZZ	NA	NB	GC
32	199	251	67.2	10	35.4
40	221	279	74.6	10	37.4
50	223	296	73.4	10	37.4
63	253	326	86.6	10	41.4
80	271	361	90.2	14	45.4
100	291	386	99.2	14	49.4
125	335	460	130	14	52

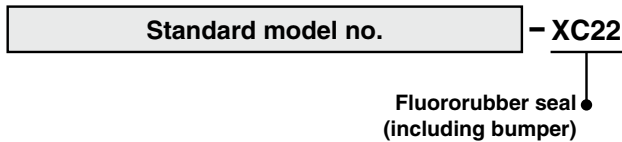
C85
C85W
C85-ST
C85K
C85K-ST
C85R
C75
C75W
C75-ST
C75K
C75K-ST
C75R
CP96
CP96K
C96
C96K
C96Y
C55
Auto Switch
Made to Order
Related Products

6 Fluororubber Seal

Applicable Series

Description	Model	Action
Standard type	CP96S	Double acting, Single rod
	CP96S-W	Double acting, Double rod

How to Order



Specifications

Seal material	Fluororubber
Ambient temperature range	With auto switch: -10°C to 60°C (No freezing)*1 Without auto switch: -10°C to 70°C (No freezing)
Specifications other than above and external dimensions	Same as standard type

- *1 Please contact SMC, as the type of chemical and the operating temperature may not allow the use of this product.
- * Cylinders with auto switches can also be produced; however, auto switch related parts (auto switch units, mounting brackets, built-in magnets) are the same as standard products. Before using these, please contact SMC regarding their suitability for the operating environment.

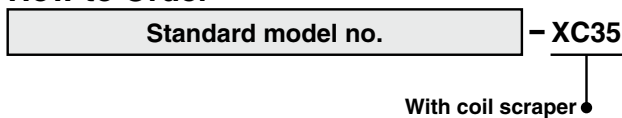
7 With Coil Scraper

It gets rid of frost, ice, weld spatter, cutting chips adhered to the piston rod, and protects the seals etc.

Applicable Series

Description	Model	Action	Note
Standard type	CP96S	Double acting, Single rod	ø32 to ø100
	CP96S-W	Double acting, Double rod	ø32 to ø100

How to Order



Specifications: Same as standard type

Dimensions: Same as standard type

8 Made of Stainless Steel (Combination of -XC7 and -XC68)

Symbol
-XC65

Suitable for the cases it is likely to generate rust by being immersed in the water and corrosion.

Applicable Series

Description	Model	Action
Standard type	CP96S	Double acting, Single rod
	CP96S-W	Double acting, Double rod

* There is a maximum stroke limit for CP96 cylinder.

Maximum Stroke [mm]

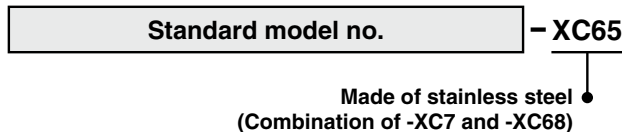
Double acting, Single rod	Double acting, Double rod
ø32: 1800 ø40 to ø100: 1700 ø125: 1600	1000 (Same as standard type)

Specifications

Parts changed to stainless steel	Piston rod, Rod end nut, Tie-rod, Tie-rod nut, Mounting bracket nut, Spring washer, Lock nut
Other specifications and external dimensions	Same as standard type

* For bore size ø125, the cushion valve, rod seal holder, and retaining ring will also be stainless steel.

How to Order



9 Made of Stainless Steel (With Hard Chrome Plated Piston Rod)

Symbol
-XC68

Suitable for the cases it is likely to generate rust by being immersed in the water and corrosion.

Applicable Series

Description	Model	Action
Standard type	CP96S	Double acting, Single rod
	CP96S-W	Double acting, Double rod

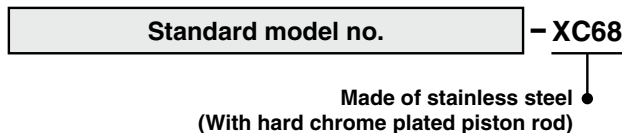
Maximum Stroke [mm]

Double acting, Single rod	Double acting, Double rod
ø32: 1800 ø40 to ø100: 1700 ø125: 1600	1000 (Same as standard type)

Specifications

Parts changed to stainless steel	Piston rod, Rod end nut
Other specifications and external dimensions	Same as standard type

How to Order



- C85
- C85W
- C85-ST
- C85K
- C85K-ST
- C85R
- C75
- C75W
- C75-ST
- C75K
- C75K-ST
- C75R
- CP96
- CP96K
- C96
- C96K
- C96Y
- C55
- Auto Switch
- Made to Order
- Related Products

10 Grease for Food Processing Equipment

-XC85

Food grade grease (certified by NSF-H1) is used as lubricant.

Applicable Series

Description	Model	Action	Note
Standard type	CP96S	Double acting, Single rod	ø32 to ø100
	CP96S-W	Double acting, Double rod	ø32 to ø100

How to Order

Standard model no. **-XC85**

● Grease for food processing equipment

Specifications

Seal material	Nitrile rubber
Grease	Grease for food processing equipment
Auto switch	Mountable
Dimensions	Same as those of the standard type
Specifications other than the above	Same as those of the standard type

Warning Precautions

Be aware that smoking cigarettes, etc., after your hands have come into contact with the grease used in this cylinder can create a gas that is hazardous to humans.

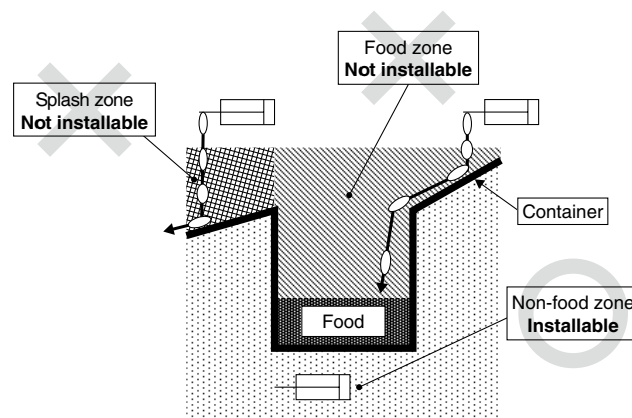
<Not installable>

Food zone.....An environment where food which will be sold as merchandize, directly touches the cylinder's components

Splash zone.....An environment where food which will not be sold as merchandize, directly touches the cylinder's components

<Installable>

Non-food zone.....An environment where there is no contact with food



- * Avoid using this product in the food zone. (Refer to the figure above.)
- * When the product is used in an area of liquid splash, or a water resistant function is required for the product, please consult SMC.
- * Operate without lubrication from a pneumatic system lubricator.
- * Use the following grease pack for the maintenance work.
GR-H-010 (Grease: 10 g)
- * Please contact SMC for details on the maintenance intervals for this cylinder, which differ from those of the standard cylinder.

11 Spatter-resistant Coil Scraper, Lube-retainer, Grease for Welding (Piston rod: Stainless steel 304)

-XC88

Reduces spatter adhesion and improves durability by the use of the coil scraper, Lube-retainer and grease for welding.

Applicable Series

Description	Model	Action	Note
Standard type	CP96S	Double acting, Single rod	ø32 to ø100
	CP96S-W	Double acting, Double rod	ø32 to ø100

How to Order

Standard model no. **-XC88**

● Spatter-resistant coil scraper, Lube-retainer, grease for welding (Piston rod: Stainless steel 304)

Specifications

Piston rod	Stainless steel 304 (With hard chrome plated)
Scraper	With coil scraper, With Lube-retainer
Grease	Grease for welding
Other specifications and external dimensions	Same as standard type

CP96 Series

12 Spatter-resistant Coil Scraper, Lube-retainer, Grease for Welding (Piston rod: S45C)

Symbol
-XC89

Reduces spatter adhesion and improves durability by the use of the coil scraper, Lube-retainer and grease for welding.

Applicable Series

Description	Model	Action	Note
Standard type	CP96S	Double acting, Single rod	ø32 to ø100
	CP96S-W	Double acting, Double rod	ø32 to ø100

How to Order

Standard model no. **- XC89**

● Spatter-resistant coil scraper, Lube-retainer, grease for welding (Piston rod: S45C)

Specifications

Piston rod	S45C (With hard chrome plated)
Scraper	With coil scraper, With Lube-retainer
Grease	Grease for welding
Other specifications and external dimensions	Same as standard type



CP96 Series

Specific Product Precautions

Be sure to read this before handling the products. Refer to page 219 for safety instructions. For actuator and auto switch precautions, refer to the “Handling Precautions for SMC Products” and the “Operation Manual” on the SMC website: <http://www.smcworld.com>

Adjustment

Warning

1. Do not open the cushion valve more than the allowable number of rotations (following table).

Although the cushion valve is caulked as a retaining mechanism, do not open the cushion valve more than the allowable number of rotations. If air is supplied and operation started without confirming the above condition, the cushion valve may be ejected from the cover.

The allowable number of rotations refers to the number of rotations until the restrictor of the cushion valve is completely opened from the completely closed state.

2. Keep the screwing torque and the unscrewing torque of the cushion valve to the allowable torque or below (following table).

If a screwing torque or unscrewing torque beyond the allowable torque is applied, the valve will be damaged when the valve is closed completely or exceeds the retaining mechanism when the valve is opened completely, which will dislocate the engagement of the screw and eject the valve.

Bore size [mm]	Cushion valve width across flats	Hexagon wrench	Allowable number of rotations	Allowable torque [N·m]
32, 40	2	JIS 4648 Hexagon wrench key 2	4	0.02
50, 63	2	JIS 4648 Hexagon wrench key 2	4.5	0.02
80, 100	3	JIS 4648 Hexagon wrench key 3	5.5	0.06
125	4	JIS 4648 Hexagon wrench key 4	5	0.10

3. Be certain to activate the air cushion at the stroke end.

When the air cushion is inactivated, if the allowable kinetic energy exceeds the value on page 131, the piston rod assembly or the tie-rod may be damaged. Set the air cushion to valid when operating the cylinder.

Caution

1. When mounting a foot, flange, single clevis, or double clevis mounting bracket to the cylinder, use a hexagon wrench of the size stated in the table below.

Bore size [mm]	Width across flats	Tightening torque [N·m]
32, 40	4	4.8
50, 63	5	10.4
80, 100	6	18.2
125	10	30.1

2. To mount the adjustable position trunnion mounting bracket to a cylinder, refer to the assembly instructions in the operation manual on the SMC website.

C85

C85W

C85-ST

C85K

C85K-ST

C85R

C75

C75W

C75-ST

C75K

C75K-ST

C75R

CP96

CP96K

C96

C96K

C96Y

C55

Auto Switch

Made to Order

Related Products