



# AC Servo Motor Drivers



The LECSB-S, LECSC-S, and LECSS-S electric actuator drivers are to be discontinued. Please select one of the substitute drivers ending with a "-T" instead: the LECSB-T, LECSC-T, and LECSS-T.


**Pulse Input Type/Positioning Type** p. 13

**Incremental Type**  
LECSA Series

**Pulse Input Type** p. 13


**Absolute Type**  
LECSB Series



**CC-Link Direct Input Type** p. 13

**Absolute Type**  
LECSC Series

CC-Link




**SSCNET III Type** p. 13

**Absolute Type**  
LECSS Series



SSCNET III  
SERVO SYSTEM CONTROLLER NETWORK

e-Factory Alliance



**Pulse Input Type/Positioning Type** p. 13

**Absolute Type**  
LECSB-T Series






Safety function STO available

**CC-Link Direct Input Type** p. 13

**Absolute Type**  
LECSC-T Series



CC-Link

**New Network Card Type** p. 13

**Absolute Type**  
LECSN-T Series

EtherCAT  
EtherNet/IP  
PROFINET



Safety function STO available

**SSCNET III/H Type** p. 13

**Absolute Type**  
LECSS-T Series

SSCNET III/H  
SERVO SYSTEM CONTROLLER NETWORK

e-Factory Alliance

Safety function STO available

**MECHATROLINK-II Type** p. 39

**Absolute Type**  
LECYM Series

MECHATROLINK-II



Safety function STO available

**MECHATROLINK-III Type** p. 39

**Absolute Type**  
LECYU Series

MECHATROLINK-III

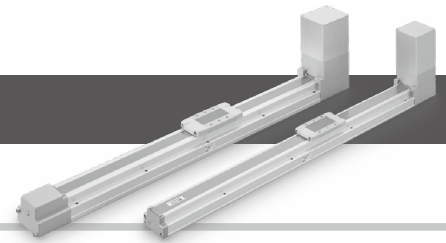


Safety function STO available












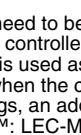
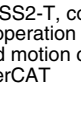
**LECS□/LECS□-T/LECY□ Series**



# AC Servo Motor Drivers



## LECS□/LECS□-T/LECY□ Series List

Series	Compatible motor				Control method			Application/Function		Compatible option		
	100 W	200 W	400 W	750 W	Positioning <sup>*1</sup>	Pulse	Network direct input	Synchronous <sup>*2</sup>	Pushing operation <sup>*4</sup>	Setup software		
Incremental Type	 <b>LECSA</b> (Pulse input type/ Positioning type)	●	●	●		Up to 7 points	●			●	LEC-MRC2	
	 <b>LECSB</b> (Pulse input type)	●	●	●			●			●	LEC-MRC2	
	 <b>CC-Link</b> <b>LECSB</b> (Pulse input type)	●	●	●							●	LEC-MRC2
	 <b>CC-Link</b> <b>LECSB</b> (Pulse input type)	●	●	●		Up to 255 points		CC-Link Ver. 1.10			●	LEC-MRC2
	 <b>SSCNET III</b> <b>LECSB</b> (SSCNET III type) Compatible with Mitsubishi Electric's servo system controller network	●	●	●				SSCNET III	● <sup>*2</sup>	● <sup>*4</sup>	●	LEC-MRC2
	 <b>LECSB-T</b> (Pulse input type/ Positioning type)	●	●	●	●	Up to 255 points	●			● <sup>*4</sup>	●	LEC-MRC2
	 <b>CC-Link</b> <b>LECSB-T</b> (Pulse input type/ Positioning type)	●	●	●	●						●	LEC-MRC2
	 <b>CC-Link</b> <b>LECSB-T</b> (Pulse input type/ Positioning type)	●	●	●	●	Up to 255 points		CC-Link Ver. 1.10			●	LEC-MRC2
	 <b>PROFINET</b> <b>EtherCAT</b> <b>EtherNet/IP</b> <b>LECSN-T</b> (Network card type)	●	●	●	●	Up to 255 points <sup>*5</sup>		PROFINET EtherCAT EtherNet/IP™			●	LEC-MRC2
	 <b>SSCNET III/H</b> <b>LECSS-T</b> (SSCNET III/H type) Compatible with Mitsubishi Electric's servo system controller network	●	●	●	●			SSCNET III/H	● <sup>*2</sup>	● <sup>*4</sup>	●	LEC-MRC2
Absolute Type	 <b>MECHATROLINK-II</b> <b>LECYM</b>	●	●	●				MECHATRO LINK-II	● <sup>*3</sup>		●	SigmaWin+™
	 <b>MECHATROLINK-III</b> <b>LECYU</b>	●	●	●				MECHATRO LINK-III	● <sup>*3</sup>		●	SigmaWin+™
	 <b>LECYU</b>	●	●	●							●	SigmaWin+™

\*1 For positioning types, the settings need to be changed in order to use the max. set values. Setup software (MR Configurator2™) LEC-MRC2 is required.

\*2 Available when a Mitsubishi motion controller is used as the master

\*3 Available when a motion controller is used as the master

\*4 The LECSB2-T is only applicable when the control method is positioning. The point table is used to set the pushing operation settings.

To set the pushing operation settings, an additional dedicated file (pushing operation extension file) must be downloaded separately to be used with the setup software (MR Configurator2™: LEC-MRC2□). Please download this dedicated file from the SMC website: <https://www.smcworld.com>  
When selecting the LECSB or LECSB2-T, combine it with a master station (such as the Simple Motion module manufactured by Mitsubishi Electric Corporation) which has a pushing operation function.

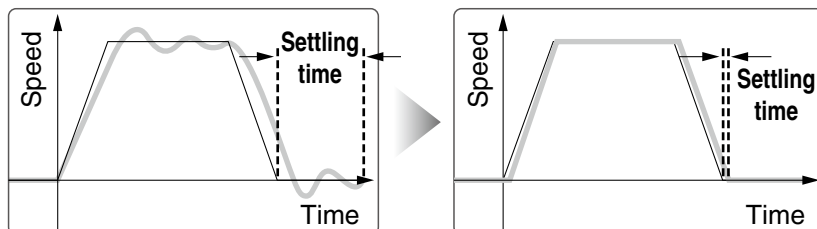
\*\* For customer-provided PLC and motion controller setting and usage instructions, confirm with the retailer or manufacturer.

\*5 Only supports PROFINET and EtherCAT

## Gain adjustment using auto tuning

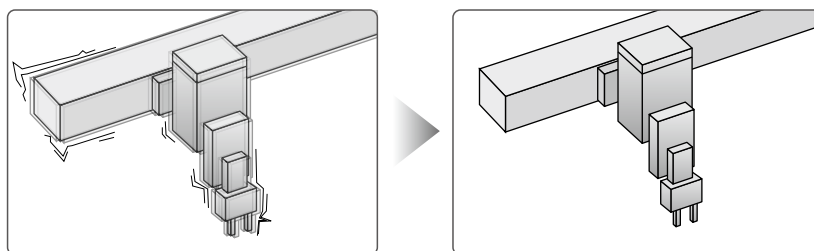
### Auto-tuning function

- Controls the difference between the command value and the actual action



### Vibration suppression control function

- Automatically suppresses low-frequency machine vibrations (1 to 100 Hz)



# AC Servo Motor Drivers

## With display setting function

### One-touch adjustment button

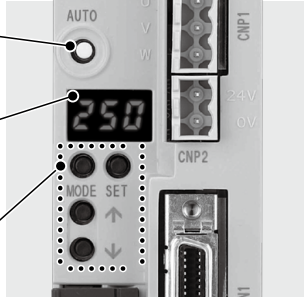
One-touch servo adjustment

### Display

Display the monitor, parameters, and alarm.

### Settings

Set the parameters, monitor display, etc., with push buttons.



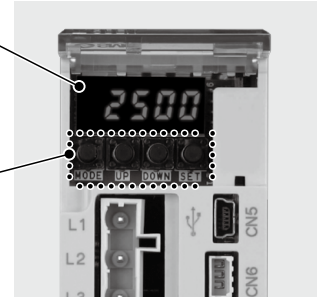
**LECSA**

### Display

Display the monitor, parameters, and alarm.

### Settings

Set the parameters, monitor display, etc., with push buttons.



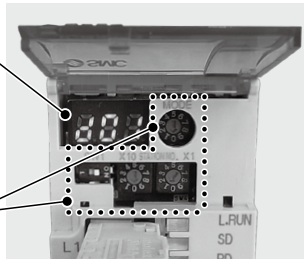
(With the front cover opened)  
**LECSB**

### Display

Display the communication status with the driver, the alarm, and the point table no.

### Settings

Control the Baud rate, station number, and the occupied station count.



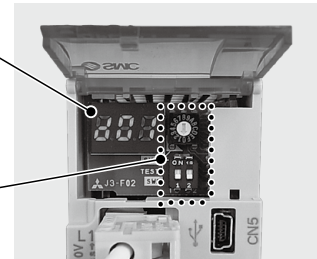
(With the front cover opened)  
**LECSB**

### Display

Display the communication status with the driver and the alarm.

### Settings

Switches for selecting the axis and switching to the test operation



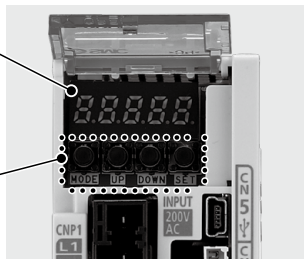
(With the front cover opened)  
**LECSB**

### Display

Display the monitor, parameters, and alarm.

### Settings

Set the parameters, monitor display, etc., with push buttons.



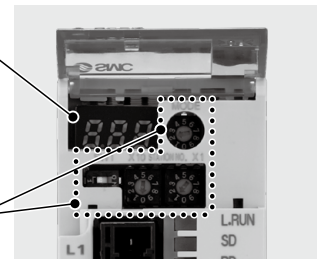
(With the front cover opened)  
**LECSB-T**

### Display

Display the communication status with the driver, the alarm, and the point table no.

### Settings

Control the Baud rate, station number, and the occupied station count.



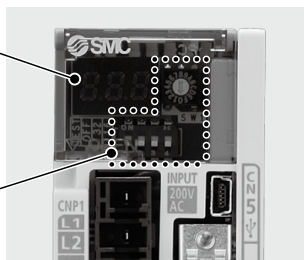
(With the front cover opened)  
**LECSB-T**

### Display

Display the communication status with the driver and the alarm.

### Settings

Switches for axis setting, control axis deactivation, switching to the test operation, etc.



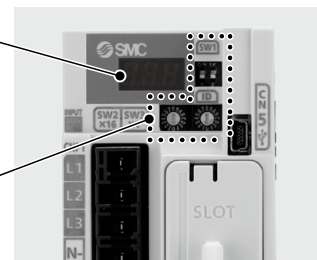
**LECSB-T**

### Display

Display the communication status with the driver and the alarm.

### Settings

Switches for axis setting, switching to the test operation, etc.



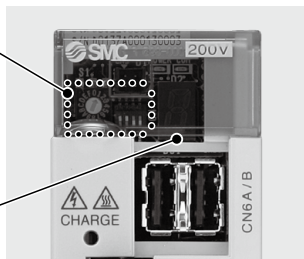
**LECSN-T**

### Settings

Switches for station address, communication speed, number of transmission bytes, etc.

### Display

Display the driver status and alarm.



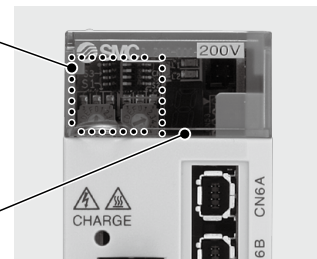
**LECYM**

### Settings

Switches for station address, number of transmission bytes, etc.

### Display

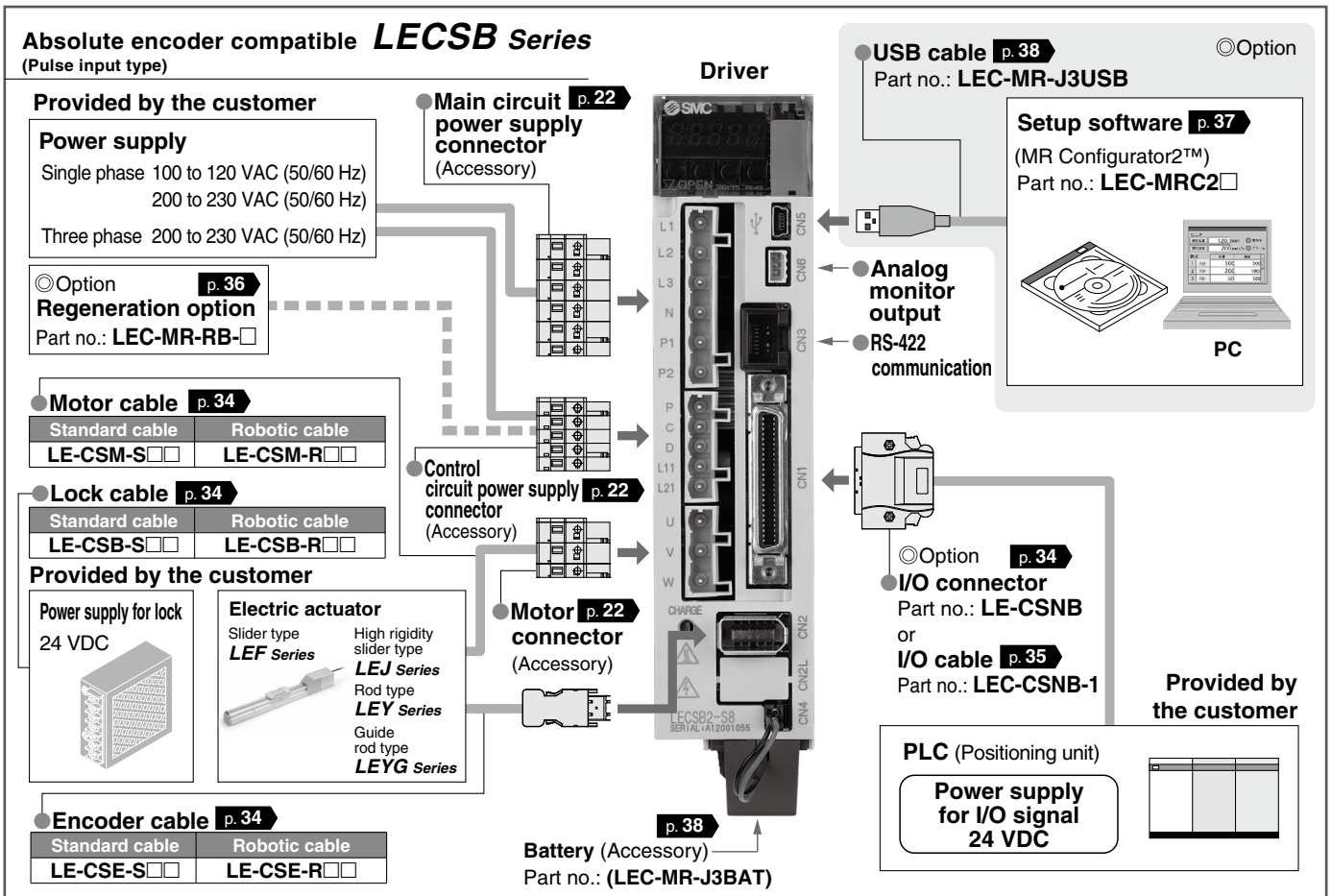
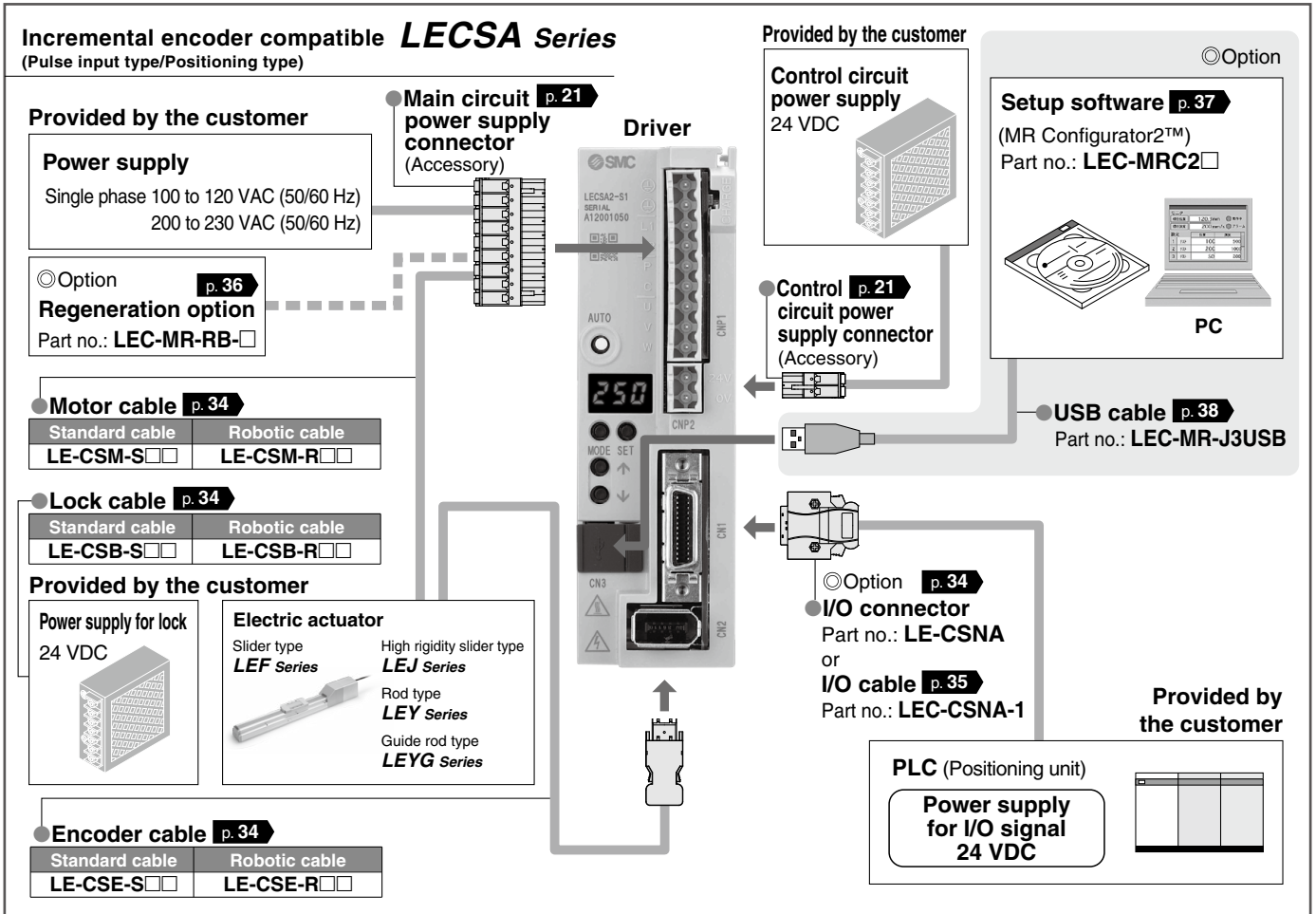
Display the driver status and alarm.



**LECYU**



# System Construction



# System Construction

## Absolute encoder compatible **LECS** Series (CC-Link direct input type)

### Provided by the customer

#### Power supply

Single phase 100 to 120 VAC (50/60 Hz)  
200 to 230 VAC (50/60 Hz)  
Three phase 200 to 230 VAC (50/60 Hz)

Option

#### Regeneration option

Part no.: **LEC-MR-RB**

#### Motor cable

Standard cable	Robotic cable
<b>LE-CSM-S</b>	<b>LE-CSM-R</b>

#### Lock cable

Standard cable	Robotic cable
<b>LE-CSB-S</b>	<b>LE-CSB-R</b>

### Provided by the customer

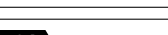
#### Power supply for lock

24 VDC



#### Electric actuator

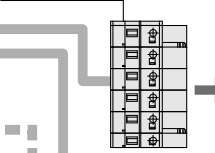
Slider type **LEF Series**  
High rigidity slider type **LEJ Series**  
Rod type **LEY Series**  
Guide rod type **LEYG Series**



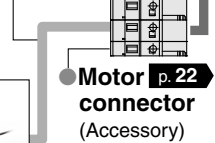
#### Encoder cable

Standard cable	Robotic cable
<b>LE-CSE-S</b>	<b>LE-CSE-R</b>

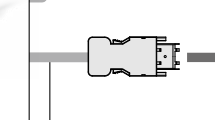
### Main circuit power supply connector (Accessory)



### Control circuit power supply connector (Accessory)



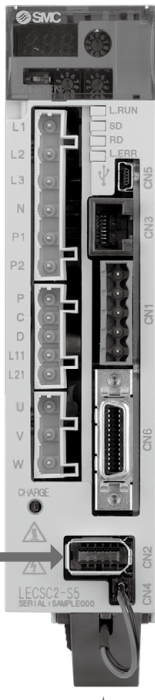
### Motor connector (Accessory)



### Battery (Accessory)

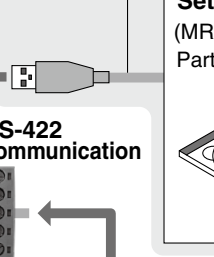
Part no.: **(LEC-MR-J3BAT)**

### Driver



### USB cable

Part no.: **LEC-MR-J3USB**



### RS-422 communication

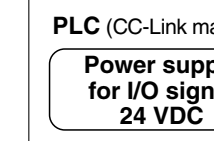


### CC-Link connector \*1 (Accessory)



### I/O connector

Part no.: **LE-CSNA**  
or  
I/O cable Part no.: **LEC-CSNA-1**



### PLC (CC-Link master unit)

Power supply for I/O signal  
24 VDC

Provided by the customer

\*1 Product number: K05A50230600 manufactured by Mitsubishi Electric System & Service Co., Ltd.

## Absolute encoder compatible **LECSS** Series (SSCNET III type)

### Provided by the customer

#### Power supply

Single phase 100 to 120 VAC (50/60 Hz)  
200 to 230 VAC (50/60 Hz)  
Three phase 200 to 230 VAC (50/60 Hz)

Option

#### Regeneration option

Part no.: **LEC-MR-RB**

#### Motor cable

Standard cable	Robotic cable
<b>LE-CSM-S</b>	<b>LE-CSM-R</b>

#### Lock cable

Standard cable	Robotic cable
<b>LE-CSB-S</b>	<b>LE-CSB-R</b>

### Provided by the customer

#### Power supply for lock

24 VDC



#### Electric actuator

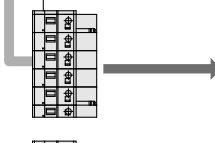
Slider type **LEF Series**  
High rigidity slider type **LEJ Series**  
Rod type **LEY Series**  
Guide rod type **LEYG Series**



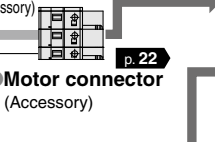
#### Encoder cable

Standard cable	Robotic cable
<b>LE-CSE-S</b>	<b>LE-CSE-R</b>

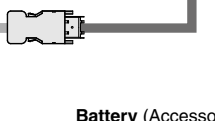
### Main circuit power supply connector (Accessory)



### Control circuit power supply connector (Accessory)



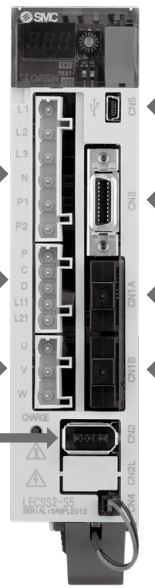
### Motor connector (Accessory)



### Battery (Accessory)

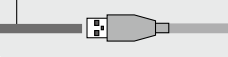
Part no.: **(LEC-MR-J3BAT)**

### Driver



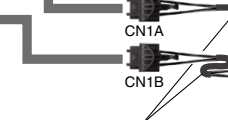
### USB cable

Part no.: **LEC-MR-J3USB**



### I/O connector

Part no.: **LE-CSNS**  
or  
I/O cable Part no.: **LEC-CSNS-1**



### SSCNET III optical cable

Part no.: **LE-CSS**



### PLC (Positioning unit/Motion controller)

Power supply for I/O signal  
24 VDC

Provided by the customer

# System Construction

## Absolute encoder compatible **LECSB-T Series** (Pulse input type/Positioning type)

### Provided by the customer

#### Power supply

Single phase 200 to 240 VAC (50/60 Hz)  
Three phase 200 to 240 VAC (50/60 Hz)

#### Option

Regeneration option p. 36  
Part no.: **LEC-MR-RB-□**

#### Motor cable p. 34

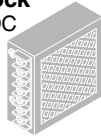
Standard cable	Robotic cable
LE-CSM-S□□	LE-CSM-R□□

#### Lock cable p. 34

Standard cable	Robotic cable
LE-CSB-S□□	LE-CSB-R□□

### Provided by the customer

**Power supply for lock**  
24 VDC



#### Electric actuator

Slider type  
**LEF Series**

High rigidity slider type  
**LEJ Series**

Rod type  
**LEY Series**

Guide rod type  
**LEYG Series**



#### Encoder cable p. 34

Standard cable	Robotic cable
LE-CSE-S□□	LE-CSE-R□□

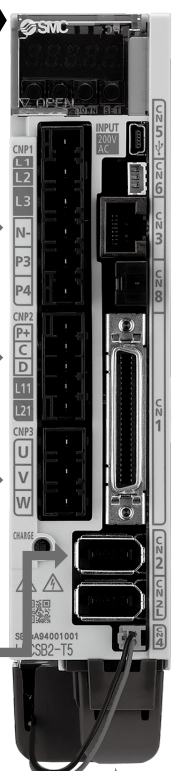
Main circuit power supply connector (Accessory) p. 23

Control circuit power supply connector (Accessory) p. 23

Motor connector (Accessory) p. 23

Battery (Accessory) p. 38  
Part no.: **(LEC-MR-BAT6V1SET)**

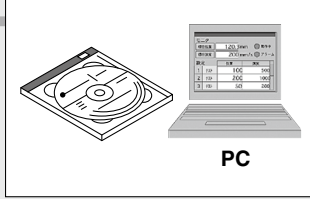
### Driver



USB cable p. 38  
Part no.: **LEC-MR-J3USB**

Option

Setup software p. 37  
(MR Configurator2™)  
Part no.: **LEC-MRC2□**



Analog monitor output  
RS-422 communication

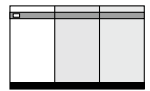
Option  
STO cable (3 m) p. 38  
Part no.: **LEC-MR-D05UDL3M**

Option  
I/O connector p. 34  
Part no.: **LE-CSNB**  
or  
I/O cable p. 35  
Part no.: **LEC-CSNB-1**

Provided by the customer

PLC (Positioning unit)

Power supply for I/O signal  
24 VDC



\* The LECSB2-T□ cannot be used with the LEC-MR-SETUP221□.

## Absolute encoder compatible **LECSC-T Series** (CC-Link direct input type)

### Provided by the customer

#### Power supply

Single phase 200 to 230 VAC (50/60 Hz)  
Three phase 200 to 230 VAC (50/60 Hz)

#### Option

Regeneration option p. 36  
Part no.: **LEC-MR-RB-□**

#### Motor cable p. 34

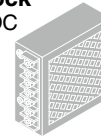
Standard cable	Robotic cable
LE-CSM-S□□	LE-CSM-R□□

#### Lock cable p. 34

Standard cable	Robotic cable
LE-CSB-S□□	LE-CSB-R□□

### Provided by the customer

**Power supply for lock**  
24 VDC



#### Electric actuator

Slider type  
**LEF Series**

High rigidity slider type  
**LEJ Series**

Rod type  
**LEY Series**

Guide rod type  
**LEYG Series**



#### Encoder cable p. 34

Standard cable	Robotic cable
LE-CSE-S□□	LE-CSE-R□□

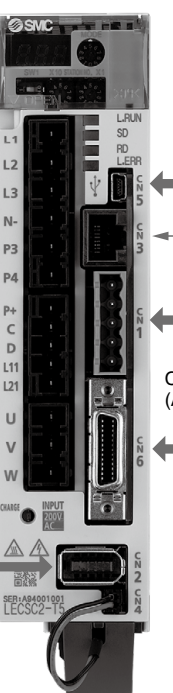
Main circuit power supply connector (Accessory) p. 24

Control circuit power supply connector (Accessory) p. 24

Motor connector (Accessory) p. 24

Battery (Accessory) p. 38  
Part no.: **(LEC-MR-J3BAT)**

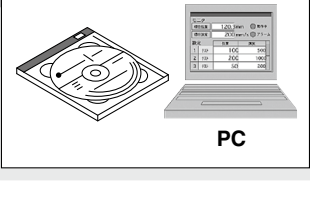
### Driver



USB cable p. 38  
Part no.: **LEC-MR-J3USB**

Option

Setup software p. 37  
(MR Configurator2™)  
Part no.: **LEC-MRC2□**



RS-422 communication

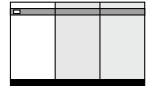
CC-Link connector\*1 (Accessory)

Option  
I/O connector p. 34  
Part no.: **LE-CSNA**  
or  
I/O cable p. 35  
Part no.: **LEC-CSNA-1**

Provided by the customer

PLC (CC-Link master unit)

Power supply for I/O signal  
24 VDC



\* The LECSC2-T□ cannot be used with the LEC-MR-SETUP221□.

\*1 Product number: K05A50230600 manufactured by Mitsubishi Electric System & Service Co., Ltd.



# System Construction

## Absolute encoder compatible **LECSN-T Series** (Network card type)

### Provided by the customer

#### Power supply

Single phase 200 to 240 VAC (50/60 Hz)  
Three phase 200 to 240 VAC (50/60 Hz)

Option

Regeneration option p. 36  
Part no.: LEC-MR-RB-□

#### Motor cable p. 34

Standard cable	Robotic cable
LE-CSM-S□□	LE-CSM-R□□

#### Lock cable p. 34

Standard cable	Robotic cable
LE-CSB-S□□	LE-CSB-R□□

### Provided by the customer

#### Power supply for lock

24 VDC



#### Electric actuator

Slider type  
**LEF Series**

High rigidity slider type  
**LEJ Series**

Rod type  
**LEY Series**

Guide rod type  
**LEYG Series**



#### Encoder cable p. 34

Standard cable	Robotic cable
LE-CSE-S□□	LE-CSE-R□□

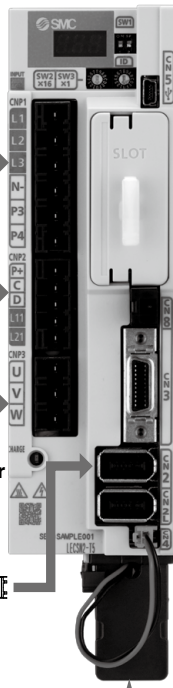
Main circuit p. 23  
power supply connector  
(Accessory)

Control circuit power supply connector p. 23  
(Accessory)

Motor connector  
(Accessory)  
p. 23

Battery (Accessory) p. 38  
Part no.: (LEC-MR-BAT6V1SET-A)

### Driver



Option

USB cable p. 38  
Part no.: LEC-MR-J3USB

Setup software p. 37  
(MR Configurator2™)  
Part no.: LEC-MRC2□

PC

Option

Network card p. 36  
Part no.: LEC-S-N□

Option

STO cable (3 m) p. 38  
Part no.: LEC-MR-D05UDL3M

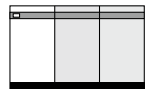
Option

I/O connector p. 34  
Part no.: LE-CSNS  
or  
I/O cable p. 35  
Part no.: LEC-CSNS-1

Provided by the customer

PLC (Positioning unit)

Power supply for I/O signal  
24 VDC



\* The LECSN2-T□ cannot be used with the LEC-MR-SETUP221□.

## Absolute encoder compatible **LECSS-T Series**



### Provided by the customer

#### Power supply

Single phase 200 to 240 VAC (50/60 Hz)  
Three phase 200 to 240 VAC (50/60 Hz)

Option

Regeneration option p. 36  
Part no.: LEC-MR-RB-□

#### Motor cable p. 34

Standard cable	Robotic cable
LE-CSM-S□□	LE-CSM-R□□

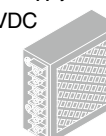
#### Lock cable p. 34

Standard cable	Robotic cable
LE-CSB-S□□	LE-CSB-R□□

### Provided by the customer

#### Power supply for lock

24 VDC



#### Electric actuator

Slider type  
**LEF Series**

High rigidity slider type  
**LEJ Series**

Rod type  
**LEY Series**

Guide rod type  
**LEYG Series**



High rigidity slider type



Rod type



Guide rod type



Main circuit p. 23  
power supply connector  
(Accessory)

Control circuit p. 23  
power supply connector  
(Accessory)

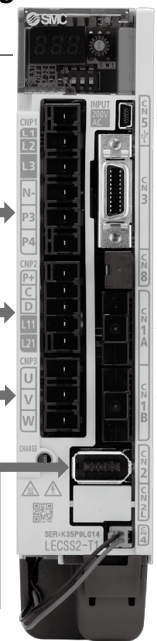
Motor connector  
(Accessory)  
p. 23

#### Encoder cable p. 34

Standard cable	Robotic cable
LE-CSE-S□□	LE-CSE-R□□

Battery (Accessory) p. 38  
Part no.: (LEC-MR-BAT6V1SET)

### Driver



Option

USB cable p. 38  
Part no.: LEC-MR-J3USB

Setup software p. 37  
(MR Configurator2™)  
Part no.: LEC-MRC2□

PC

Option

I/O connector p. 34  
Part no.: LE-CSNS  
or  
I/O cable p. 35  
Part no.: LEC-CSNS-1

Option

STO cable (3 m) p. 38  
Part no.: LEC-MR-D05UDL3M

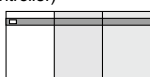
Option

SSCNET III  
optical cable p. 35  
Part no.: LE-CSS-□

Provided by the customer

PLC (Positioning unit/Motion controller)

Power supply for I/O signal  
24 VDC



\* The LECSS2-T□ cannot be used with the LEC-MR-SETUP221□.

# System Construction

## Absolute encoder compatible **LECYM Series** MECHATROLINK-II type

### Provided by the customer

#### Power supply

Single phase 200 to 230 VAC (50/60 Hz)  
Three phase 200 to 230 VAC (50/60 Hz)

### Provided by the customer

#### External regenerative resistor

\* If an external regenerative resistor is required, it should be provided by the customer. For external regenerative resistor selection, refer to the compatible actuator catalog.

### Motor cable

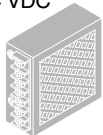
Standard cable	Robotic cable
LE-CYM-S□A-□	LE-CYM-R□A-□

### Motor cable for lock option

Standard cable	Robotic cable
LE-CYB-S□A-□	LE-CYB-R□A-□

### Provided by the customer

Power supply for lock  
24 VDC



### Electric actuator

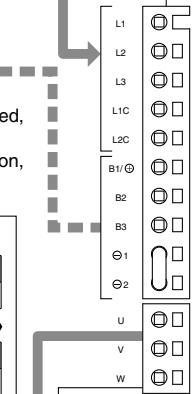
Slider type  
**LEF Series**



High rigidity slider type  
**LEJ Series**

Rod type  
**LEY/LEYG Series**

Main circuit power supply connector (Accessory) p. 42



Motor connector (Accessory) p. 42

Encoder cable p. 45

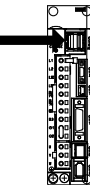
Standard cable	Robotic cable
LE-CYE-S□A	LE-CYE-R□A

### Driver



Option  
MECHATROLINK-II cable p. 47  
Part no.: LEC-CYM-□

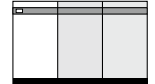
### 2nd driver



Provided by the customer

PLC (Positioning unit/Motion controller)

Power supply for I/O signal  
24 VDC



Option

USB cable p. 48  
Part no.: LEC-JZ-CVUSB

### Setup software

(SigmaWin+™)  
Please download it via our website.



PC

\* Order the USB cable (Part no.: LEC-JZ-CVUSB) separately to use this software.

Option  
I/O connector p. 46  
Part no.: LE-CYNA  
or  
I/O cable p. 46  
Part no.: LEC-CSNA-1

Cable for safety function device (3 m) p. 48  
Part no.: LEC-JZ-CVSAF

## Absolute encoder compatible **LECYU Series** MECHATROLINK-III type

### Provided by the customer

#### Power supply

Single phase 200 to 230 VAC (50/60 Hz)  
Three phase 200 to 230 VAC (50/60 Hz)

### Provided by the customer

#### External regenerative resistor

\* If an external regenerative resistor is required, it should be provided by the customer. For external regenerative resistor selection, refer to the compatible actuator catalog.

### Motor cable

Standard cable	Robotic cable
LE-CYM-S□A-□	LE-CYM-R□A-□

### Motor cable for lock option

Standard cable	Robotic cable
LE-CYB-S□A-□	LE-CYB-R□A-□

### Provided by the customer

Power supply for lock  
24 VDC



### Electric actuator

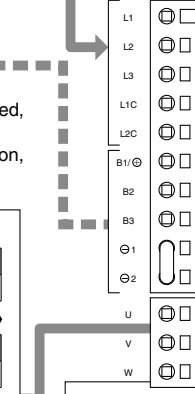
Slider type  
**LEF Series**



High rigidity slider type  
**LEJ Series**

Rod type  
**LEY/LEYG Series**

Main circuit power supply connector (Accessory) p. 42



Motor connector (Accessory) p. 42

Encoder cable p. 45

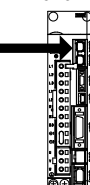
Standard cable	Robotic cable
LE-CYE-S□A	LE-CYE-R□A

### Driver



Option  
MECHATROLINK-III cable p. 47  
Part no.: LEC-CYU-□

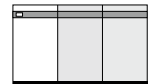
### 2nd driver



Provided by the customer

PLC (Positioning unit/Motion controller)

Power supply for I/O signal  
24 VDC



Option

USB cable p. 48  
Part no.: LEC-JZ-CVUSB

### Setup software

(SigmaWin+™)  
Please download it via our website.



PC

\* Order the USB cable (Part no.: LEC-JZ-CVUSB) separately to use this software.

Option  
I/O connector p. 46  
Part no.: LE-CYNA  
or  
I/O cable p. 46  
Part no.: LEC-CSNA-1

Cable for safety function device (3 m) p. 48  
Part no.: LEC-JZ-CVSAF



# AC Servo Motor Driver

LECS□ Series

Power supply voltage 100 to 120 VAC  
200 to 230 VAC

Motor capacity 100/200/400 W

Incremental Type

## LECSA Series (Pulse input type/Positioning type)



- Up to 7 positioning points by point table
- Input type: Pulse input
- Control encoder: Incremental 17-bit encoder (Resolution: 131072 p/rev)
- Parallel input: 6 inputs  
output: 4 outputs

## LECSB Series (Pulse input type)



- Input type: Pulse input
- Control encoder: Absolute 18-bit encoder (Resolution: 262144 p/rev)
- Parallel input: 10 inputs  
output: 6 outputs

## LECS C Series (CC-Link direct input type)



- Position data/speed data setting and operation start/stop
- Positioning by up to 255 point tables (when 2 stations are occupied)
- Up to 32 drivers can be connected (when 2 stations are occupied) with CC-Link communication.
- Applicable Fieldbus protocol: CC-Link (Ver. 1.10, Max. communication speed: 10 Mbps)
- Control encoder: Absolute 18-bit encoder (Resolution: 262144 p/rev)

CC-Link

## LECSS Series (SSCNET III type)



- Compatible with Mitsubishi Electric's servo system controller network
- Reduced wiring and SSCNET III optical cable for one-touch connection
- The SSCNET III optical cable provides enhanced noise resistance.
- Up to 16 drivers can be connected with SSCNET III communication.
- Applicable Fieldbus protocol: SSCNET III  
(High-speed optical communication, Max. bidirectional communication speed: 50 Mbps)
- Control encoder: Absolute 18-bit encoder (Resolution: 262144 p/rev)

SSCNET III  
SERVO SYSTEM CONTROLLER NETWORK

# AC Servo Motor Driver

## LECS□-T Series

Power supply voltage 200 to 240 VAC  
(LECS-C-T Series: 200 to 230 VAC)

Motor capacity 100/200/400/750 W

Absolute Type

### LECSB-T Series (Pulse input type/Positioning type)



- Positioning by up to 255 point tables
- Input type: Pulse input (Sink (NPN) type interface/Source (PNP) type interface)
- Control encoder: Absolute 22-bit encoder (Resolution: 4194304 p/rev)
- STO (Safe Torque Off) safety function available
- Parallel input: 10 inputs  
output: 6 outputs

### LECS-C-T Series (CC-Link direct input type)



- Position data/speed data setting and operation start/stop
- Positioning by up to 255 point tables (when 2 stations are occupied)
- Up to 32 drivers can be connected (when 2 stations are occupied) with CC-Link communication.
- Applicable Fieldbus protocol: CC-Link (Ver. 1.10, Max. communication speed: 10 Mbps)
- Control encoder: Absolute 18-bit encoder (Resolution: 262144 p/rev)

CC-Link

### LECSN-T Series (Network card type)



- Supports EtherCAT<sup>™</sup>, EtherNet/IP<sup>™</sup>, and PROFINET<sup>®</sup>
- Supports 3 types of network card (EtherCAT, EtherNet/IP<sup>™</sup>, and PROFINET)
- STO (Safe Torque Off) safety function available
- Control encoder: Absolute 22-bit encoder (Resolution: 4194304 p/rev)

PROFINET<sup>®</sup>

### LECSS-T Series (SSCNET III/H type)



- Applicable Fieldbus protocol: SSCNET III/H  
(High-speed optical communication, max. bidirectional communication speed: 150 Mbps)
- Bidirectional communication speed: 3 times
- SSCNET III/H and SSCNET III products are compatible.
- Improved noise resistance
- STO (Safe Torque Off) safety function available
- Control encoder: Absolute 22-bit encoder (Resolution: 4194304 p/rev)

SSCNET III/H  
SERVO SYSTEM CONTROLLER NETWORK

# AC Servo Motor Driver

LECY□ Series

Power supply voltage 200 to 230 VAC

Motor capacity 100/200/400 W

Absolute Type

## LECYM Series (MECHATROLINK-II type)



- **Applicable Fieldbus protocol:** MECHATROLINK-II
- **Number of connectable drivers:** 30 units (Transmission distance: Max. 50 m in total)
- **Max. transmission speed:** 10 Mbps
- **Min. transmission cycle:** 250  $\mu$ s
- **Control encoder:** Absolute 20-bit encoder (Resolution: 1048576 p/rev)
- **STO (Safe Torque Off) safety function available**
- **Compliant with the SEMI F47 Standard (Torque limit for low DC power supply voltage for main circuit)**

## LECYU Series (MECHATROLINK-III type)



- **Applicable Fieldbus protocol:** MECHATROLINK-III
- **Number of connectable drivers:** 62 units (Transmission distance: Max. 75 m between stations)
- **Max. transmission speed:** 100 Mbps
- **Min. transmission cycle:** 125  $\mu$ s
- **Control encoder:** Absolute 20-bit encoder (Resolution: 1048576 p/rev)
- **STO (Safe Torque Off) safety function available**
- **Compliant with the SEMI F47 Standard (Torque limit for low DC power supply voltage for main circuit)**

# CONTENTS

## AC Servo Motor

### Incremental Type/Absolute Type LECS□/LECS□-T Series



How to Order .....	p. 13
Dimensions .....	p. 14
Specifications .....	p. 17
Power Supply Wiring Example .....	p. 21
Control Signal Wiring Example .....	p. 25
Options .....	p. 34

## AC Servo Motor

### MECHATROLINK Compatible Absolute Type LECY□ Series



How to Order .....	p. 39
Dimensions .....	p. 39
Specifications .....	p. 40
Power Supply Wiring Example .....	p. 42
Control Signal Wiring Example .....	p. 43
Options .....	p. 45

Specific Product Precautions .....	p. 49
------------------------------------	-------

LECS□/LECS□-T Series

LECY□ Series

Specific Product Precautions

# AC Servo Motor Driver Incremental Type

**LECSA Series** (Pulse Input Type/Positioning Type)

# Absolute Type

**LECSB** (Pulse Input Type)/**LECSC** (CC-Link Direct Input Type)/**LECSS** (SSCNET III Type)

**LECSB-T** (Pulse Input Type/Positioning Type)/**LECSC-T** (CC-Link Direct Input Type)

**LECSN-T** (Network Card Type)/**LECSS-T** (SSCNET III/H Type) **Series**



\* Only the LECSA and LECSB-T are compliant. The LECSN-T is only compliant if the "Without network card" option is selected.

Compatible actuators

LEF LEJ LEY

## How to Order

### For LECSA/LECSB/LECSC/LECSS

**LECS A 1 - S1**

Driver type

A	Pulse input type/Positioning type (For incremental encoder)
B	Pulse input type (For absolute encoder)
C	CC-Link direct input type (For absolute encoder)
S	SSCNET III type (For absolute encoder)

Power supply voltage

1	100 to 120 VAC, 50/60 Hz
2	200 to 230 VAC, 50/60 Hz

The LECSB-S, LECSC-S, and LECSS-S electric actuator drivers are to be discontinued. Please select one of the substitute drivers ending with a "-T" instead: the LECSB-T, LECSC-T, and LECSS-T.



LECSA LECSB LECSC LECSS

- \* If an I/O connector is required, order the part number "LE-CSN□" separately.
- \* If an I/O cable is required, order the part number "LEC-CSN□-1" separately.  
(Since the electric actuator will not operate without emergency stop (EMG) wiring for the LECSB, an I/O connector or an I/O cable is required.)

Compatible motor type

Symbol	Type	Capacity	Encoder
S1	AC servo motor (S2*1)	100 W	Incremental
S3	AC servo motor (S3*1)	200 W	
S4	AC servo motor (S4*1)*2	400 W	
S5	AC servo motor (S6*1)	100 W	Absolute
S7	AC servo motor (S7*1)	200 W	
S8	AC servo motor (S8*1)*2	400 W	

\*1 The symbol shows the motor type (actuator).

\*2 Only available for power supply voltage "200 to 230 VAC"

### For LECSB-T/LECSC-T/LECSS-T

**LECS B 2 - T5**

Driver type

B	Pulse input type/Positioning type (For absolute encoder)
C	CC-Link direct input type (For absolute encoder)
S	SSCNET III/H type (For absolute encoder)

Power supply voltage

2	200 to 240 VAC, 50/60 Hz (For LECSB2-T/LECSS2-T) 200 to 230 VAC, 50/60 Hz (For LECSC2-T)
---	---



LECSB-T LECSC-T LECSS-T

- \* If an I/O connector is required, order the part number "LE-CSN□" separately.
- \* If an I/O cable is required, order the part number "LEC-CSN□-1" separately.  
(Since the electric actuator will not operate without forced stop (EM2) wiring when using the LECSB-T in any mode other than positioning mode, an I/O connector or an I/O cable is required.)

Compatible motor type

Symbol	Type	Capacity	Encoder
T5	AC servo motor (T6*1)	100 W	Absolute
T7	AC servo motor (T7*1)	200 W	
T8	AC servo motor (T8*1)	400 W	
T9	AC servo motor (T9*1)	750 W	

\*1 The symbol shows the motor type (actuator).

### For LECSN-T

**LECS N 2 - T5 - 9**

Driver type

N	Network card type (For absolute encoder)
---	---

Power supply voltage

2	200 to 240 VAC, 50/60 Hz
---	--------------------------

Compatible motor type

Symbol	Type	Capacity	Encoder
T5	AC servo motor (T6*1)	100 W	Absolute
T7	AC servo motor (T7*1)	200 W	
T8	AC servo motor (T8*1)	400 W	
T9	AC servo motor (T9*1)	750 W	

\*1 The symbol shows the motor type (actuator).



LECSN-T

- \* If an I/O connector is required, order the part number "LE-CSNS" separately.
- \* If an I/O cable is required, order the part number "LEC-CSNS-1" separately.

Network card type\*1

Nil	Without network card
E	EtherCAT
9	EtherNet/IP™
P	PROFINET

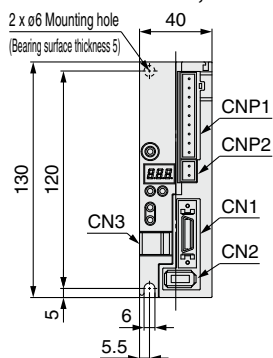
\*1 Only the "Without network card" option is UL compliant.



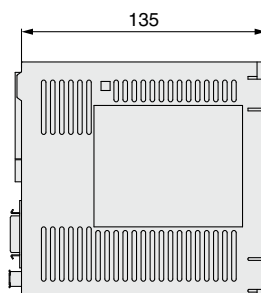
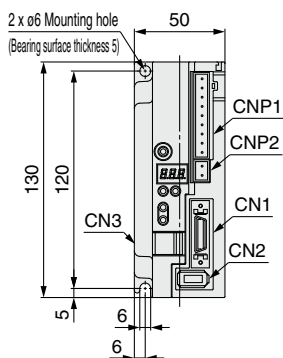
## Dimensions

### LECSA□

For LECSA□-S1, S3

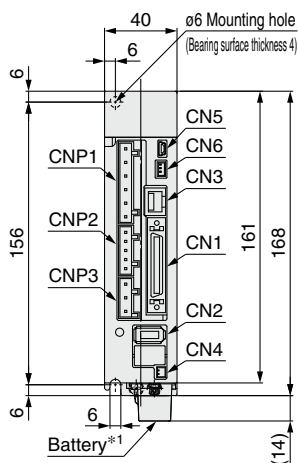


For LECSA□-S4

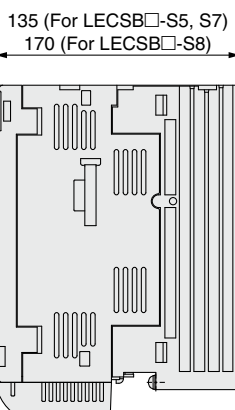


Connector name	Description
<b>CN1</b>	I/O signal connector
<b>CN2</b>	Encoder connector
<b>CN3</b>	USB communication connector
<b>CNP1</b>	Main circuit power supply connector
<b>CNP2</b>	Control circuit power supply connector

### LECSB□

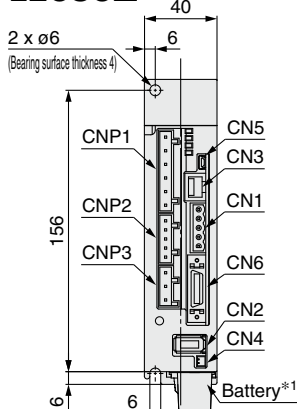


\*1 Battery included

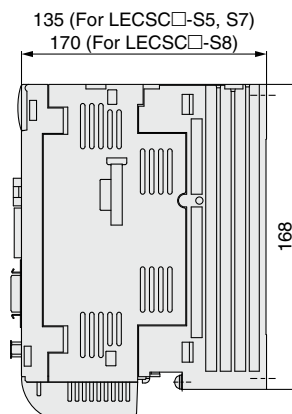


Connector name	Description
<b>CN1</b>	I/O signal connector
<b>CN2</b>	Encoder connector
<b>CN3</b>	RS-422 communication connector
<b>CN4</b>	Battery connector
<b>CN5</b>	USB communication connector
<b>CN6</b>	Analog monitor connector
<b>CNP1</b>	Main circuit power supply connector
<b>CNP2</b>	Control circuit power supply connector
<b>CNP3</b>	Servo motor power connector

### LECS□

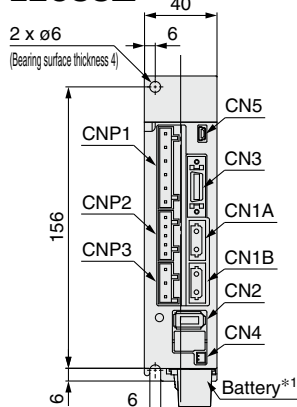


\*1 Battery included

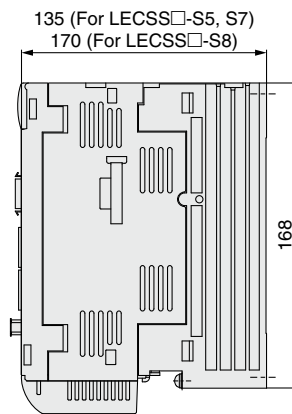


Connector name	Description
<b>CN1</b>	CC-Link connector
<b>CN2</b>	Encoder connector
<b>CN3</b>	RS-422 communication connector
<b>CN4</b>	Battery connector
<b>CN5</b>	USB communication connector
<b>CN6</b>	I/O signal connector
<b>CNP1</b>	Main circuit power supply connector
<b>CNP2</b>	Control circuit power supply connector
<b>CNP3</b>	Servo motor power connector

### LECSS□



\*1 Battery included



Connector name	Description
<b>CN1A</b>	Front axis connector for SSCNET III optical cable
<b>CN1B</b>	Rear axis connector for SSCNET III optical cable
<b>CN2</b>	Encoder connector
<b>CN3</b>	I/O signal connector
<b>CN4</b>	Battery connector
<b>CN5</b>	USB communication connector
<b>CNP1</b>	Main circuit power supply connector
<b>CNP2</b>	Control circuit power supply connector
<b>CNP3</b>	Servo motor power connector

LECS□/LECS□-T Series

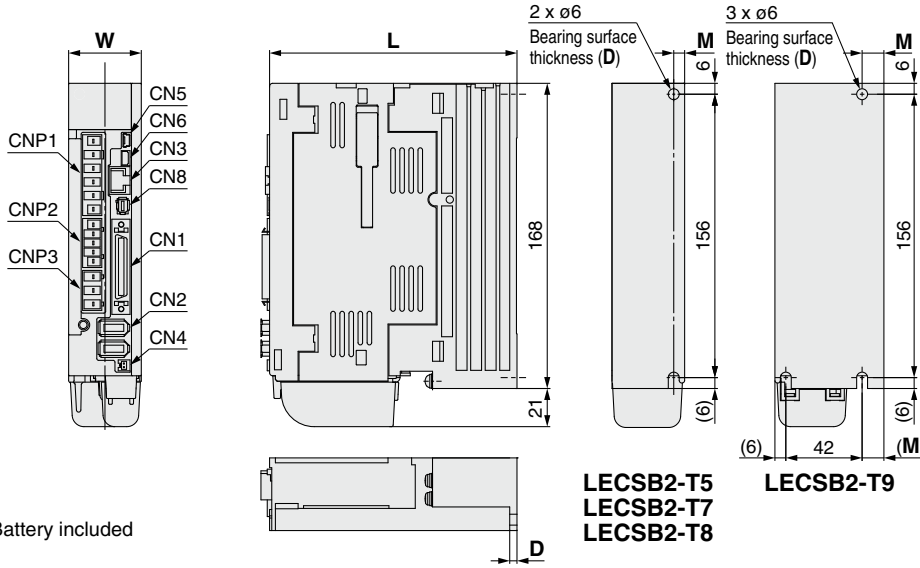
LECY□ Series

Specific Product Precautions

# LECS□/LECS□-T Series

## Dimensions

### LECSB2-T□



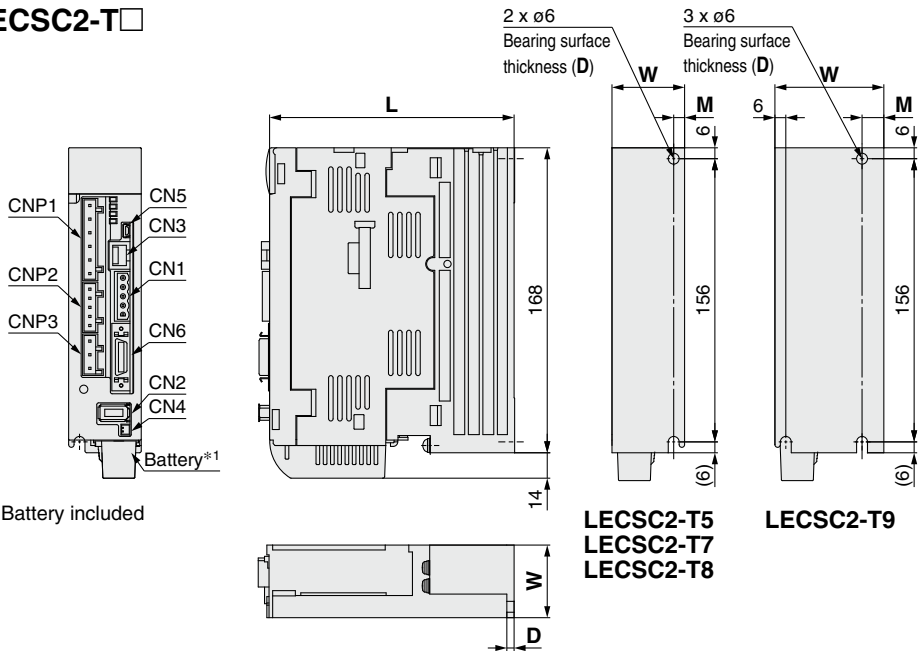
\* Battery included

Connector name	Description
CN1	I/O signal connector
CN2	Encoder connector
CN3	RS-422 communication connector
CN4	Battery connector
CN5	USB communication connector
CN6	Analog monitor connector
CN8	STO input signal connector
CNP1	Main circuit power supply connector
CNP2	Control circuit power supply connector
CNP3	Servo motor power connector

### Dimensions [mm]

Model	W	L	D	M
LECSB2-T5	40	135	4	6
LECSB2-T7		170	5	
LECSB2-T8	60	185	6	12

### LECSC2-T□



\*1 Battery included

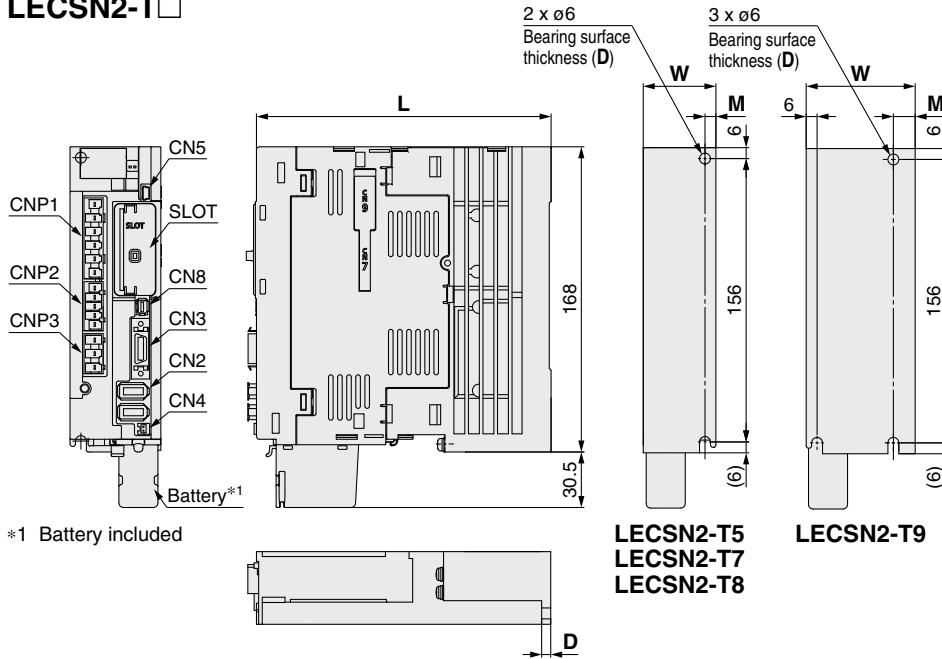
Connector name	Description
CN1	CC-Link connector
CN2	Encoder connector
CN3	RS-422 communication connector
CN4	Battery connector
CN5	USB communication connector
CN6	I/O signal connector
CNP1	Main circuit power supply connector
CNP2	Control circuit power supply connector
CNP3	Servo motor power connector

### Dimensions [mm]

Model	W	L	D	M
LECSC2-T5	40	135	4	6
LECSC2-T7		170	5	
LECSC2-T8	60	185	6	12

**Dimensions**

**LECSN2-T□**



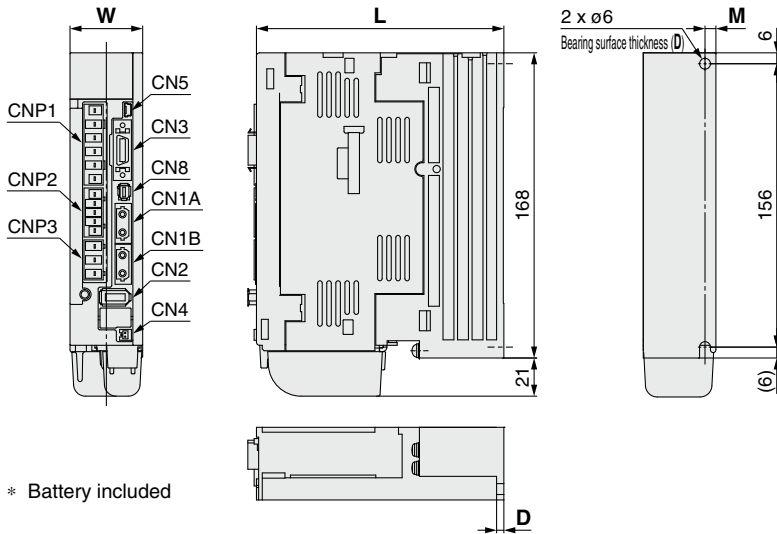
\*1 Battery included

Connector name	Description
CN3	I/O signal connector
CN2	Encoder connector
CN4	Battery connector
CN5	USB communication connector
CN8	STO input signal connector
CNP1	Main circuit power supply connector
CNP2	Control circuit power supply connector
CNP3	Servo motor power connector
SLOT	Network card slot

**Dimensions** [mm]

Model	W	L	D	M
LECSN2-T5	50	161	5	6
LECSN2-T7				
LECSN2-T8	60	191	6	12
LECSN2-T9				

**LECSS2-T□**



\* Battery included

Connector name	Description
CN1A	Front axis connector for SSCNET III/H
CN1B	Rear axis connector for SSCNET III/H
CN2	Encoder connector
CN3	I/O signal connector
CN4	Battery connector
CN5	USB communication connector
CN8	STO input signal connector
CNP1	Main circuit power supply connector
CNP2	Control circuit power supply connector
CNP3	Servo motor power connector

**Dimensions** [mm]

Model	W	L	D	M
LECSS2-T5	40	135	4	6
LECSS2-T7		170	5	
LECSS2-T8	60	185	6	12
LECSS2-T9				

LECS□/LECS□-T Series

LECY□ Series

Specific Product Precautions

# LECS□/LECS□-T Series

## Specifications

### LECSA Series

Model		LECSA1-S1	LECSA1-S3	LECSA2-S1	LECSA2-S3	LECSA2-S4
Compatible motor capacity [W]		100	200	100	200	400
Compatible encoder		Incremental 17-bit encoder (Resolution: 131072 p/rev)				
Main power supply	Power voltage [V]	Single phase 100 to 120 VAC (50/60 Hz)		Single phase 200 to 230 VAC (50/60 Hz)		
	Allowable voltage fluctuation [V]	Single phase 85 to 132 VAC		Single phase 170 to 253 VAC		
	Rated current [A]	3.0	5.0	1.5	2.4	4.5
Control power supply	Control power supply voltage [V]	24 VDC				
	Allowable voltage fluctuation [V]	21.6 to 26.4 VDC				
	Rated current [A]	0.5				
Parallel input		6 inputs				
Parallel output		4 outputs				
Max. input pulse frequency [pps]		1 M (for differential receiver), 200 k (for open collector)*2				
Function	In-position range setting [pulse]	0 to ±65535 (Command pulse unit)				
	Error excessive	±3 rotations				
	Torque limit	Parameter setting				
	Communication	USB communication				
Point table		Up to 7 points				
Operating temperature range [°C]		0 to 55 (No freezing)				
Operating humidity range [%RH]		90 or less (No condensation)				
Storage temperature range [°C]		-20 to 65 (No freezing)				
Storage humidity range [%RH]		90 or less (No condensation)				
Insulation resistance [MΩ]		Between the housing and SG: 10 (500 VDC)				
Weight [g]		600				700

### LECSB Series

Model		LECSB1-S5	LECSB1-S7	LECSB2-S5	LECSB2-S7	LECSB2-S8
Compatible motor capacity [W]		100	200	100	200	400
Compatible encoder		Absolute 18-bit encoder (Resolution: 262144 p/rev)				
Main power supply	Power voltage [V]	Single phase 100 to 120 VAC (50/60 Hz)		Three phase 200 to 230 VAC (50/60 Hz) Single phase 200 to 230 VAC (50/60 Hz)		
	Allowable voltage fluctuation [V]	Single phase 85 to 132 VAC		Three phase 170 to 253 VAC Single phase 170 to 253 VAC		
	Rated current [A]	3.0	5.0	0.9	1.5	2.6
Control power supply	Control power supply voltage [V]	Single phase 100 to 120 VAC (50/60 Hz)		Single phase 200 to 230 VAC (50/60 Hz)		
	Allowable voltage fluctuation [V]	Single phase 85 to 132 VAC		Single phase 170 to 253 VAC		
	Rated current [A]	0.4		0.2		
Parallel input		10 inputs				
Parallel output		6 outputs				
Max. input pulse frequency [pps]		1 M (for differential receiver), 200 k (for open collector)*2				
Function	In-position range setting [pulse]	0 to ±10000 (Command pulse unit)				
	Error excessive	±3 rotations				
	Torque limit	Parameter setting or external analog input setting (0 to 10 VDC)				
	Communication	USB communication, RS422 communication*1				
Operating temperature range [°C]		0 to 55 (No freezing)				
Operating humidity range [%RH]		90 or less (No condensation)				
Storage temperature range [°C]		-20 to 65 (No freezing)				
Storage humidity range [%RH]		90 or less (No condensation)				
Insulation resistance [MΩ]		Between the housing and SG: 10 (500 VDC)				
Weight [g]		800				1000

\*1 USB communication and RS422 communication cannot be performed at the same time.

\*2 If the command pulse input is open collector method, it supports only the sink (NPN) type interface. It does not correspond to the source (PNP) type interface.

## Specifications

### LECS Series

Model		LECS1-S5	LECS1-S7	LECS2-S5	LECS2-S7	LECS2-S8	
<b>Compatible motor capacity [W]</b>		100	200	100	200	400	
<b>Compatible encoder</b>		Absolute 18-bit encoder (Resolution: 262144 p/rev)					
<b>Main power supply</b>	<b>Power voltage [V]</b>	Single phase 100 to 120 VAC (50/60 Hz)		Three phase 200 to 230 VAC (50/60 Hz) Single phase 200 to 230 VAC (50/60 Hz)			
	<b>Allowable voltage fluctuation [V]</b>	Single phase 85 to 132 VAC		Three phase 170 to 253 VAC Single phase 170 to 253 VAC			
	<b>Rated current [A]</b>	3.0	5.0	0.9	1.5	2.6	
<b>Control power supply</b>	<b>Control power supply voltage [V]</b>	Single phase 100 to 120 VAC (50/60 Hz)		Single phase 200 to 230 VAC (50/60 Hz)			
	<b>Allowable voltage fluctuation [V]</b>	Single phase 85 to 132 VAC		Single phase 170 to 253 VAC			
	<b>Rated current [A]</b>	0.4		0.2			
<b>Communication specifications</b>	<b>Applicable Fieldbus protocol (Version)</b>		CC-Link communication (Ver. 1.10)				
	<b>Connection cable</b>		CC-Link Ver. 1.10 compliant cable (Shielded 3-core twisted pair cable)*1				
	<b>Remote station number</b>		1 to 64				
	<b>Cable length</b>	<b>Communication speed [bps]/ Maximum overall cable length [m]</b>	16 k/1200, 625 k/900, 2.5 M/400, 5 M/160, 10 M/100				
		<b>Cable length between stations [m]</b>	0.2 or more				
	<b>I/O occupation area (Inputs/Outputs)</b>		1 station occupied (Remote I/O 32 points/32 points)/(Remote register 4 words/4 words) 2 stations occupied (Remote I/O 64 points/64 points)/(Remote register 8 words/8 words)				
	<b>Number of connectable drivers</b>		Up to 42 (when 1 station is occupied by 1 driver), Up to 32 (when 2 stations are occupied by 1 driver), when there are only remote device stations.				
<b>Command method</b>	<b>Remote register input</b>		Available with CC-Link communication (2 stations occupied)				
	<b>Point table No. input</b>		Available with CC-Link communication, RS422 communication CC-Link communication (1 station occupied): 31 points CC-Link communication (2 stations occupied): 255 points RS422 communication: 255 points				
	<b>Indexer positioning input</b>		Available with CC-Link communication CC-Link communication (1 station occupied): 31 points CC-Link communication (2 stations occupied): 255 points				
<b>Communication function</b>		USB communication, RS-422 communication*2					
<b>Operating temperature range [°C]</b>		0 to 55 (No freezing)					
<b>Operating humidity range [%RH]</b>		90 or less (No condensation)					
<b>Storage temperature range [°C]</b>		-20 to 65 (No freezing)					
<b>Storage humidity range [%RH]</b>		90 or less (No condensation)					
<b>Insulation resistance [MΩ]</b>		Between the housing and SG: 10 (500 VDC)					
<b>Weight [g]</b>		800				1000	

\*1 If the system comprises of both CC-Link Ver. 1.00 and Ver. 1.10 compliant cables, Ver. 1.00 specifications are applied to the overall cable length and the cable length between stations.

\*2 USB communication and RS422 communication cannot be performed at the same time.

### LECS Series

Model		LECS1-S5	LECS1-S7	LECS2-S5	LECS2-S7	LECS2-S8
<b>Compatible motor capacity [W]</b>		100	200	100	200	400
<b>Compatible encoder</b>		Absolute 18-bit encoder (Resolution: 262144 p/rev)				
<b>Main power supply</b>	<b>Power voltage [V]</b>	Single phase 100 to 120 VAC (50/60 Hz)		Three phase 200 to 230 VAC (50/60 Hz) Single phase 200 to 230 VAC (50/60 Hz)		
	<b>Allowable voltage fluctuation [V]</b>	Single phase 85 to 132 VAC		Three phase 170 to 253 VAC Single phase 170 to 253 VAC		
	<b>Rated current [A]</b>	3.0	5.0	0.9	1.5	2.6
<b>Control power supply</b>	<b>Control power supply voltage [V]</b>	Single phase 100 to 120 VAC (50/60 Hz)		Single phase 200 to 230 VAC (50/60 Hz)		
	<b>Allowable voltage fluctuation [V]</b>	Single phase 85 to 132 VAC		Single phase 170 to 253 VAC		
	<b>Rated current [A]</b>	0.4		0.2		
<b>Applicable Fieldbus protocol</b>		SSCNET III (High-speed optical communication)				
<b>Communication function</b>		USB communication				
<b>Operating temperature range [°C]</b>		0 to 55 (No freezing)				
<b>Operating humidity range [%RH]</b>		90 or less (No condensation)				
<b>Storage temperature range [°C]</b>		-20 to 65 (No freezing)				
<b>Storage humidity range [%RH]</b>		90 or less (No condensation)				
<b>Insulation resistance [MΩ]</b>		Between the housing and SG: 10 (500 VDC)				
<b>Weight [g]</b>		800				1000

LECS□/LECS□-T Series

LECS□ Series

Specific Product Precautions



# LECS□/LECS□-T Series

## Specifications

### LECSB-T Series

Model		LECSB2-T5	LECSB2-T7	LECSB2-T8	LECSB2-T9
<b>Compatible motor capacity [W]</b>		100	200	400	750
<b>Compatible encoder</b>		Absolute 22-bit encoder (Resolution: 4194304 p/rev)			
<b>Main power supply</b>	<b>Power voltage [V]</b>	Three phase 200 to 240 VAC (50/60 Hz), Single phase 200 to 240 VAC (50/60 Hz)			
	<b>Allowable voltage fluctuation [V]</b>	Three phase 170 to 264 VAC (50/60 Hz), Single phase 170 to 264 VAC (50/60 Hz)			
	<b>Rated current [A]</b>	0.9	1.5	2.6	3.8
<b>Control power supply</b>	<b>Control power supply voltage [V]</b>	Single phase 200 to 240 VAC (50/60 Hz)			
	<b>Allowable voltage fluctuation [V]</b>	Single phase 170 to 264 VAC			
	<b>Rated current [A]</b>	0.2			
<b>Parallel input</b>		10 inputs			
<b>Parallel output</b>		6 outputs			
<b>Max. input pulse frequency [pps]</b>		4 M (for differential receiver), 200 k (for open collector)			
<b>Function</b>	<b>In-position range setting [pulse]</b>	0 to ±65535 (Command pulse unit)			
	<b>Error excessive</b>	±3 rotations			
	<b>Torque limit</b>	Parameter setting or external analog input setting (0 to 10 VDC)			
	<b>Communication</b>	USB communication, RS422 communication*1			
	<b>Point table</b>	Up to 255 points			
<b>Pushing operation</b>		Point table no. input method, Up to 127 points			
<b>Operating temperature range [°C]</b>		0 to 55 (No freezing)			
<b>Operating humidity range [%RH]</b>		90 or less (No condensation)			
<b>Storage temperature range [°C]</b>		-20 to 65 (No freezing)			
<b>Storage humidity range [%RH]</b>		90 or less (No condensation)			
<b>Insulation resistance [MΩ]</b>		Between the housing and SG: 10 (500 VDC)			
<b>Safety function</b>		STO (IEC/EN 61800-5-2)			
<b>Safety standards*2</b>		EN ISO 13849-1 Category 3 PL e, IEC 61508 SIL 3, EN 62061 SIL CL3, EN 61800-5-2			
<b>Weight [g]</b>		800	1000	1400	

\*1 USB communication and RS422 communication cannot be performed at the same time.

\*2 The safety level depends on the set value of the driver parameter [Pr. PF18 STO diagnosis error detection time] and whether STO input diagnosis by TOFB output is performed or not. Refer to the LECSB-T operation manual for details.

### LECSC-T Series

Model		LECSC2-T5	LECSC2-T7	LECSC2-T8	LECSC2-T9
<b>Compatible motor capacity [W]</b>		100	200	400	750
<b>Compatible encoder</b>		Absolute 18-bit encoder (Resolution: 262144 p/rev)			
<b>Main power supply</b>	<b>Power voltage [V]</b>	Three phase 200 to 230 VAC (50/60 Hz), Single phase 200 to 230 VAC (50/60 Hz)			
	<b>Allowable voltage fluctuation [V]</b>	Three phase 170 to 253 VAC, Single phase 170 to 253 VAC			
	<b>Rated current [A]</b>	0.9	1.5	2.6	3.8
<b>Control power supply</b>	<b>Control power supply voltage [V]</b>	Single phase 200 to 230 VAC (50/60 Hz)			
	<b>Allowable voltage fluctuation [V]</b>	Single phase 170 to 253 VAC			
	<b>Rated current [A]</b>	0.2			
<b>Communication specifications</b>	<b>Applicable Fieldbus protocol (Version)</b>		CC-Link communication (Ver. 1.10)		
	<b>Connection cable</b>		CC-Link Ver. 1.10 compliant cable (Shielded 3-core twisted pair cable)*1		
	<b>Remote station number</b>		1 to 64		
	<b>Cable length</b>	<b>Communication speed [bps]/ Maximum overall cable length [m]</b>	16 k/1200, 625 k/900, 2.5 M/400, 5 M/160, 10 M/100		
		<b>Cable length between stations [m]</b>	0.2 or more		
	<b>I/O occupation area (Inputs/Outputs)</b>		1 station occupied (Remote I/O 32 points/32 points)/(Remote register 4 words/4 words) 2 stations occupied (Remote I/O 64 points/64 points)/(Remote register 8 words/8 words)		
	<b>Number of connectable drivers</b>		Up to 42 (when 1 station is occupied by 1 driver), Up to 32 (when 2 stations are occupied by 1 driver), when there are only remote device stations.		
<b>Command method</b>	<b>Remote register input</b>		Available with CC-Link communication (2 stations occupied)		
	<b>Point table No. input</b>		Available with CC-Link communication, RS422 communication CC-Link communication (1 station occupied): 31 points, CC-Link communication (2 stations occupied): 255 points RS422 communication: 255 points		
	<b>Indexer positioning input</b>		Available with CC-Link communication CC-Link communication (1 station occupied): 31 points, CC-Link communication (2 stations occupied): 255 points		
<b>Communication function</b>		USB communication, RS-422 communication*2			
<b>Operating temperature range [°C]</b>		0 to 55 (No freezing)			
<b>Operating humidity range [%RH]</b>		90 or less (No condensation)			
<b>Storage temperature range [°C]</b>		-20 to 65 (No freezing)			
<b>Storage humidity range [%RH]</b>		90 or less (No condensation)			
<b>Insulation resistance [MΩ]</b>		Between the housing and SG: 10 (500 VDC)			
<b>Weight [g]</b>		800	1000	1400	

\*1 If the system comprises of both CC-Link Ver. 1.00 and Ver. 1.10 compliant cables, Ver. 1.00 specifications are applied to the overall cable length and the cable length between stations.

\*2 USB communication and RS422 communication cannot be performed at the same time.

## Specifications

### LECSN-T Series

Model		LECSN2-T5	LECSN2-T7	LECSN2-T8	LECSN2-T9
Compatible motor capacity [W]		100	200	400	750
Compatible encoder		Absolute 22-bit encoder (Resolution: 4194304 p/rev)			
Main power supply	Power voltage [V]	Three phase 200 to 240 VAC (50/60 Hz), Single phase 200 to 240 VAC (50/60 Hz)			
	Allowable voltage fluctuation [V]	Three phase 170 to 264 VAC (50/60 Hz), Single phase 170 to 264 VAC (50/60 Hz)			
	Rated current [A]	0.9	1.5	2.6	3.8
Control power supply	Control power supply voltage [V]	Single phase 200 to 240 VAC (50/60 Hz)			
	Allowable voltage fluctuation [V]	Single phase 170 to 264 VAC			
	Rated current [A]	0.2			
Applicable Fieldbus protocol		PROFINET, EtherCAT, EtherNet/IP™			
Function	Communication	USB communication			
	Point table*1	Up to 255 points			
Operating temperature range [°C]		0 to 55 (No freezing)			
Operating humidity range [%RH]		90 or less (No condensation)			
Storage temperature range [°C]		-20 to 65 (No freezing)			
Storage humidity range [%RH]		90 or less (No condensation)			
Insulation resistance [MΩ]		Between the housing and SG: 10 (500 VDC)			
Safety function		STO (IEC/EN 61800-5-2)			
Safety standards*2		EN ISO 13849-1 Category 3 PL e, IEC 61508 SIL 3, EN 62061 SIL CL3, EN 61800-5-2			
Weight [g]		1000			1400

\*1 Only supports PROFINET and EtherCAT

\*2 The safety level depends on the set value of the driver parameter [Pr. PF18 STO diagnosis error detection time] and whether STO input diagnosis by TOFB output is performed or not. Refer to the LECSN-T operation manual for details.

### LECSS-T Series

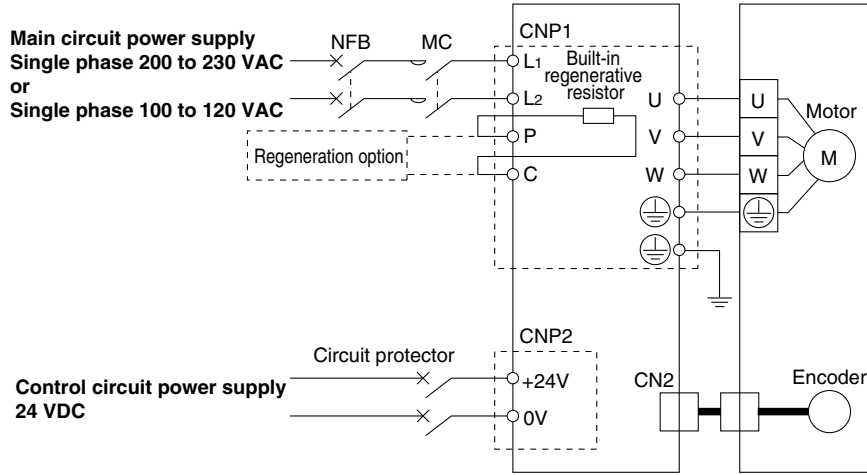
Model		LECSS2-T5	LECSS2-T7	LECSS2-T8	LECSS2-T9
Compatible motor capacity [W]		100	200	400	750
Compatible encoder		Absolute 22-bit encoder (Resolution: 4194304 p/rev)			
Main power supply	Power voltage [V]	Three phase 200 to 240 VAC (50/60 Hz), Single phase 200 to 240 VAC (50/60 Hz)			
	Allowable voltage fluctuation [V]	Three phase 170 to 264 VAC (50/60 Hz), Single phase 170 to 264 VAC (50/60 Hz)			
	Rated current [A]	0.9	1.5	2.6	3.8
Control power supply	Control power supply voltage [V]	Single phase 200 to 240 VAC (50/60 Hz)			
	Allowable voltage fluctuation [V]	Single phase 170 to 264 VAC			
	Rated current [A]	0.2			
Applicable Fieldbus protocol		SSCNET III/H (High-speed optical communication)			
Communication function		USB communication			
Operating temperature range [°C]		0 to 55 (No freezing)			
Operating humidity range [%RH]		90 or less (No condensation)			
Storage temperature range [°C]		-20 to 65 (No freezing)			
Storage humidity range [%RH]		90 or less (No condensation)			
Insulation resistance [MΩ]		Between the housing and SG: 10 (500 VDC)			
Safety function		STO (IEC/EN 61800-5-2)			
Safety standards*1		EN ISO 13849-1 Category 3 PL d, EN 61508 SIL 2, EN 62061 SIL CL2, EN 61800-5-2			
Weight [g]		800		1000	1400

\*1 Refer to the LECSS-T operation manual for details.

# LECS□/LECS□-T Series

## Power Supply Wiring Example: LECSA

LECSA□-□

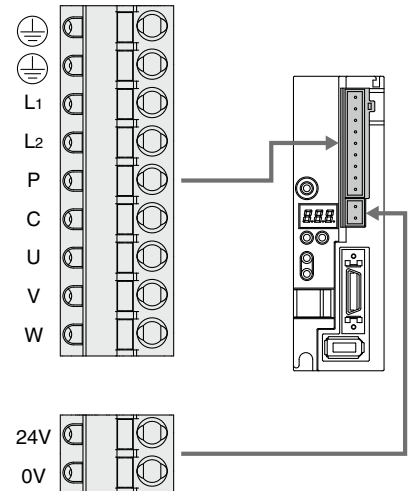


### Main Circuit Power Supply Connector: CNP1 \* Accessory

Terminal name	Function	Details
	Protective earth (PE)	Should be grounded by connecting the servo motor's earth terminal and the control panel's protective earth (PE)
L1	Main circuit power supply	Connect the main circuit power supply. LECSA1: Single phase 100 to 120 VAC, 50/60 Hz LECSA2: Single phase 200 to 230 VAC, 50/60 Hz
L2		
P	Regeneration option	Terminal to connect regeneration option LECSA□-S1: Not connected at time of shipping LECSA□-S3, S4: Connected at time of shipping * If regeneration option is required for "Model Selection," connect to this terminal.
C		
U	Servo motor power (U)	Connect to motor cable (U, V, W).
V	Servo motor power (V)	
W	Servo motor power (W)	

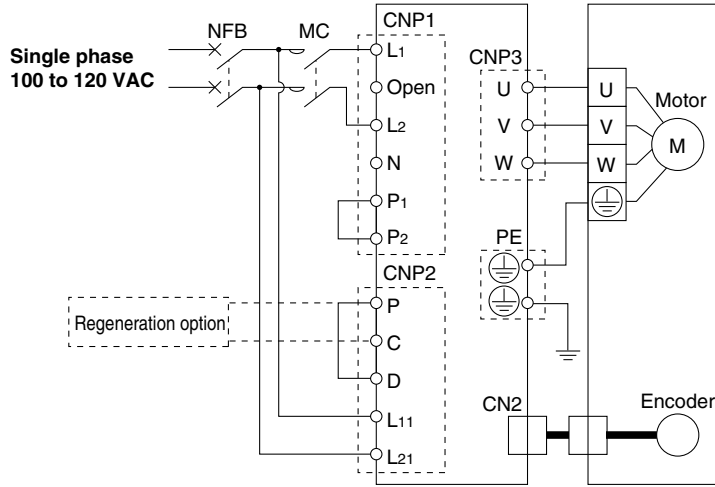
### Control Circuit Power Supply Connector: CNP2 \* Accessory

Terminal name	Function	Details
24V	Control circuit power supply (24 V)	24 V side of the control circuit power supply (24 VDC) supplied to the driver
0V	Control circuit power supply (0 V)	0 V side of the control circuit power supply (24 VDC) supplied to the driver



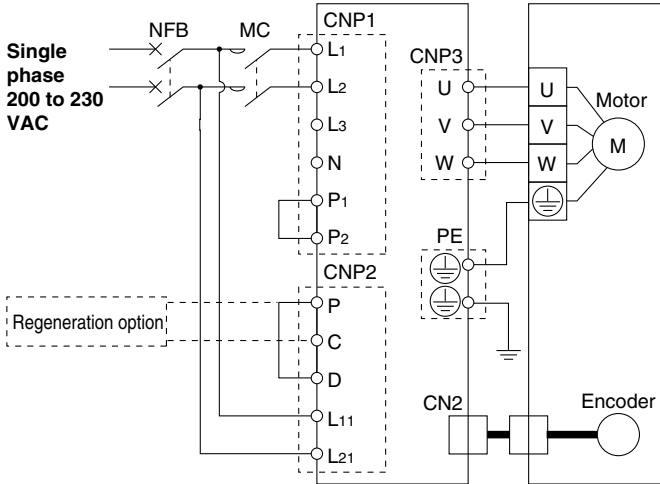
## Power Supply Wiring Example: LECSB, LECS□, LECS□-T

**LECSB1-□**  
**LECS□1-□**  
**LECS□1-□**

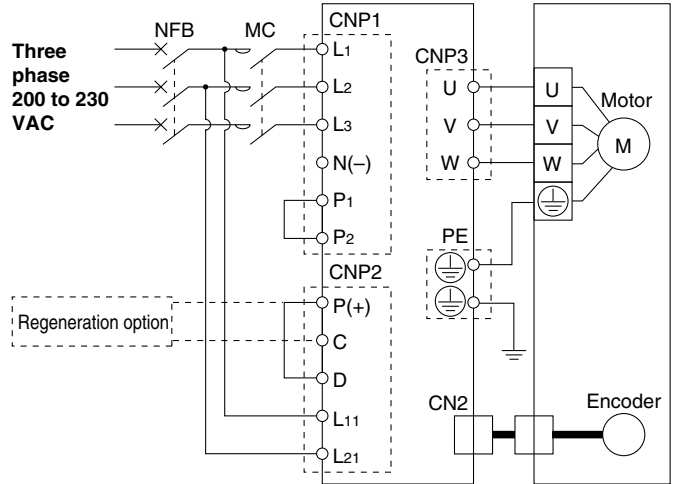


**LECSB2-□**  
**LECS□2-□**  
**LECS□2-□**

**For single phase 200 VAC**



**For three phase 200 VAC**



\* For single phase 200 to 230 VAC, power supply should be connected to L1 and L2 terminals, with nothing connected to L3.

### Main Circuit Power Supply Connector: CNP1 \* Accessory

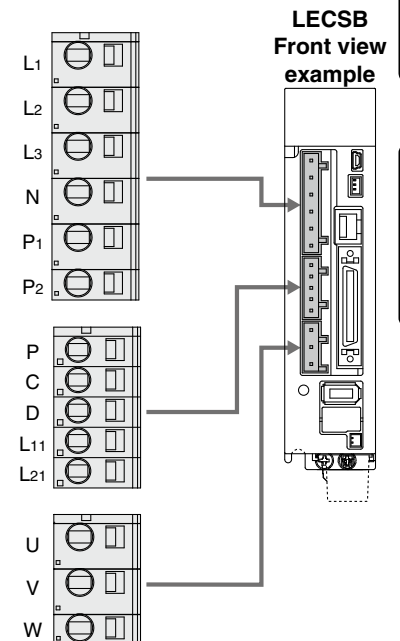
Terminal name	Function	Details
L1	Main circuit power supply	Connect the main circuit power supply. LECSB1/LECS□1/LECS□1: Single phase 100 to 120 VAC, 50/60 Hz Connection terminal: L1, L2 LECSB2/LECS□2/LECS□2: Single phase 200 to 230 VAC, 50/60 Hz Connection terminal: L1, L2 Three phase 200 to 230 VAC, 50/60 Hz Connection terminal: L1, L2, L3
L2		
L3		
N	Do not connect.	
P1	Connect between P1 and P2. (Connected at time of shipping)	
P2		

### Control Circuit Power Supply Connector: CNP2 \* Accessory

Terminal name	Function	Details
P	Regeneration option	Connect between P and D. (Connected at time of shipping) * If regeneration option is required for "Model Selection," connect to this terminal.
C		
D		
L11	Control circuit power supply	Connect the control circuit power supply. LECSB1/LECS□1/LECS□1: Single phase 100 to 120 VAC, 50/60 Hz Connection terminal: L11, L21 LECSB2/LECS□2/LECS□2: Single phase 200 to 230 VAC, 50/60 Hz Connection terminal: L11, L21
L21		

### Motor Connector: CNP3 \* Accessory

Terminal name	Function	Details
U	Servo motor power (U)	Connect to motor cable (U, V, W).
V	Servo motor power (V)	
W	Servo motor power (W)	



LECS□/LECS□-T Series

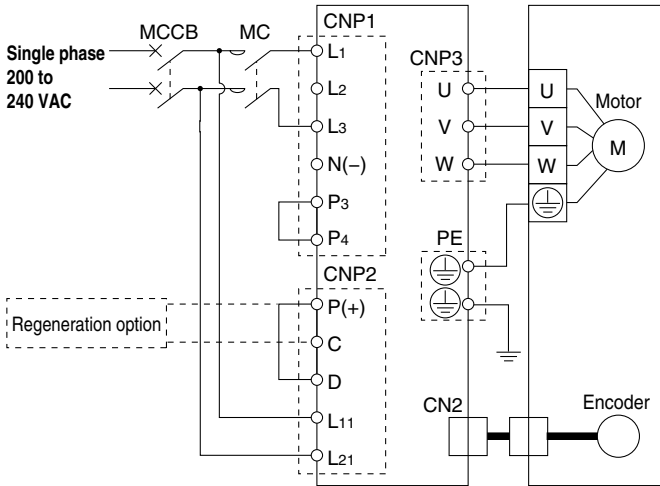
LECS□ Series

Specific Product Precautions

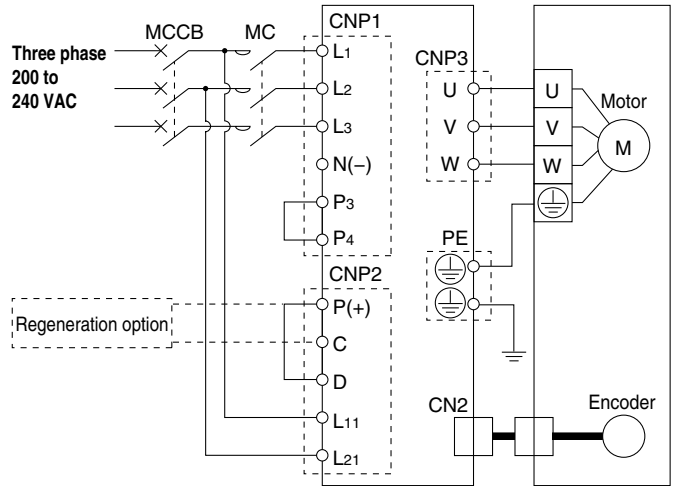
# LECS□/LECS□-T Series

## Power Supply Wiring Example: LECSB2-T□, LECSS2-T□, LECSN2-T□

For single phase 200 VAC



For three phase 200 VAC



\* For single phase 200 to 240 VAC, power supply should be connected to L1 and L3 terminals, with nothing connected to L2. Please note that the wiring locations differ from the LECS□.

### Main Circuit Power Supply Connector: CNP1 \* Accessory

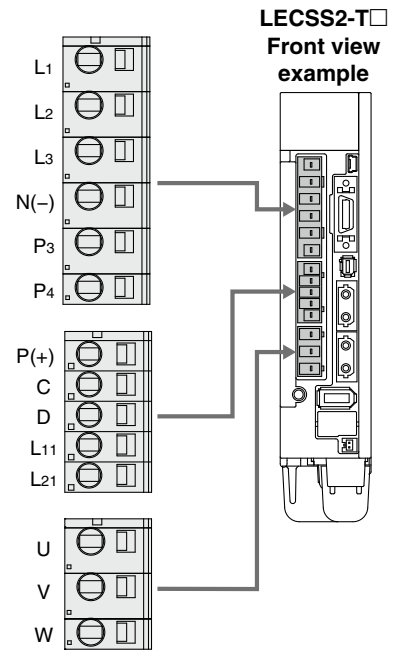
Terminal name	Function	Details
L1	Main circuit power supply	Connect the main circuit power supply. LECSB2-T/LECSS2-T/LECSN2-T: Single phase 200 to 240 VAC, 50/60 Hz Connection terminal: L1, L3 Three phase 200 to 240 VAC, 50/60 Hz Connection terminal: L1, L2, L3
L2		
L3		
N(-)		Do not connect.
P3		Connect between P3 and P4. (Connected at time of shipping)
P4		

### Control Circuit Power Supply Connector: CNP2 \* Accessory

Terminal name	Function	Details
P(+)	Regeneration option	Connect between P(+) and D. (Connected at time of shipping) * If regeneration option is required for "Model Selection," connect to this terminal.
C		
D		
L11	Control circuit power supply	Connect the control circuit power supply. LECSB2-T/LECSS2-T/LECSN2-T: Single phase 200 to 240 VAC, 50/60 Hz Connection terminal: L11, L21
L21		

### Motor Connector: CNP3 \* Accessory

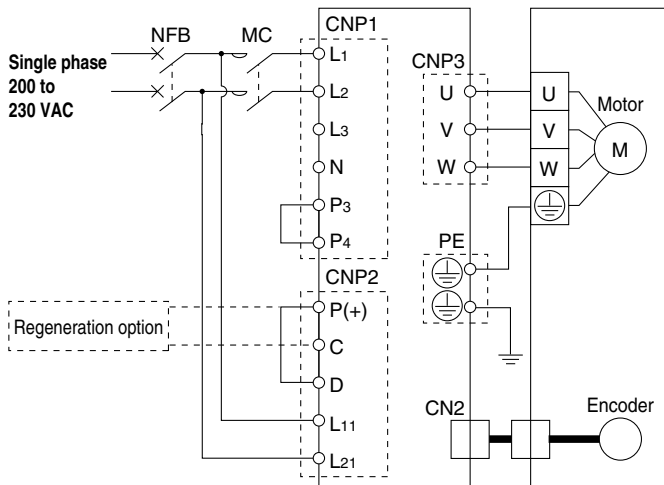
Terminal name	Function	Details
U	Servo motor power (U)	Connect to motor cable (U, V, W).
V	Servo motor power (V)	
W	Servo motor power (W)	



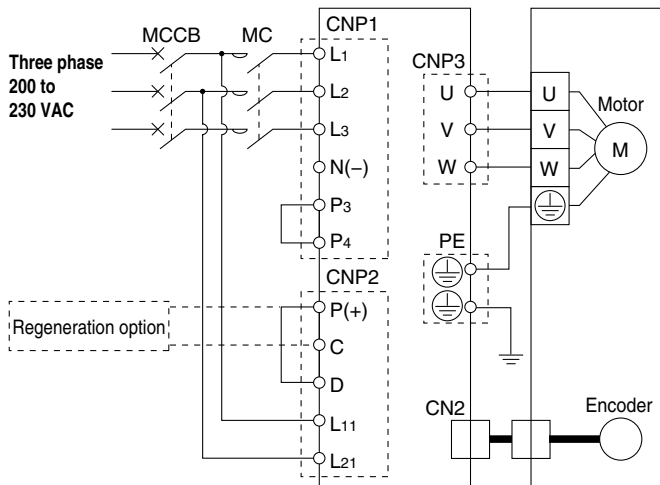


## Power Supply Wiring Example: LECS2-T□

**For single phase 200 VAC**



**For three phase 200 VAC**



\* For single phase 200 to 230 VAC, power supply should be connected to L1 and L2 terminals, with nothing connected to L3.

### Main Circuit Power Supply Connector: CNP1 \* Accessory

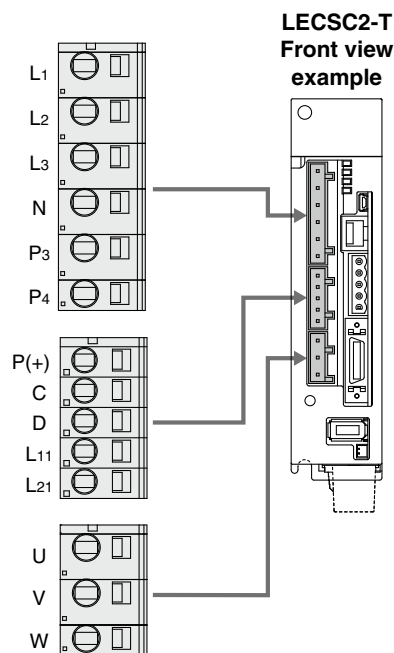
Terminal name	Function	Details
L1	Main circuit power supply	Connect the main circuit power supply. LECS2-T: Single phase 200 to 230 VAC, 50/60 Hz Connection terminal: L1, L2 Three phase 200 to 230 VAC, 50/60 Hz Connection terminal: L1, L2, L3
L2		
L3		
N	Do not connect.	
P3	Connect between P3 and P4. (Connected at time of shipping)	
P4		

### Control Circuit Power Supply Connector: CNP2 \* Accessory

Terminal name	Function	Details
P(+)	Regeneration option	Connect between P and D. (Connected at time of shipping) * If regeneration option is required for "Model Selection," connect to this terminal.
C		
D		
L11	Control circuit power supply	Connect the control circuit power supply. LECS2-T: Single phase 200 to 230 VAC, 50/60 Hz Connection terminal: L11, L21
L21		

### Motor Connector: CNP3 \* Accessory

Terminal name	Function	Details
U	Servo motor power (U)	Connect to motor cable (U, V, W).
V	Servo motor power (V)	
W	Servo motor power (W)	



LECS□/LECS□-T Series

LECY□ Series

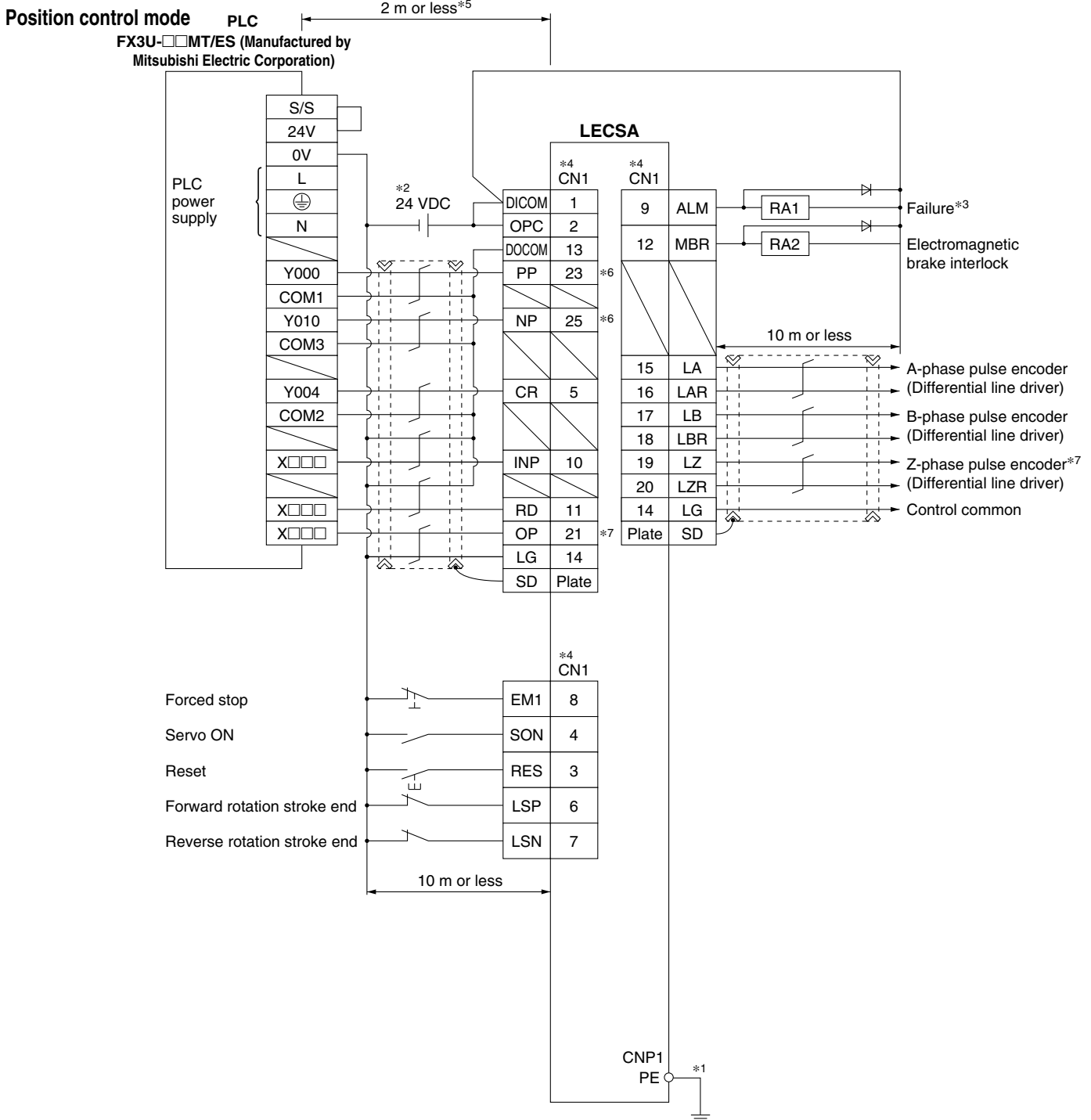
Specific Product Precautions

# LECS□/LECS□-T Series

## Control Signal Wiring Example: LECSA

### LECSA□-□

This wiring example shows connection with a PLC (FX3U-□□MT/ES) manufactured by Mitsubishi Electric Corporation as when used in position control mode. Refer to the LECSA series Operation Manual and any technical literature or operation manuals for your PLC and positioning unit before connecting to another PLC or positioning unit.

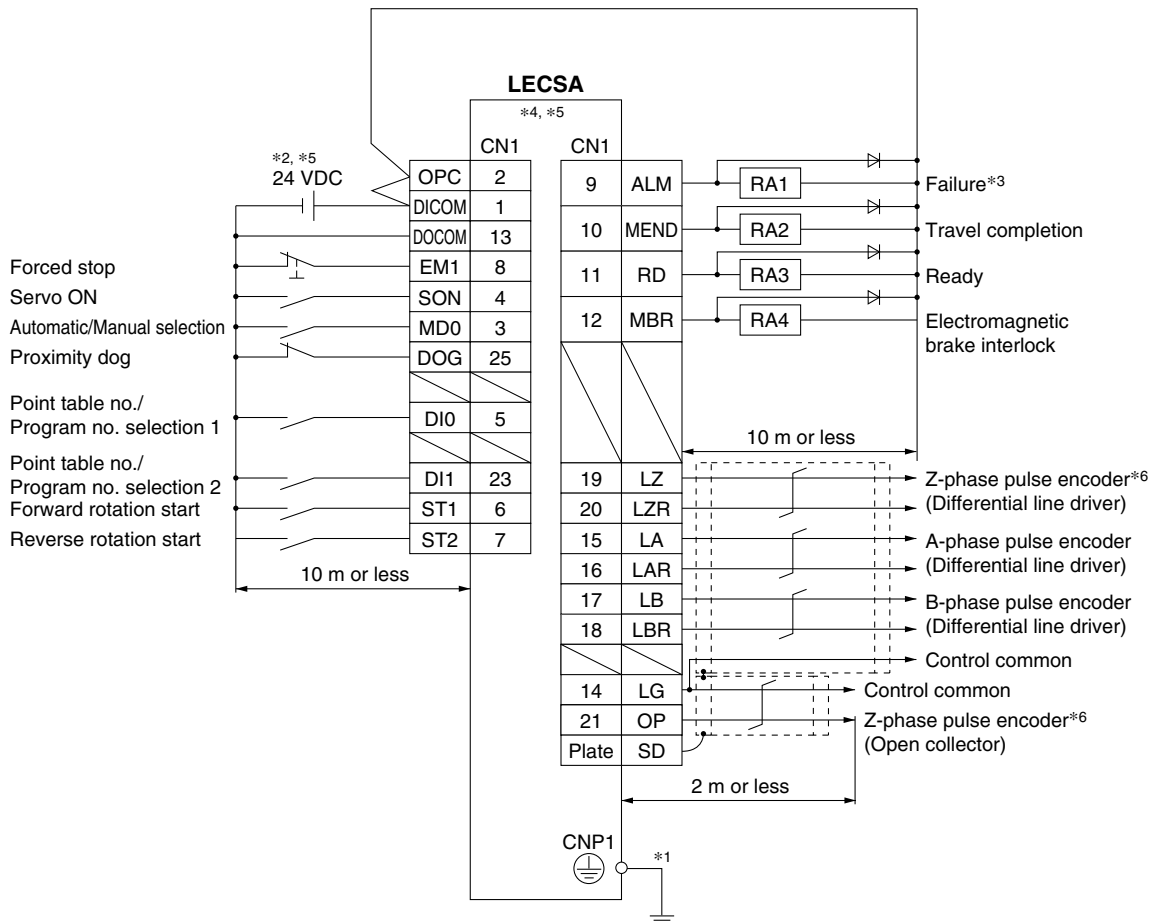


- \*1 For preventing electric shock, be sure to connect the driver main circuit power supply connector (CNP1)'s protective earth (PE) terminal (marked ⊕) to the control panel's protective earth (PE).
- \*2 For interface use, supply 24 VDC ±10% 200 mA using an external source. 200 mA is the value when all I/O command signals are being used. In addition, reducing the number of inputs/outputs can decrease the current capacity. Refer to the Operation Manual for required current for interface.
- \*3 The failure (ALM) is normally ON. When it is OFF (alarm occurs), stop the PLC signal using the sequence program.
- \*4 Signals of the same name are connected inside the driver.
- \*5 For command pulse input with an open collector method. When a positioning unit loaded with a differential line driver method is used, it is 10 m or less.
- \*6 If the command pulse input is open collector method, it supports only the sink (NPN) type interface. It does not correspond to the source (PNP) type interface.
- \*7 The Z-phase pulse encoder corresponds to the differential line driver method and the open collector method. If the Z-phase pulse encoder is using the open collector method, it supports only the sink (NPN) type interface. It does not correspond to the source (PNP) type interface.

## Control Signal Wiring Example: LECSA

In this wiring example, the device of the CN1-10 pin in the initial status has been changed to the device shown below. For details on the device and changing method, refer to the LECSA series Operation Manual.  
 CN1-10: MEND (Travel completion)

### Positioning mode (Point table method) For sink (NPN) I/O interface



- \*1 For preventing electric shock, be sure to connect the driver's protective earth (PE) terminal (marked ⊕) to the control panel's protective earth (PE).
- \*2 For interface use, supply 24 VDC ±10% 200 mA using an external source. 200 mA is the value when all I/O command signals are being used. In addition, reducing the number of inputs/outputs can decrease the current capacity.
- \*3 The failure (ALM) is normally ON.
- \*4 Signals of the same name are connected inside the driver.
- \*5 The wiring example is for the sink (NPN) type interface. Refer to the LECSA series Operation Manual for the source (PNP) type interface. Note that the 23 pin and 25 pin cannot be used for the source type interface.
- \*6 The Z-phase pulse encoder corresponds to the differential line driver method and the open collector method. If the Z-phase pulse encoder is using the open collector method, it supports only the sink (NPN) type interface. It does not correspond to the source (PNP) type interface.

**LECS□/LECS□-T Series**

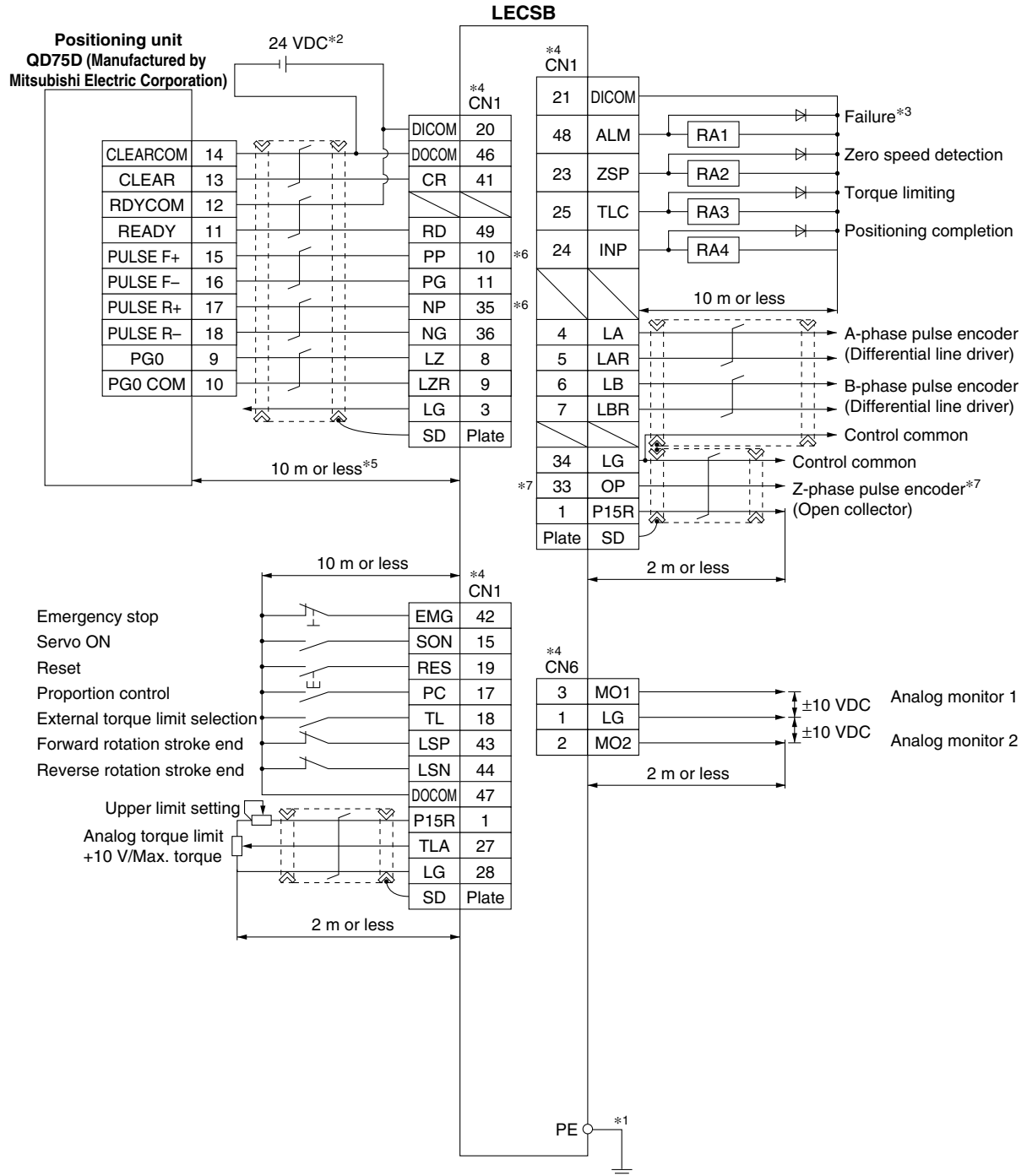
**LECY□ Series**

**Specific Product Precautions**

# LECS□/LECS□-T Series

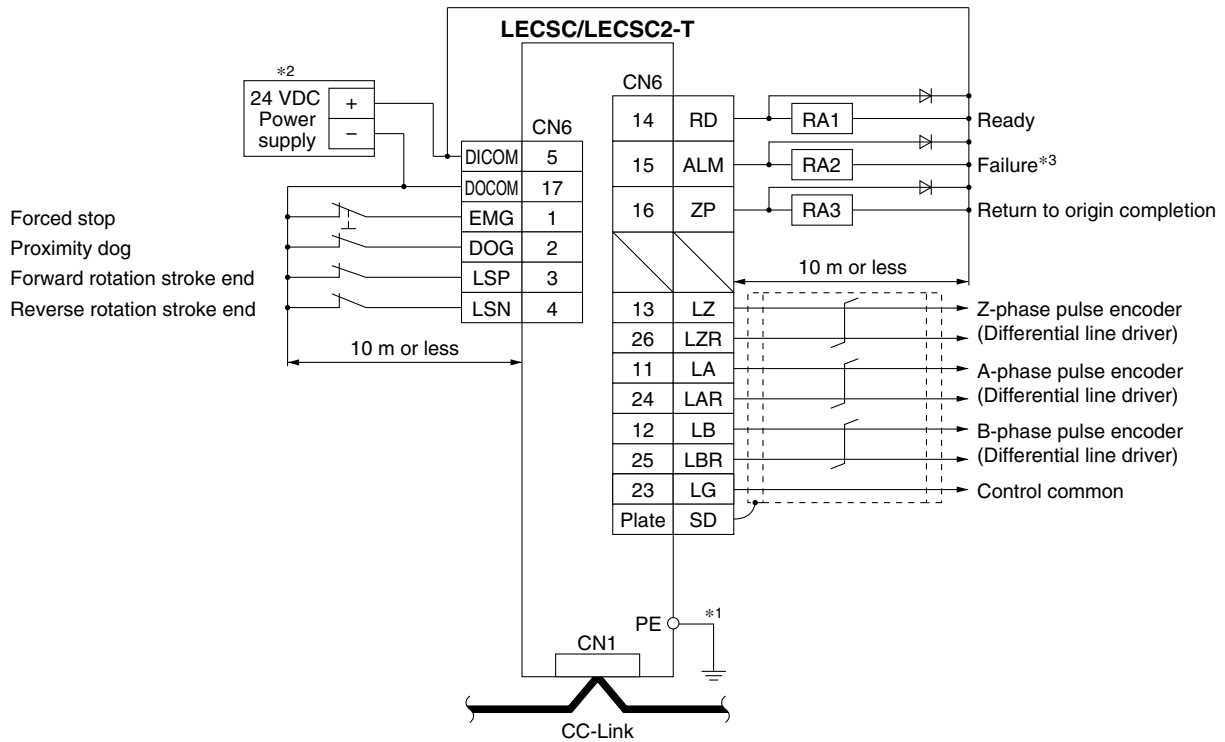
## Control Signal Wiring Example: LECSB

This wiring example shows connection with a positioning unit (QD75D) manufactured by Mitsubishi Electric Corporation as when used in position control mode. Refer to the LECSB series Operation Manual and any technical literature or operation manuals for your PLC and positioning unit before connecting to another PLC or positioning unit.



- \*1 For preventing electric shock, be sure to connect the driver's protective earth (PE) terminal (marked ⊕) to the control panel's protective earth (PE).
- \*2 For interface use, supply 24 VDC  $\pm 10\%$  300 mA using an external source.
- \*3 The failure (ALM) is normally ON. When it is OFF (alarm occurs), stop the PLC signal using the sequence program.
- \*4 Signals of the same name are connected inside the driver.
- \*5 For command pulse input with a differential line driver method. For open collector method, it is 2 m or less.
- \*6 If the command pulse input is open collector method, it supports only the sink (NPN) type interface. It does not correspond to the source (PNP) type interface.
- \*7 The Z-phase pulse encoder corresponds to the differential line driver method and the open collector method. If the Z-phase pulse encoder is using the open collector method, it supports only the sink (NPN) type interface. It does not correspond to the source (PNP) type interface.

**Control Signal Wiring Example: LECS□, LECS□-T□**



\*1 For preventing electric shock, be sure to connect the driver's protective earth (PE) terminal (marked ⊕) to the control panel's protective earth (PE).

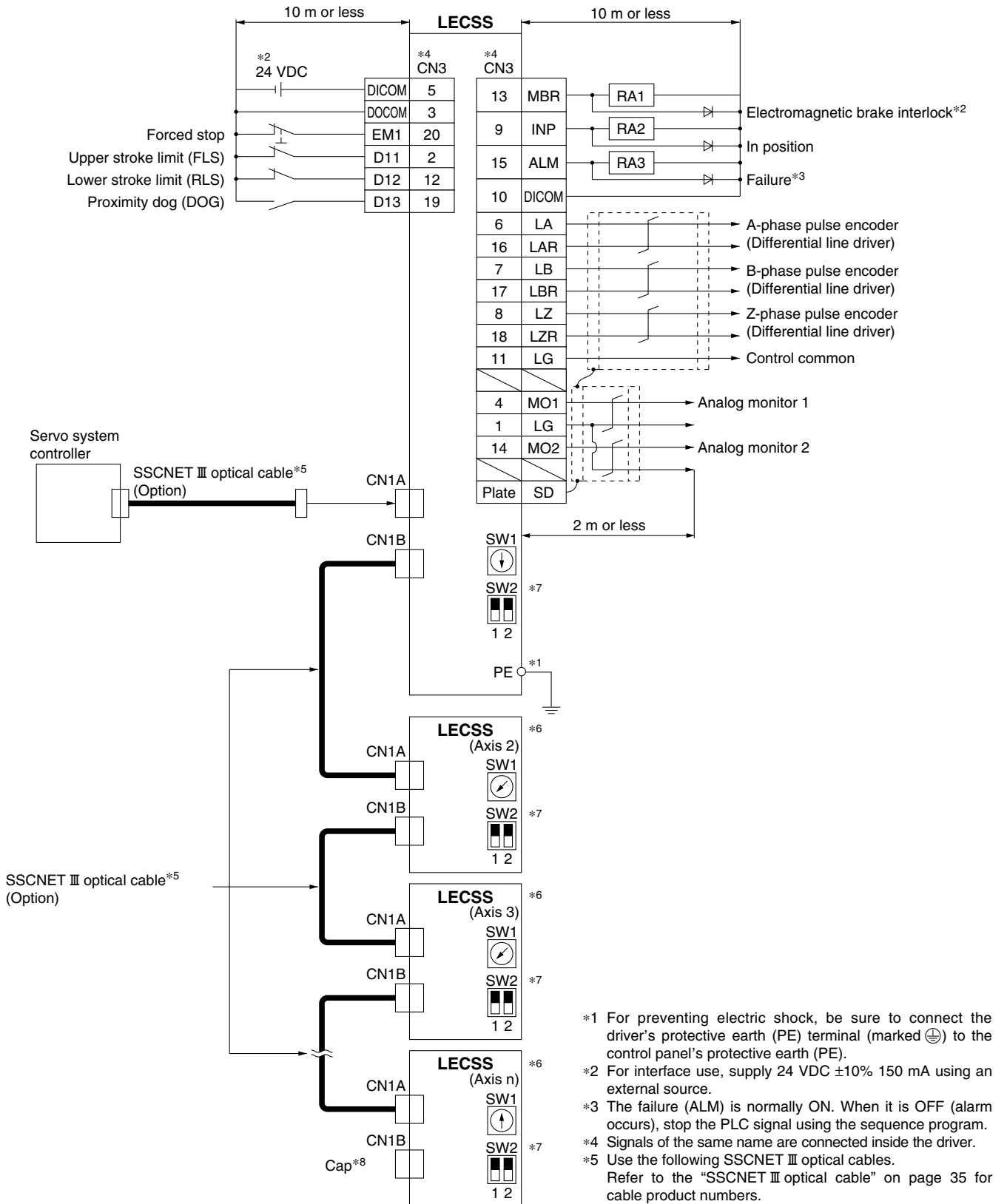
\*2 For interface use, supply 24 VDC ±10% 150 mA using an external source.

\*3 The failure (ALM) is normally ON. When it is OFF (alarm occurs), stop the PLC signal using the sequence program.



# LECS□/LECS□-T Series

## Control Signal Wiring Example: LECSS



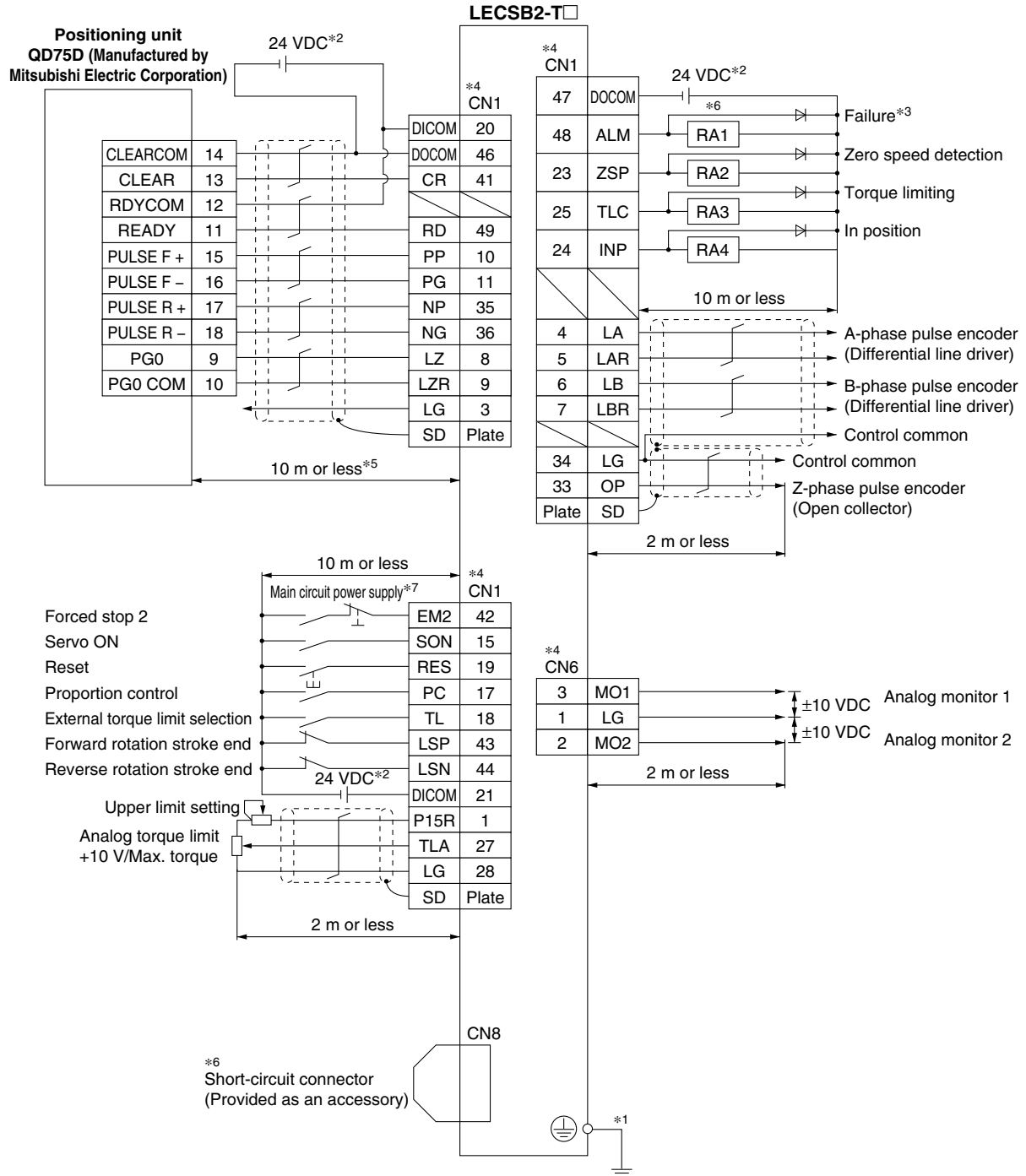
Cable	Product no.	Cable length
SSCNET III optical cable	LE-CSS-□	0.15 m to 3 m

- \*6 Connections from Axis 2 onward are omitted.
- \*7 Up to 16 axes can be set.
- \*8 Be sure to place a cap on unused CN1A/CN1B.

## Control Signal Wiring Example: LECSB2-T□

This wiring example shows connection with a positioning unit (QD75D) manufactured by Mitsubishi Electric Corporation as when used in position control mode. Refer to the LECSB2-T series Operation Manual and any technical literature or operation manuals for your PLC and positioning unit before connecting to another PLC or positioning unit.

### Position control mode For sink (NPN) I/O interface



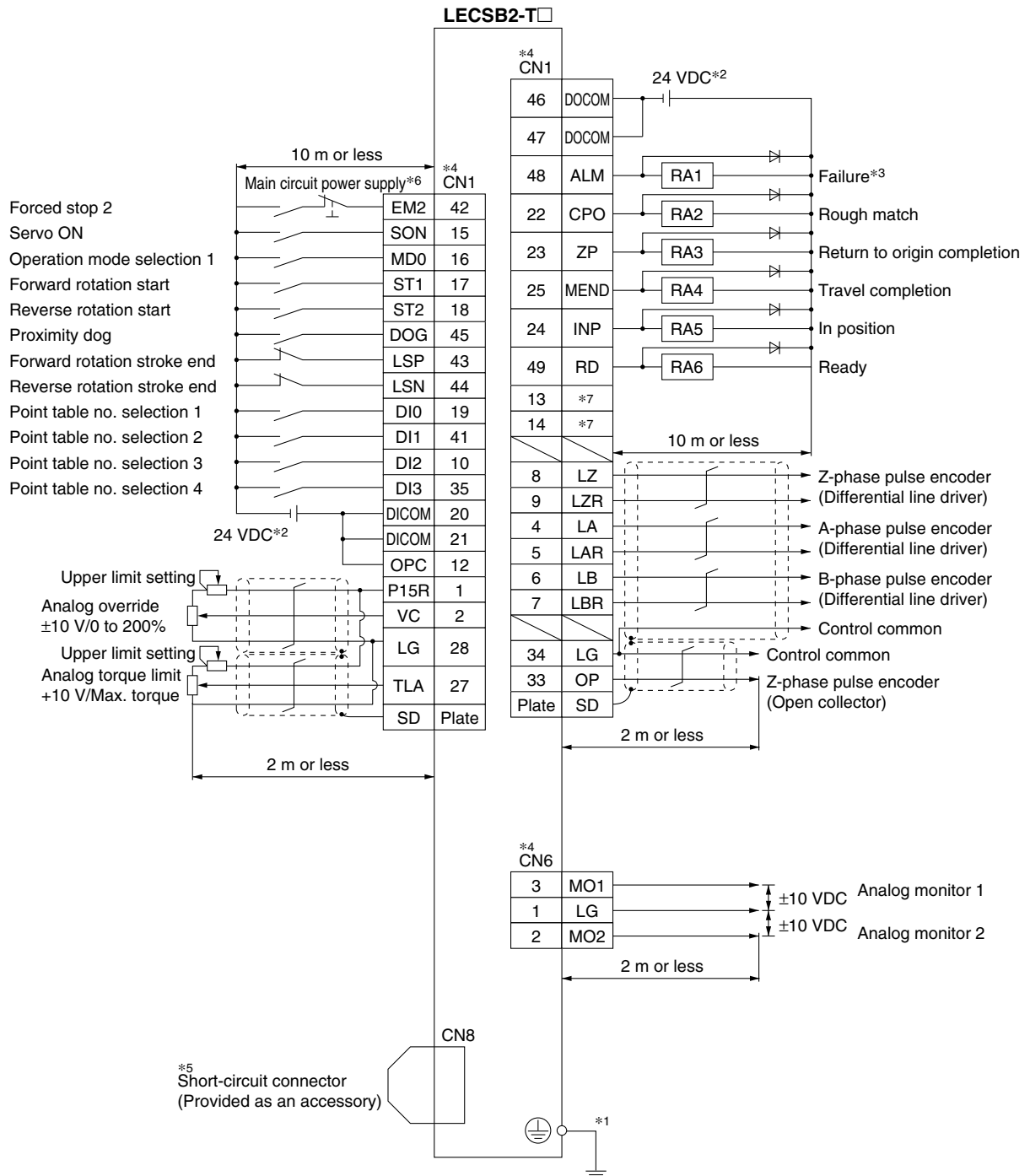
\*1 For preventing electric shock, be sure to connect the driver's protective earth (PE) terminal (marked  $\oplus$ ) to the control panel's protective earth (PE).  
 \*2 For interface use, supply 24 VDC  $\pm 10\%$  using an external source. Set the total current capacity to 500 mA. 500 mA is the value when all I/O command signals are being used. In addition, reducing the number of inputs/outputs can decrease the current capacity.  
 \*3 The failure (ALM) is normally ON. When it is OFF (alarm occurs), stop the PLC signal using the sequence program.  
 \*4 Signals of the same name are connected inside the driver.  
 \*5 For command pulse input with a differential line driver method. For open collector method, it is 2 m or less.  
 \*6 When not using the STO function, use the driver with the short-circuit connector (provided as an accessory) inserted.  
 \*7 Configure a circuit to turn off EM2 when the main circuit power is turned off to prevent any unexpected restarts of the driver.

# LECS□/LECS□-T Series

## Control Signal Wiring Example: LECSB2-T□

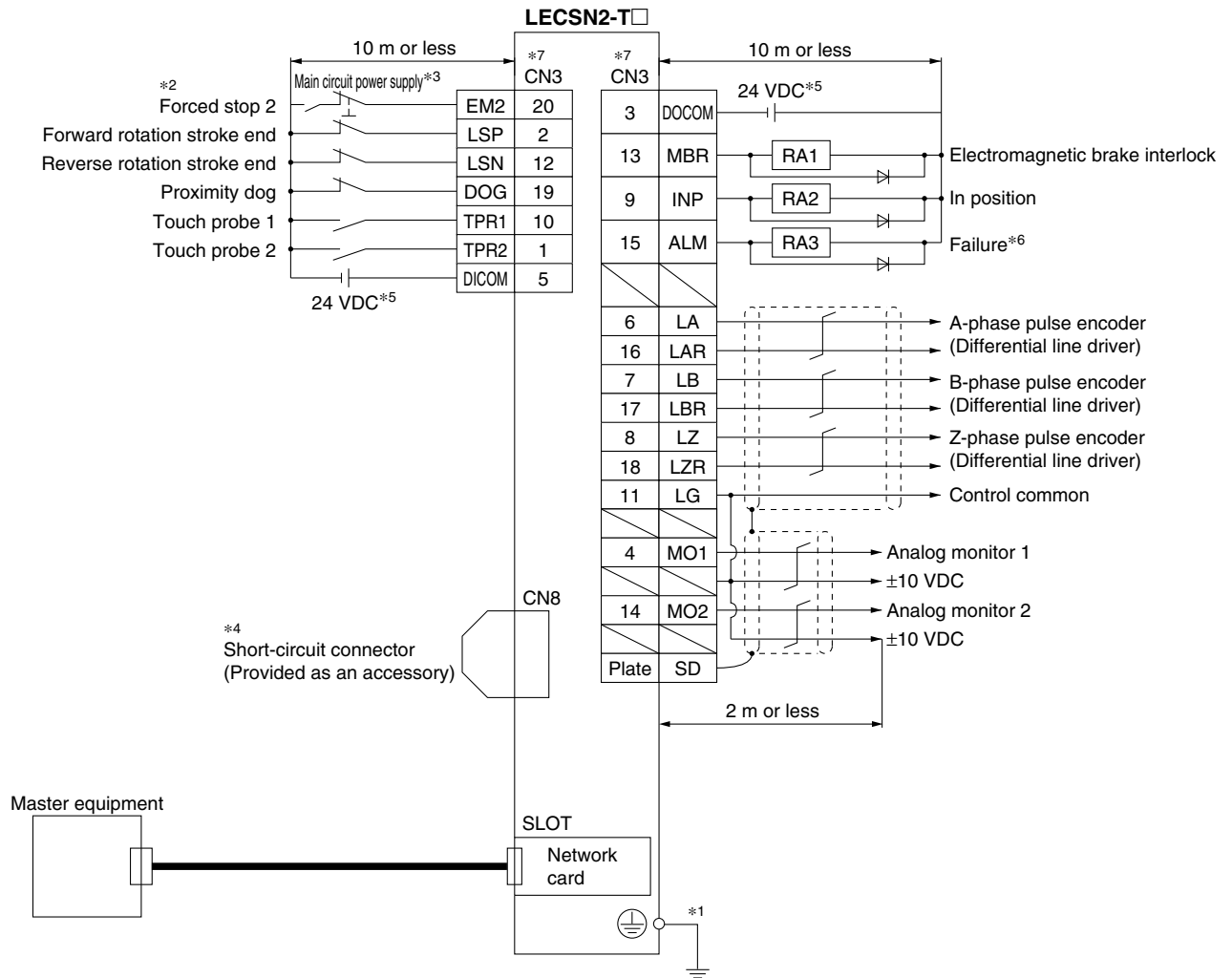
In this wiring example, the devices of the CN1-22 pin, CN1-23 pin, and CN1-25 pin in the initial status have been changed to the devices shown below. For details on the devices and changing method, refer to the LECSB2-T series Operation Manual.  
 CN1-22: CPO (Rough match)/CN1-23: ZP (Return to origin completion)/CN1-25: MEND (Travel completion)

### Positioning mode (Point table method) For sink (NPN) I/O interface



- \*1 For preventing electric shock, be sure to connect the servo amplifier's protective earth (PE) terminal (marked ⊕) to the control panel's protective earth (PE).
- \*2 For interface use, supply 24 VDC  $\pm 10\%$  using an external source. Set the total current capacity to 500 mA. 500 mA is the value when all I/O command signals are being used. In addition, reducing the number of inputs/outputs can decrease the current capacity.
- \*3 The ALM (Failure) is normally ON. (Normally closed contact)
- \*4 Signals of the same name are connected inside the servo amplifier.
- \*5 When not using the STO function, use the servo amplifier with the short-circuit connector (provided as an accessory) inserted.
- \*6 Configure a circuit to turn off EM2 when the main circuit power is turned off to prevent any unexpected restarts of the driver.
- \*7 Output devices are not assigned in the initial status. Assign the output devices as necessary.

## Control Signal Wiring Example: LECSN2-T□

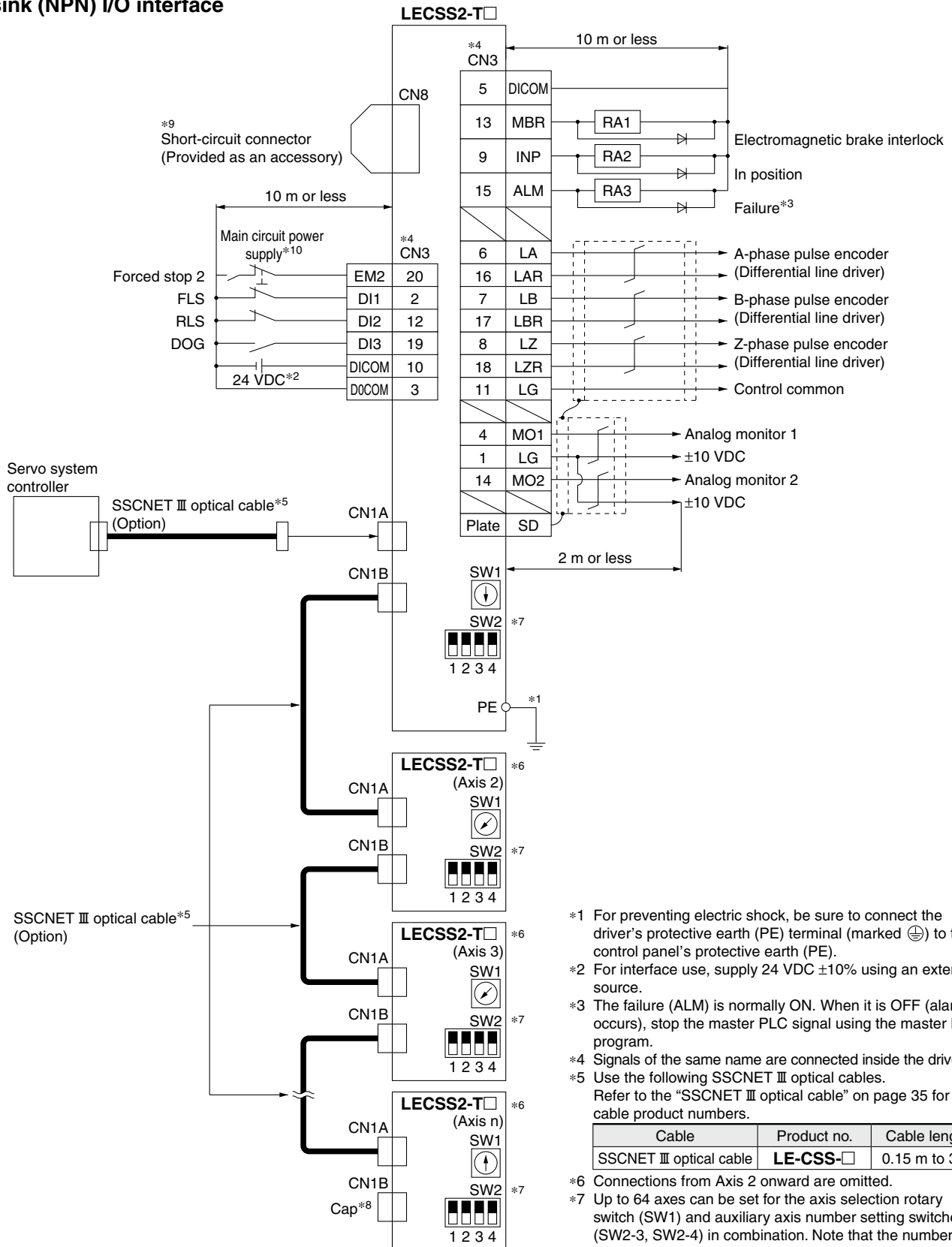


- \*1 For preventing electric shock, be sure to connect the driver's protective earth (PE) terminal (marked ⊕) to the control panel's protective earth (PE).
- \*2 If the master equipment does not have forced stop function, always install the forced stop 2 switch (normally closed contact).
- \*3 Configure a circuit to turn off EM2 when the main circuit power is turned off to prevent any unexpected restarts of the driver.
- \*4 When not using the STO function, use the driver with the short-circuit connector (provided as an accessory) inserted.
- \*5 For interface use, supply 24 VDC  $\pm 10\%$  using an external source. Set the total current capacity to 300 mA. 300 mA is the value when all I/O command signals are being used. In addition, reducing the number of inputs/outputs can decrease the current capacity.
- \*6 The ALM (Failure) is normally ON. (Normally closed contact)
- \*7 Signals of the same name are connected inside the driver.

# LECS□/LECS□-T Series

## Control Signal Wiring Example: LECSS2-T□

For sink (NPN) I/O interface



- \*1 For preventing electric shock, be sure to connect the driver's protective earth (PE) terminal (marked  $\oplus$ ) to the control panel's protective earth (PE).
- \*2 For interface use, supply 24 VDC  $\pm 10\%$  using an external source.
- \*3 The failure (ALM) is normally ON. When it is OFF (alarm occurs), stop the master PLC signal using the master PLC program.
- \*4 Signals of the same name are connected inside the driver.
- \*5 Use the following SSCNET III optical cables. Refer to the "SSCNET III optical cable" on page 35 for cable product numbers.

Cable	Product no.	Cable length
SSCNET III optical cable	LE-CSS-□	0.15 m to 3 m

- \*6 Connections from Axis 2 onward are omitted.
- \*7 Up to 64 axes can be set for the axis selection rotary switch (SW1) and auxiliary axis number setting switches (SW2-3, SW2-4) in combination. Note that the number of connection axes depends on the specifications of the master PLC.
- \*8 Be sure to place a cap on unused CN1A/CN1B.
- \*9 When not using the STO function, use the driver with the short-circuit connector (provided as an accessory) inserted.
- \*10 Configure a circuit to turn off EM2 when the main circuit power is turned off to prevent any unexpected restarts of the driver.



**Options**

Motor cable, Lock cable, Encoder cable (LECS□, LECS□-T common)

**LE - CSM - S 5 A**

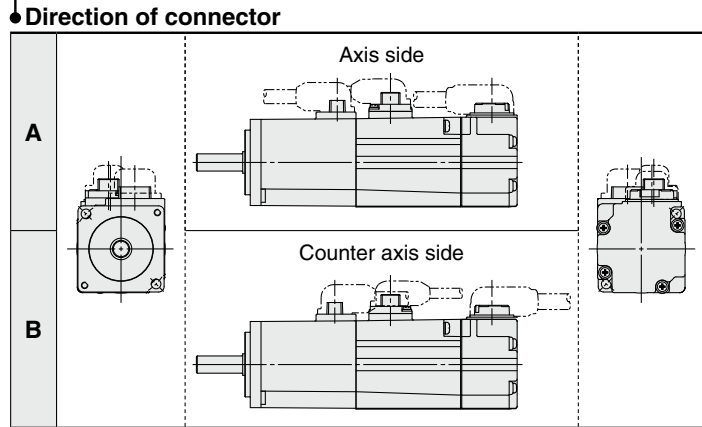
**Motor type**  
**S** AC servo motor

**Cable description**  
**M** Motor cable  
**B** Lock cable  
**E** Encoder cable

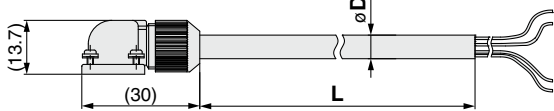
**Cable type**  
**S** Standard cable  
**R** Robotic cable

**Cable length (L) [m]**

<b>2</b>	2
<b>5</b>	5
<b>A</b>	10



**LE-CSM-□□: Motor cable**



Product no.	øD
<b>LE-CSM-S□A</b>	6.2
<b>LE-CSM-S□B</b>	6.2
<b>LE-CSM-R□A</b>	5.7
<b>LE-CSM-R□B</b>	5.7

**Weight**

Product no.	Length [m]	Weight [g]
<b>LE-CSM-S2□</b>	2	180
<b>LE-CSM-S5□</b>	5	400
<b>LE-CSM-SA□</b>	10	800
<b>LE-CSM-R2□</b>	2	180
<b>LE-CSM-R5□</b>	5	400
<b>LE-CSM-RA□</b>	10	800

**LE-CSB-□□: Lock cable\*1**



Product no.	øD
<b>LE-CSB-S□A</b>	4.7
<b>LE-CSB-S□B</b>	4.7
<b>LE-CSB-R□A</b>	4.5
<b>LE-CSB-R□B</b>	4.5

**Weight**

Product no.	Length [m]	Weight [g]
<b>LE-CSB-S2□</b>	2	80
<b>LE-CSB-S5□</b>	5	200
<b>LE-CSB-SA□</b>	10	400
<b>LE-CSB-R2□</b>	2	80
<b>LE-CSB-R5□</b>	5	200
<b>LE-CSB-RA□</b>	10	400

**LE-CSE-□□: Encoder cable**



**Weight**

Product no.	Length [m]	Weight [g]
<b>LE-CSE-S2□</b>	2	220
<b>LE-CSE-S5□</b>	5	600
<b>LE-CSE-SA□</b>	10	1200
<b>LE-CSE-R2□</b>	2	220
<b>LE-CSE-R5□</b>	5	600
<b>LE-CSE-RA□</b>	10	1200

\*1 If using an actuator with a lock, a lock cable is required.

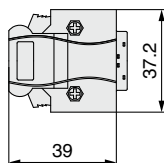
**I/O connector (Without cable, Connector only)**

**LE - CSN A**

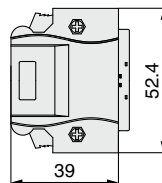
**Driver type**

<b>A</b>	<b>LECSA□, LECS□-S□/LECS□-T□</b>
<b>B</b>	<b>LECSB□-S□/LECSB2-T□</b>
<b>S</b>	<b>LECSN2-T□, LECSS□-S□/LECSS2-T□</b>

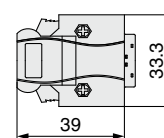
**LE-CSNA**



**LE-CSNB**



**LE-CSNS**



**Weight**

Product no.	Weight [g]
<b>LE-CSNA</b>	25
<b>LE-CSNB</b>	30
<b>LE-CSNS</b>	16

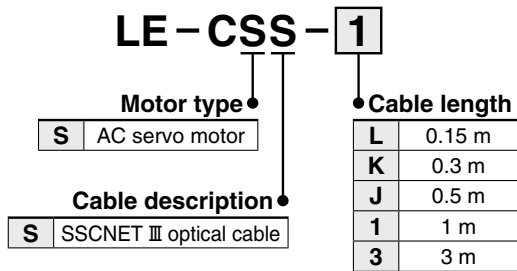
\* LE-CSNA: 10126-3000PE (connector)/10326-52F0-008 (shell kit) manufactured by 3M Japan Limited or equivalent  
 LE-CSNB: 10150-3000PE (connector)/10350-52F0-008 (shell kit) manufactured by 3M Japan Limited or equivalent  
 LE-CSNS: 10120-3000PE (connector)/10320-52F0-008 (shell kit) manufactured by 3M Japan Limited or equivalent

\* Applicable conductor size: AWG24 to 30  
 \* If using the LECSB, emergency stop (EMG) wiring is required in all cases. If using the LECSB-T in any mode other than positioning mode, forced stop (EM2) wiring is required in all cases. (The electric actuator will not operate without the wiring.)  
 Prepare an I/O connector or an I/O cable in advance.

# LECS□/LECS□-T Series

## Options

SSCNET III optical cable (LECSS□-S□, LECS2-T□)

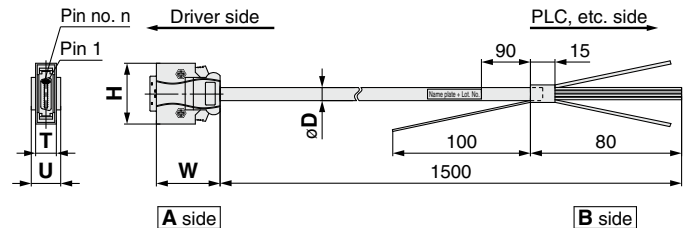
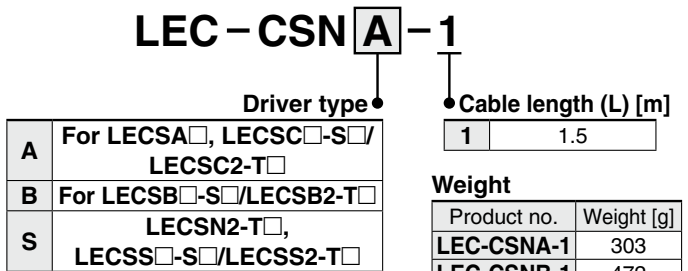


\* LE-CSS-□ is MR-J3BUS□M manufactured by Mitsubishi Electric Corporation.

### Weight

Product no.	Length [m]	Weight [g]
LE-CSS-L	0.15	100
LE-CSS-K	0.3	100
LE-CSS-J	0.5	200
LE-CSS-1	1	200
LE-CSS-3	3	200

I/O cable



- \* LEC-CSNA-1: 10126-3000PE (connector)/10326-52F0-008 (shell kit) manufactured by 3M Japan Limited or equivalent
- \* LEC-CSNB-1: 10150-3000PE (connector)/10350-52F0-008 (shell kit) manufactured by 3M Japan Limited or equivalent
- \* LEC-CSNS-1: 10120-3000PE (connector)/10320-52F0-008 (shell kit) manufactured by 3M Japan Limited or equivalent
- \* Conductor size: AWG24
- \* If using the LECSB, emergency stop (EMG) wiring is required in all cases. If using the LECSB-T in any mode other than positioning mode, forced stop (EM2) wiring is required in all cases. (The electric actuator will not operate without the wiring.)
- \* Prepare an I/O connector or an I/O cable in advance.

### Cable O.D.

Product no.	øD
LEC-CSNA-1	11.1
LEC-CSNB-1	13.8
LEC-CSNS-1	9.1

### Dimensions/Pin Nos.

Product no.	W	H	T	U	Pin no. n
LEC-CSNA-1	39	37.2	12.7	14	14
LEC-CSNB-1		52.4		18	26
LEC-CSNS-1		33.3		14	21

## Wiring

LEC-CSNA-1: Pin nos. 1 to 26

LEC-CSNB-1: Pin nos. 1 to 50

LEC-CSNS-1: Pin nos. 1 to 20

Connector pin no.	Pair no. of wire	Insulation color	Dot mark	Dot color	
A side	1	1	Orange	■	Red
	2	1	Orange	■	Black
	3	2	Light gray	■	Red
	4	2	Light gray	■	Black
	5	3	White	■	Red
	6	3	White	■	Black
	7	4	Yellow	■	Red
	8	4	Yellow	■	Black
	9	5	Pink	■	Red
	10	5	Pink	■	Black
	11	6	Orange	■ ■	Red
	12	6	Orange	■ ■	Black
	13	7	Light gray	■ ■	Red
	14	7	Light gray	■ ■	Black
	15	8	White	■ ■	Red
	16	8	White	■ ■	Black
	17	9	Yellow	■ ■	Red
	18	9	Yellow	■ ■	Black

Connector pin no.	Pair no. of wire	Insulation color	Dot mark	Dot color	
A side	19	10	Pink	■ ■	Red
	20	10	Pink	■ ■	Black
	21	11	Orange	■ ■ ■	Red
	22	11	Orange	■ ■ ■	Black
	23	12	Light gray	■ ■ ■	Red
	24	12	Light gray	■ ■ ■	Black
	25	13	White	■ ■ ■	Red
	26	13	White	■ ■ ■	Black
	27	14	Yellow	■ ■ ■	Red
	28	14	Yellow	■ ■ ■	Black
	29	15	Pink	■ ■ ■ ■	Red
	30	15	Pink	■ ■ ■ ■	Black
	31	16	Orange	■ ■ ■ ■	Red
	32	16	Orange	■ ■ ■ ■	Black
	33	17	Light gray	■ ■ ■ ■	Red
	34	17	Light gray	■ ■ ■ ■	Black

Connector pin no.	Pair no. of wire	Insulation color	Dot mark	Dot color	
A side	35	18	White	■ ■ ■ ■ ■	Red
	36	18	White	■ ■ ■ ■ ■	Black
	37	19	Yellow	■ ■ ■ ■ ■	Red
	38	19	Yellow	■ ■ ■ ■ ■	Black
	39	20	Pink	■ ■ ■ ■ ■	Red
	40	20	Pink	■ ■ ■ ■ ■	Black
	41	21	Orange	■ ■ ■ ■ ■ ■	Red
	42	21	Orange	■ ■ ■ ■ ■ ■	Black
	43	22	Light gray	■ ■ ■ ■ ■ ■	Red
	44	22	Light gray	■ ■ ■ ■ ■ ■	Black
	45	23	White	■ ■ ■ ■ ■ ■	Red
	46	23	White	■ ■ ■ ■ ■ ■	Black
	47	24	Yellow	■ ■ ■ ■ ■ ■	Red
	48	24	Yellow	■ ■ ■ ■ ■ ■	Black
	49	25	Pink	■ ■ ■ ■ ■ ■	Red
	50	25	Pink	■ ■ ■ ■ ■ ■	Black

**Options**

Regeneration option (LECS□ common)

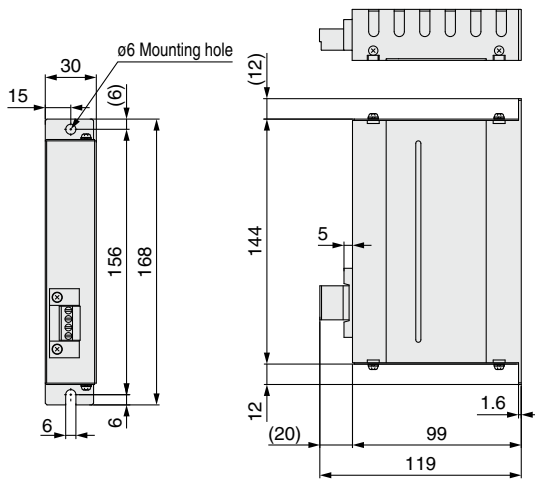
**LEC-MR-RB-12**

Regeneration option type

<b>032</b>	Allowable regenerative power 30 W
<b>12</b>	Allowable regenerative power 100 W

\* Confirm regeneration option to be used in "Model Selection."

**LEC-MR-RB-032**

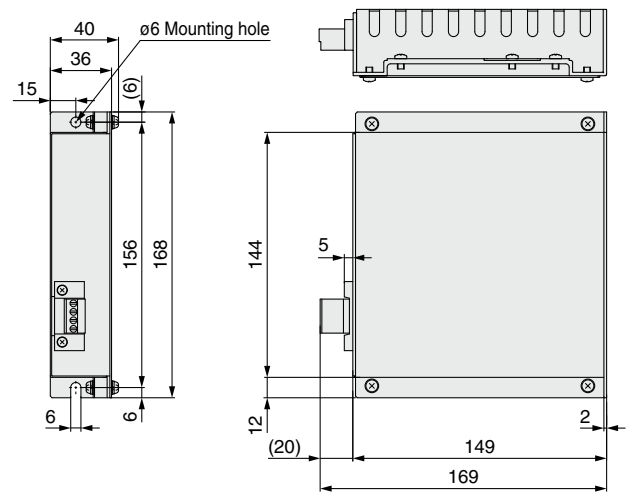


Weight

Product no.	Weight [kg]
<b>LEC-MR-RB-032</b>	0.5

\* MR-RB032 manufactured by Mitsubishi Electric Corporation

**LEC-MR-RB-12**



Weight

Product no.	Weight [kg]
<b>LEC-MR-RB-12</b>	1.1

\* MR-RB12 manufactured by Mitsubishi Electric Corporation

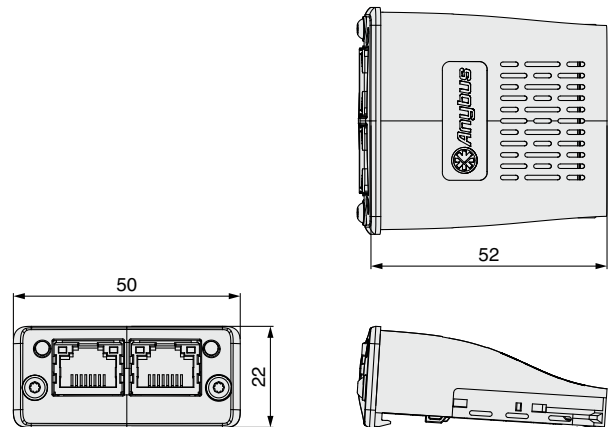
Network card (LECSN2-T□)

**LEC-S-NE**

Network card type

<b>NE</b>	EtherCAT
<b>N9</b>	EtherNet/IP™
<b>NP</b>	PROFINET

LEC-S□ common



Weight

Product no.	Weight [g]
<b>LEC-S-□</b>	30

LECS□/LECS□-T Series

LECY□ Series

Specific Product Precautions

# LECS□/LECS□-T Series

## Options



Setup software (MR Configurator2™) (LECSA, LECSB, LECS□, LECS□S, LECSB2-T□, LECS□2-T□, LECS□2-T□, LECSN2-T□ common)

### LEC-MRC2□

#### Display language

Nil	Japanese version
E	English version
C	Chinese version

\* SW1DNC-MRC2□ manufactured by Mitsubishi Electric Corporation  
Refer to Mitsubishi Electric Corporation's website for operating environment and version upgrade information.  
MR Configurator2™ is a registered trademark or trademark of Mitsubishi Electric Corporation.

Adjustment, waveform display, diagnostics, parameter read/write, and test operation can be performed upon a PC.

### Compatible PC

When using setup software (MR Configurator2™), use an IBM PC/AT compatible PC that meets the following operating conditions.

### Hardware Requirements

Equipment		Setup software (MR Configurator2™) LEC-MRC2□	
*1, 2, 3, 4, 5, 6, 7, 8, 9, 10 PC	OS	Microsoft® Windows® 10 Edition Microsoft® Windows® 10 Enterprise Microsoft® Windows® 10 Pro Microsoft® Windows® 10 Home Microsoft® Windows® 8.1 Enterprise Microsoft® Windows® 8.1 Pro Microsoft® Windows® 8.1 Microsoft® Windows® 8 Enterprise Microsoft® Windows® 8 Pro Microsoft® Windows® 8 Microsoft® Windows® 7 Ultimate Microsoft® Windows® 7 Enterprise Microsoft® Windows® 7 Professional Microsoft® Windows® 7 Home Premium Microsoft® Windows® 7 Starter Microsoft® Windows Vista® Ultimate Microsoft® Windows Vista® Enterprise Microsoft® Windows Vista® Business Microsoft® Windows Vista® Home Premium Microsoft® Windows Vista® Home Basic Microsoft® Windows® XP Professional, Service Pack 3 or later Microsoft® Windows® XP Home Edition, Service Pack 3 or later	*1 Before using a PC for setting LECSA point table method/program operation method, upgrade to version 1.18U (Japanese version)/ version 1.19V (English version) or later. Refer to Mitsubishi Electric Corporation's website for version upgrade information. *2 Windows® and Windows Vista® are registered trademarks of Microsoft Corporation in the United States and other countries. *3 On some PCs, setup software (MR Configurator2™) may not run properly. *4 The following functions cannot be used. If any of the following functions is used, this product may not operate normally. · Start of application in Windows® compatible mode · Fast User Switching · Remote Desktop · Windows XP Mode · Windows Touch or Touch · Modern UI · Client Hyper-V · Tablet Mode · Virtual desktop · 64-bit OSs are not supported, except for Microsoft® Windows®7 or later.
	Hard disk	1 GB or more of free space	*5 Multi-display is set, the screen of this product may not operate normally.
	Communication interface	Use USB port.	*6 The size of the text or other items on the screen is not changed to the specified value (96 DPI, 100%, 9 pt, etc.), the screen of this product may not operate normally.
Display	Resolution 1024 x 768 or more Must be capable of high color (16-bit) display. Connectable with the PC above		*7 Changed the resolution of the screen during operating, the screen of this product may not operate normally. *8 Please use by "Standard User," "Administrator" in Windows Vista® or later.
Keyboard	Connectable with the PC above		*9 Using a PC for setting Windows®10, upgrade to version 1.52E or later.
Mouse	Connectable with the PC above		Using a PC for setting Windows®8.1, upgrade to version 1.25B or later.
Printer	Connectable with the PC above		Using a PC for setting Windows®8, upgrade to version 1.20W or later.
USB cable*11	LEC-MR-J3USB		Refer to Mitsubishi Electric Corporation's website for version upgrade information. *10 If .NET Framework 3.5 (including .NET 2.0 and 3.0) have been disabled in Windows®7 or later, it is necessary to enable it. *11 Order USB cable separately. · This cable is compatible with the setup software (MR Configurator2™: LEC-MR-SETUP221□).

### Setup Software Compatible Drivers

Compatible driver	Setup software	
	MR Configurator2™ LEC-MR-SETUP221□	MR Configurator2™ LEC-MRC2□
LECSA	○	○
LECSB□-S□	○	○
LECS□-S□	○	○
LECS□S□-S□	○	○
LECSB2-T□	—	○
LECS□2-T□	—	○
LECS□2-T□	—	○
LECSN2-T□	—	○

**Options**

**USB cable (3 m)**  
 (LECSA, LECSB, LECSA, LECSB, LECSB-T,  
 LECSA-T, LECSN-T, LECSA-T common)

**LEC – MR – J3USB**

\* MR-J3USBCBL3M manufactured by Mitsubishi Electric Corporation  
 Weight: 140 g

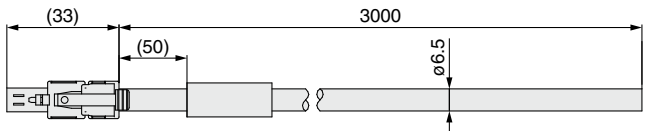
Cable for connecting PC and driver when using the setup software (MR Configurator2™)  
 Do not use any cable other than this cable.

**STO cable (3 m)**  
 (Only for LECSB2-T□, LECSN2-T□, and LECSA2-T□)

**LEC – MR – D05UDL3M**

\* MR-D05UDL3M manufactured by Mitsubishi Electric Corporation

Cable for connecting the driver and device, when using the safety function  
 Do not use any cable other than this cable.



Weight: 500 g

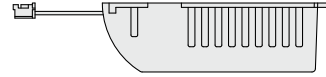
**Battery**

**LEC – MR – J3BAT**

\* MR-J3BAT manufactured by Mitsubishi Electric Corporation

Battery for replacement

Absolute position data is maintained by installing the battery to the driver.



Weight: 30 g

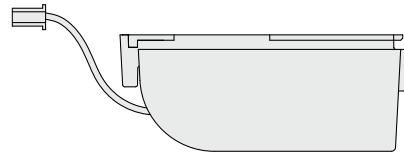
\* The LEC-MR-J3BAT is a single battery that uses lithium metal battery ER6V. When transporting lithium metal batteries and devices with built-in lithium metal batteries by a method subject to UN regulations, it is necessary to apply measures according to the regulations stipulated in the United Nations Recommendations on the Transport of Dangerous Goods, the Technical Instructions (ICAO-TI) of the International Civil Aviation Organization (ICAO), and the International Maritime Dangerous Goods Code (IMDG CODE) of the International Maritime Organization (IMO). If a customer is transporting products such as shown above, it is necessary to confirm the latest regulations, or the laws and regulations of the country of transport on your own, in order to apply the proper measures. Please contact SMC sales representative for details.

**LEC – MR – BAT6V1SET**

\* MR-BAT6V1SET manufactured by Mitsubishi Electric Corporation

Battery for replacement

Absolute position data is maintained by installing the battery to the driver.



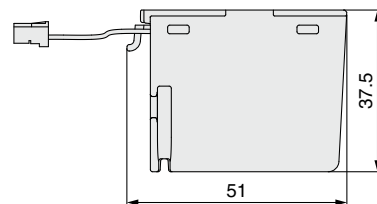
Weight: 60 g

**LEC – MR – BAT6V1SET-A**

\* MR-BAT6V1SET-A manufactured by Mitsubishi Electric Corporation

Battery for replacement

Absolute position data is maintained by installing the battery to the driver.



Weight: 60 g

\* The LEC-MR-BAT6V1SET and LEC-MR-BAT6V1SET-A are assembled batteries that use lithium metal battery 2CR17335A. When transporting lithium metal batteries and devices with built-in lithium metal batteries by a method subject to UN regulations, it is necessary to apply measures according to the regulations stipulated in the United Nations Recommendations on the Transport of Dangerous Goods, the Technical Instructions (ICAO-TI) of the International Civil Aviation Organization (ICAO), and the International Maritime Dangerous Goods Code (IMDG CODE) of the International Maritime Organization (IMO). If a customer is transporting products such as shown above, it is necessary to confirm the latest regulations, or the laws and regulations of the country of transport on your own, in order to apply the proper measures. Please contact SMC sales representative for details.

**Battery Types and Compatible Drivers**

Compatible driver	Battery type		
	LEC-MR-J3BAT	LEC-MR-BAT6V1SET	LEC-MR-BAT6V1SET-A
LECSB□-S□	○	—	—
LECSA□-S□	○	—	—
LECSN□-S□	○	—	—
LECSB□-T□	—	○	—
LECSA□-T□	○	—	—
LECSN□-T□	—	○	—
LECSN□-T□	—	—	○

LECS□/LECS□-T Series

LECY□ Series

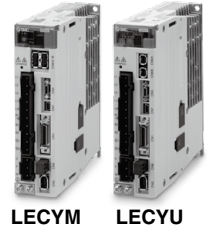
Specific Product Precautions



# AC Servo Motor Driver Absolute Type

## LECYM/LECYU Series

(MECHATROLINK-II Type) (MECHATROLINK-III Type)



### How to Order

Driver

LECY M 2 -

Driver type

M	MECHATROLINK-II type (For absolute encoder)
U	MECHATROLINK-III type (For absolute encoder)

Power supply voltage

2	200 to 230 VAC, 50/60 Hz
---	--------------------------

- \* If an I/O connector (CN1) is required, order the part number "LE-CYNA" separately.
- \* If an I/O cable (CN1) is required, order the part number "LEC-CSNA-1" separately.

Compatible motor type

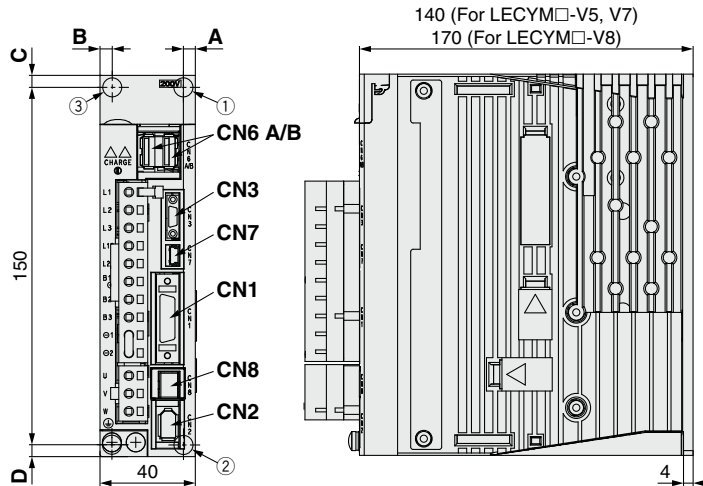
Symbol	Type	Capacity	Encoder
V5	AC servo motor (V6*1)	100 W	Absolute
V7	AC servo motor (V7*1)	200 W	
V8	AC servo motor (V8*1)	400 W	

\*1 The symbol shows the motor type (actuator).

### Dimensions

MECHATROLINK-II type

LECYM2-V



Connector name	Description
CN1	I/O signal connector
CN2	Encoder connector
CN3*1	Digital operator connector
CN6A	MECHATROLINK-II communication connector
CN6B	MECHATROLINK-II communication connector
CN7	PC connector
CN8	Safety connector

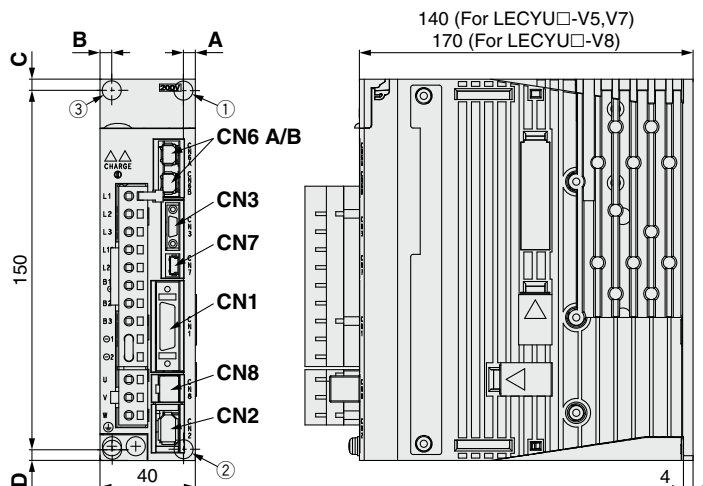
\*1 Digital operator is JUSP-OP05A-1-E manufactured by YASKAWA Electric Corporation. When using the digital operator, it should be provided by the customer.

Motor capacity	Hole position	A	B	C	D	Mounting hole
V5 (100 W)	①②	5	—	5	5	ø5
V7 (200 W)	①②	5	—	5	5	
V8 (400 W)	②③	5	5	5	5	

\* The mounting hole position varies depending on the motor capacity.

MECHATROLINK-III type

LECYU2-V



Connector name	Description
CN1	I/O signal connector
CN2	Encoder connector
CN3*1	Digital operator connector
CN6A	MECHATROLINK-III communication connector
CN6B	MECHATROLINK-III communication connector
CN7	PC connector
CN8	Safety connector

\*1 Digital operator is JUSP-OP05A-1-E manufactured by YASKAWA Electric Corporation. When using the digital operator, it should be provided by the customer.

Motor capacity	Hole position	A	B	C	D	Mounting hole
V5 (100 W)	①②	5	—	5	5	ø5
V7 (200 W)	①②	5	—	5	5	
V8 (400 W)	②③	5	5	5	5	

\* The mounting hole position varies depending on the motor capacity.

## Specifications

### MECHATROLINK-II Type

Model		LECYM2-V5	LECYM2-V7	LECYM2-V8
Compatible motor capacity [W]		100	200	400
Compatible encoder		Absolute 20-bit encoder (Resolution: 1048576 p/rev)		
Main circuit power supply	Power voltage [V]	Three phase 200 to 230 VAC (50/60 Hz)		
	Allowable voltage fluctuation [V]	Three phase 170 to 253 VAC		
Control power supply	Power voltage [V]	Single phase 200 to 230 VAC (50/60 Hz)		
	Allowable voltage fluctuation [V]	Single phase 170 to 253 VAC		
Power supply capacity (at rated output) [A]		0.91	1.6	2.8
Input circuit		NPN (Sink circuit)/PNP (Source circuit)		
Parallel input (7 inputs)	Number of optional allocations	7 inputs	[Initial allocation] · Homing deceleration switch (/DEC) · External latch (/EXT 1 to 3) · Forward run prohibited (P-OT), reverse run prohibited (N-OT) [Can be allocated by setting the parameters] · Forward external torque limit (/P-CL), reverse external torque limit (/N-CL) Signal allocations can be performed, and positive and negative logic can be changed.	
			Number of fixed allocations	1 output
Parallel output (4 outputs)	Number of optional allocations	3 outputs	[Initial allocation] · Lock (/BK) [Can be allocated by setting the parameters] · Positioning completion (/COIN) · Speed limit detection (/VLT) · Speed coincidence detection (/V-CMP) · Rotation detection (/TGON) · Warning (/WARN) · Servo ready (/S-RDY) · Near (/NEAR) · Torque limit detection (/CLT) Signal allocations can be performed, and positive and negative logic can be changed.	
MECHATROLINK communication	Communication protocol	MECHATROLINK-II		
	Station address	41H to 5FH		
	Transmission speed	10 Mbps		
	Transmission cycle	250 μs, 0.5 ms to 4 ms (Multiples of 0.5 ms)		
	Number of transmission bytes	17 bytes, 32 bytes		
	Max. number of stations	30		
	Cable length	Overall cable length: 50 m or less, Cable length between the stations: 0.5 m or more		
Command method	Control method	Position, speed, or torque control with MECHATROLINK-II communication		
	Command input	MECHATROLINK-II command (Motion, data setting, monitoring, or adjustment)		
Function	Gain adjustment	Tuning-less/Advanced auto tuning/One-parameter tuning		
	Communication setting	USB communication, RS-422 communication		
	Torque limit	Internal torque limit, external torque limit, and torque limit by analog command		
	Encoder output	Phase A, B, Z: Line driver output		
	Emergency stop	CN8 Safety function		
	Overtravel	Dynamic brake stop, deceleration to a stop, or free run to a stop at P-OT or N-OT		
Alarm	Alarm signal, MECHATROLINK-II command			
Operating temperature range [°C]		0 to 55 (No freezing)		
Operating humidity range [%RH]		90 or less (No condensation)		
Storage temperature range [°C]		-20 to 85 (No freezing)		
Storage humidity range [%RH]		90 or less (No condensation)		
Insulation resistance [MΩ]		10 MΩ (500 VDC)		
Safety function		STO (IEC 61800-5-2)		
Safety standards*1		EN ISO 13849-1 Category 3 PL d, IEC 61508 SIL2, IEC 62061 SIL CL2, IEC 61800-5-2		
Weight [g]		900		1000

\*1 Refer to the LECYM operation manual for details.

## Specifications

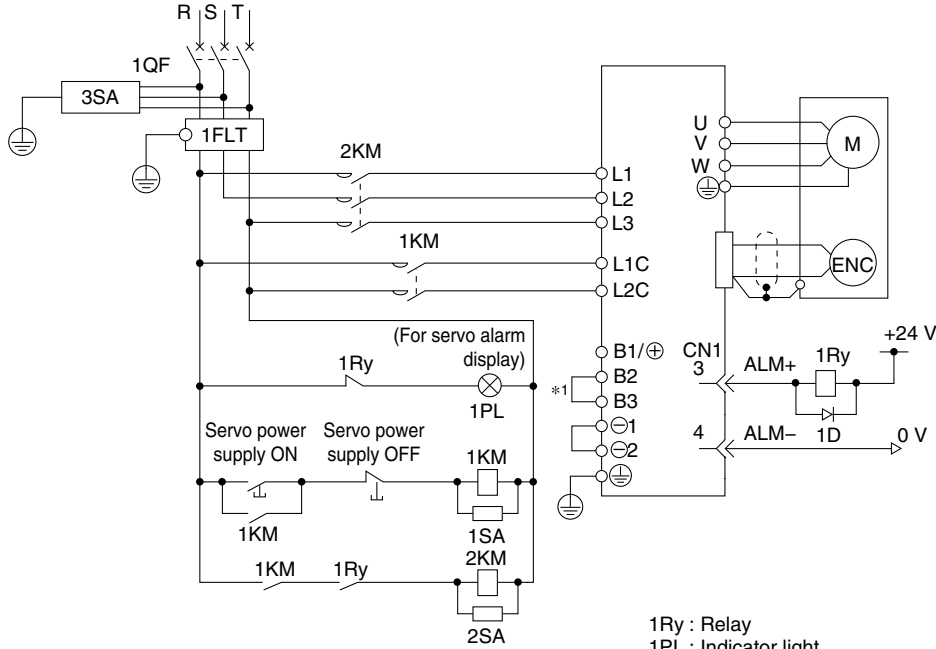
### MECHATROLINK-III Type

Model			LECYU2-V5	LECYU2-V7	LECYU2-V8
Compatible motor capacity [W]			100	200	400
Compatible encoder			Absolute 20-bit encoder (Resolution: 1048576 p/rev)		
Main circuit power supply	Power voltage [V]		Three phase 200 to 230 VAC (50/60 Hz)		
	Allowable voltage fluctuation [V]		Three phase 170 to 253 VAC		
Control power supply	Power voltage [V]		Single phase 200 to 230 VAC (50/60 Hz)		
	Allowable voltage fluctuation [V]		Single phase 170 to 253 VAC		
Power supply capacity (at rated output) [A]			0.91	1.6	2.8
Input circuit			NPN (Sink circuit)/PNP (Source circuit)		
Parallel input (7 inputs)	Number of optional allocations	7 inputs	[Initial allocation] · Homing deceleration switch (/DEC) · External latch (/EXT 1 to 3) · Forward run prohibited (P-OT), reverse run prohibited (N-OT) [Can be allocated by setting the parameters] · Forward external torque limit (/P-CL), reverse external torque limit (/N-CL) Signal allocations can be performed, and positive and negative logic can be changed.		
			Number of fixed allocations	1 output	· Servo alarm (ALM)
Parallel output (4 outputs)	Number of optional allocations	3 outputs	[Initial allocation] · Lock (/BK) [Can be allocated by setting the parameters] · Positioning completion (/COIN) · Speed limit detection (/VLT) · Speed coincidence detection (/V-CMP) · Rotation detection (/TGON) · Warning (/WARN) · Servo ready (/S-RDY) · Near (/NEAR) · Torque limit detection (/CLT) Signal allocations can be performed, and positive and negative logic can be changed.		
MECHATROLINK communication	Communication protocol		MECHATROLINK-III		
	Station address		03H to EFH		
	Transmission speed		100 Mbps		
	Transmission cycle		125 μs, 250 μs, 500 μs, 750 μs, 1 ms to 4 ms (Multiples of 0.5 ms)		
	Number of transmission bytes		16 bytes, 32 bytes, 48 bytes		
	Max. number of stations		62		
	Cable length		Cable length between the stations: 0.5 m or more, 75 m or less		
Command method	Control method		Position, speed, or torque control with MECHATROLINK-III communication		
	Command input		MECHATROLINK-III command (Motion, data setting, monitoring, or adjustment)		
Function	Gain adjustment		Tuning-less/Advanced auto tuning/One-parameter tuning		
	Communication setting		USB communication, RS-422 communication		
	Torque limit		Internal torque limit, external torque limit, and torque limit by analog command		
	Encoder output		Phase A, B, Z: Line driver output		
	Emergency stop		CN8 Safety function		
	Overtravel		Dynamic brake stop, deceleration to a stop, or free run to a stop at P-OT or N-OT		
Alarm		Alarm signal, MECHATROLINK-III command			
Operating temperature range [°C]			0 to 55 (No freezing)		
Operating humidity range [%RH]			90 or less (No condensation)		
Storage temperature range [°C]			-20 to 85 (No freezing)		
Storage humidity range [%RH]			90 or less (No condensation)		
Insulation resistance [MΩ]			10 MΩ (500 VDC)		
Safety function			STO (IEC 61800-5-2)		
Safety standards*1			EN ISO 13849-1 Category 3 PL d, IEC 61508 SIL2, IEC 62061 SIL CL2, IEC 61800-5-2		
Weight [g]			900		1000

\*1 Refer to the LECYU operation manual for details.

## Power Supply Wiring Example: LECY□

■ Three phase 200 V    **LECYM2-□**  
**LECYU2-□**



1QF : Molded-case circuit breaker  
 1FLT: Noise filter  
 1KM : Magnetic contactor (for control power supply)  
 2KM : Magnetic contactor (for main circuit power supply)

1Ry : Relay  
 1PL : Indicator light  
 1SA : Surge absorber  
 2SA : Surge absorber  
 3SA : Surge absorber  
 1D : Flywheel diode

\*1 For the LECY□2-V5, LECY□2-V7, and LECY□2-V8, terminals B2 and B3 are not short-circuited.  
 Do not short-circuit these terminals.

### Main Circuit Power Supply Connector \* Accessory

Terminal name	Function	Details
L1	Main circuit power supply	Connect the main circuit power supply. Single phase 200 to 230 VAC, 50/60 Hz Connection terminal: L1, L2 Three phase 200 to 230 VAC, 50/60 Hz Connection terminal: L1, L2, L3
L2		
L3		
L1C	Control power supply	Connect the control power supply. Single phase 200 to 230 VAC, 50/60 Hz Connection terminal: L1C, L2C
L2C		
B1(⊕)	External regenerative resistor connection terminal	When the regenerative resistor is required, connect it between terminals B1(⊕) and B2.
B2		
B3		
⊖1	Main circuit negative terminal	⊖1 and ⊖2 are connected at shipment.
⊖2		

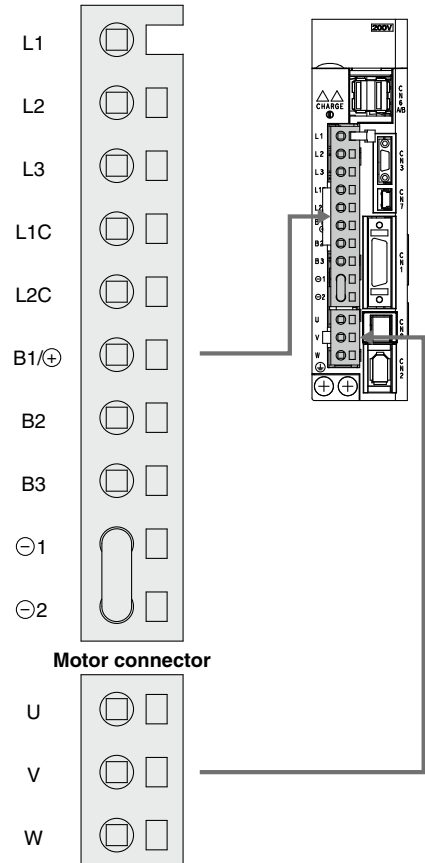
### Motor Connector \* Accessory

Terminal name	Function	Details
U	Servo motor power (U)	Connect to motor cable (U, V, W).
V	Servo motor power (V)	
W	Servo motor power (W)	

### Power Supply Wire Specifications

Item	Specifications
Applicable wire size	L1, L2, L3, L1C, L2C Single wire, Twisted wire, AWG14 (2.0 mm <sup>2</sup> )
Stripped wire length	8 to 9 mm

### Main circuit power supply connector

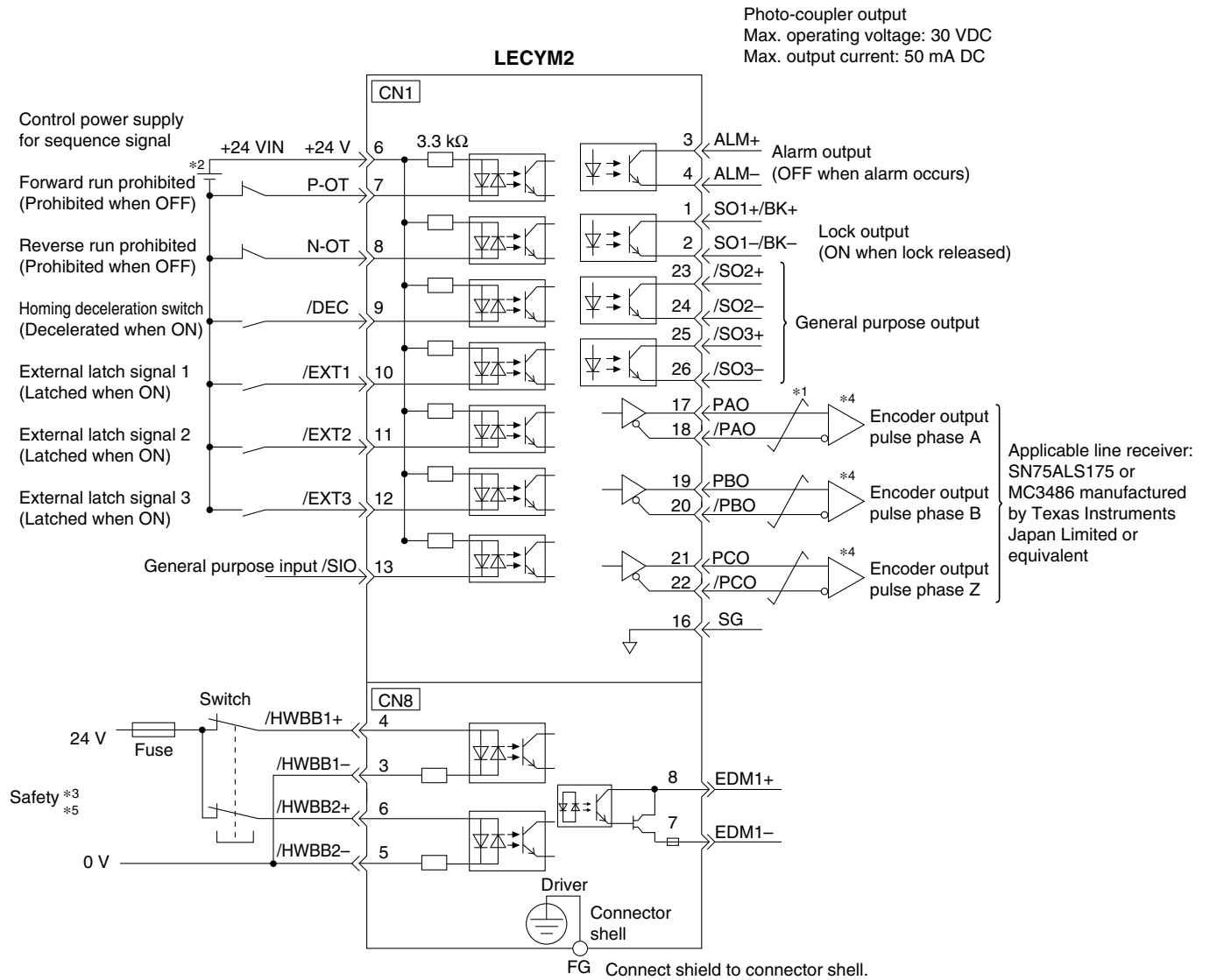


LECS□/LECS□-T Series

LECY□ Series

Specific Product Precautions

## Control Signal Wiring Example: LECYM



\*1  $\overline{\text{---}}$  shows twisted-pair wires.

\*2 The 24 VDC power supply is not included. Use a 24 VDC power supply with double insulation or reinforced insulation.

\*3 When using the safety function, a safety function device must be connected to the wiring that is necessary to activate the safety function. Otherwise, the servo motor is not turned ON. When not using the safety function, use the driver with the Safety Jumper Connector (provided as an accessory) inserted into the CN8.

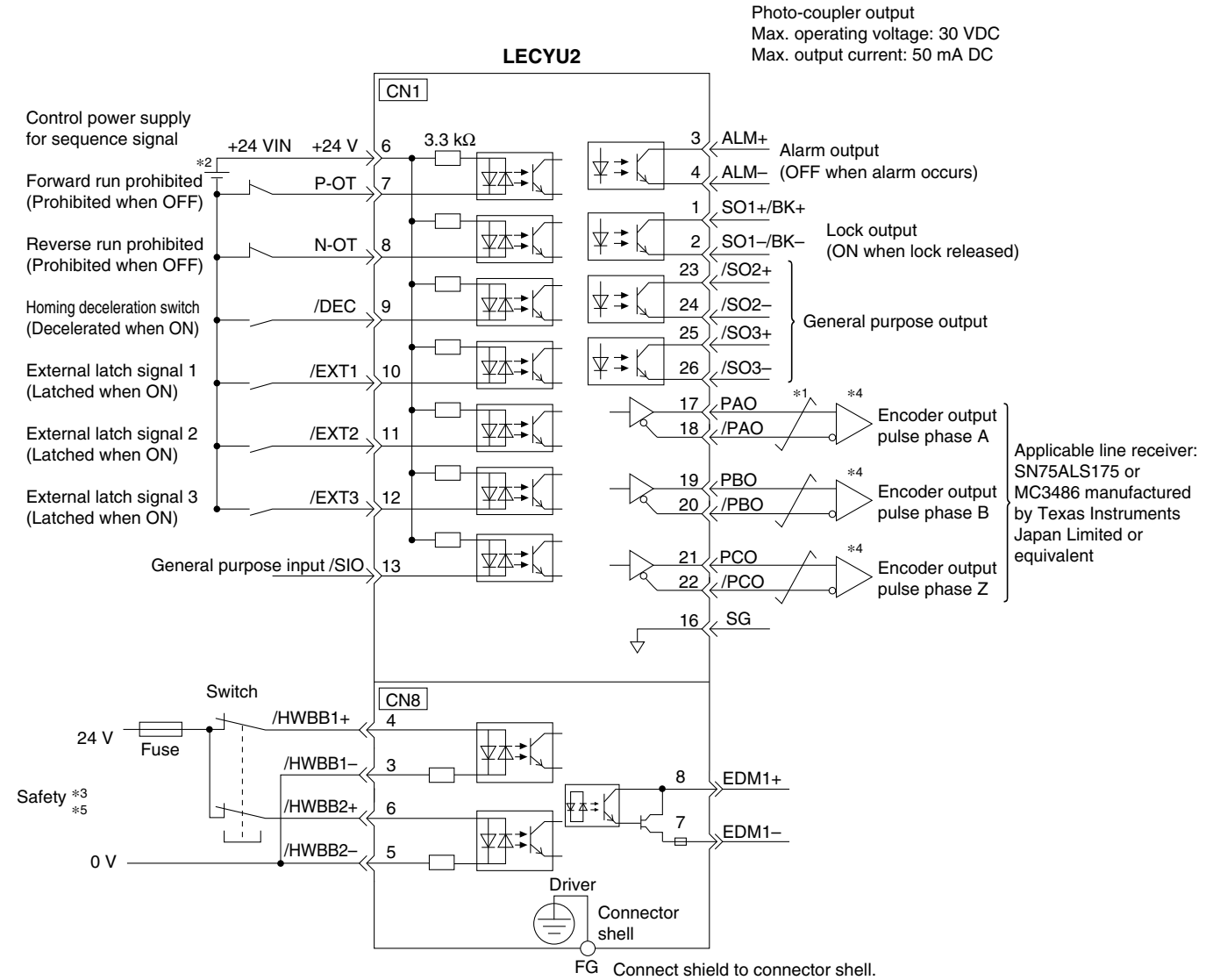
\*4 Always use line receivers to receive the output signals.

\*\* The functions allocated to the input signals /DEC, P-OT, N-OT, /EXT1, /EXT2, and /EXT3, and the output signals /SO1, /SO2, and /SO3 can be changed by setting the parameters.

\*5 It is a safety function equivalent to the STO function (IEC 61800-5-2) using the hard wire base block function (HWBB).



**Control Signal Wiring Example: LECYU**



- \*1 shows twisted-pair wires.
- \*2 The 24 VDC power supply is not included. Use a 24 VDC power supply with double insulation or reinforced insulation.
- \*3 When using the safety function, a safety function device must be connected to the wiring that is necessary to activate the safety function. Otherwise, the servo motor is not turned ON. When not using the safety function, use the driver with the Safety Jumper Connector (provided as an accessory) inserted into the CN8.
- \*4 Always use line receivers to receive the output signals.  
\*\* The functions allocated to the input signals /DEC, P-OT, N-OT, /EXT1, /EXT2, and /EXT3, and the output signals /SO1, /SO2, and /SO3 can be changed by setting the parameters.
- \*5 It is a safety function equivalent to the STO function (IEC 61800-5-2) using the hard wire base block function (HWBB).

LECS□/LECS□-T Series

LECY□ Series

Specific Product Precautions

## Options

### Motor cable, Motor cable for lock option, Encoder cable (LECYM/LECYU common)

LE-CY **M** - **S** **5** **A** - **5**

#### Motor type

Y	AC servo motor
---	----------------

#### Cable description

M	Motor cable
B	Motor cable for lock option
E	Encoder cable (With battery case)

#### Cable type

S	Standard cable
R	Robotic cable

#### Cable length (L) [m]

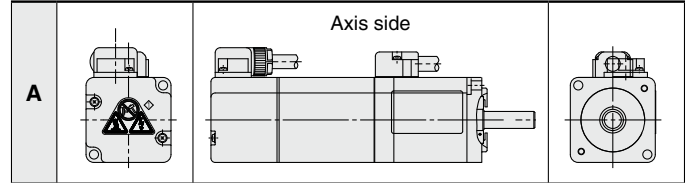
3	3
5	5
A	10
C	20

#### Motor capacity

5	100 W
7	200/400 W

\* For encoder cable, the suffix “-□” (Motor capacity) is not necessary.

#### Direction of connector

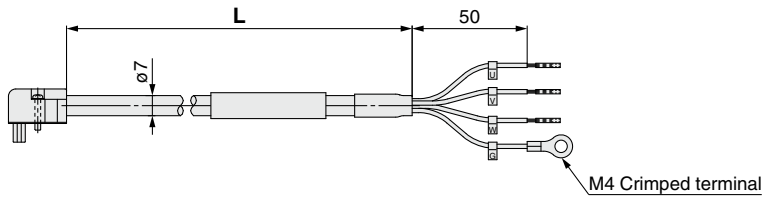


\* The cable entry direction is axis side only.

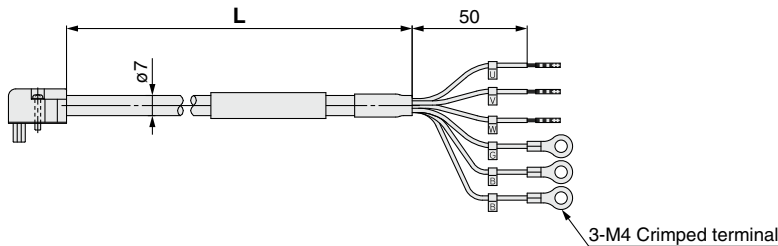
#### Weight

Product no.	Length [m]	Weight [g]	Note
LE-CYM-S3A-5	3	250	100 W
LE-CYM-S5A-5	5	390	
LE-CYM-SAA-5	10	750	
LE-CYM-SCA-5	20	1500	200/ 400 W
LE-CYM-S3A-7	3	250	
LE-CYM-S5A-7	5	390	
LE-CYM-SAA-7	10	750	100 W
LE-CYM-SCA-7	20	1500	
LE-CYM-R3A-5	3	220	
LE-CYM-R5A-5	5	350	200/ 400 W
LE-CYM-RAA-5	10	670	
LE-CYM-RCA-5	20	1300	
LE-CYM-R3A-7	3	220	100 W
LE-CYM-R5A-7	5	350	
LE-CYM-RAA-7	10	670	
LE-CYM-RCA-7	20	1300	200/ 400 W

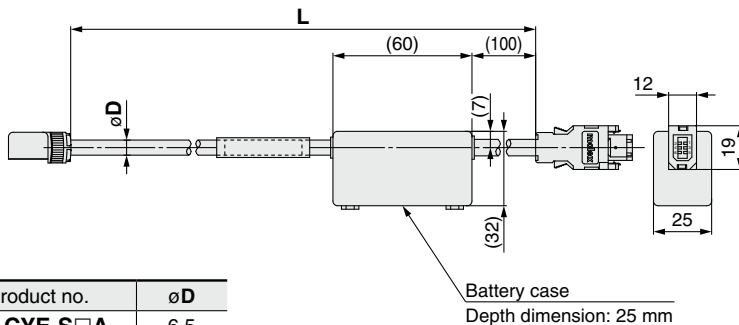
#### LE-CYM-□□A-□: Motor cable



#### LE-CYB-□□A-□: Motor cable for lock option



#### LE-CYE-□□A: Encoder cable



Product no.	øD
LE-CYE-S□A	6.5
LE-CYE-R□A	6.8

#### Weight

Product no.	Length [m]	Weight [g]	Note
LE-CYB-S3A-5	3	240	100 W
LE-CYB-S5A-5	5	390	
LE-CYB-SAA-5	10	750	
LE-CYB-SCA-5	20	1490	200/ 400 W
LE-CYB-S3A-7	3	240	
LE-CYB-S5A-7	5	390	
LE-CYB-SAA-7	10	750	100 W
LE-CYB-SCA-7	20	1490	
LE-CYB-R3A-5	3	220	
LE-CYB-R5A-5	5	350	200/ 400 W
LE-CYB-RAA-5	10	670	
LE-CYB-RCA-5	20	1300	
LE-CYB-R3A-7	3	220	100 W
LE-CYB-R5A-7	5	350	
LE-CYB-RAA-7	10	670	
LE-CYB-RCA-7	20	1300	200/ 400 W

#### Weight

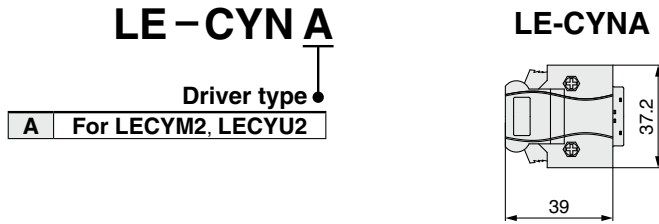
Product no.	Length [m]	Weight [g]
LE-CYE-S3A	3	230
LE-CYE-S5A	5	360
LE-CYE-SAA	10	680
LE-CYE-SCA	20	1250
LE-CYE-R3A	3	220
LE-CYE-R5A	5	330
LE-CYE-RAA	10	660
LE-CYE-RCA	20	1240

\* LE-CYM-S□A-□ is JZSP-CSM0□-□□-□E manufactured by YASKAWA CONTROLS CO., LTD.  
 LE-CYB-S□A-□ is JZSP-CSM1□-□□-□E manufactured by YASKAWA CONTROLS CO., LTD.  
 LE-CYE-S□A is JZSP-CSP05-□□-□E manufactured by YASKAWA CONTROLS CO., LTD.

LE-CYM-R□A-□ is JZSP-CSM2□-□□-□E manufactured by YASKAWA CONTROLS CO., LTD.  
 LE-CYB-R□A-□ is JZSP-CSM3□-□□-□E manufactured by YASKAWA CONTROLS CO., LTD.  
 LE-CYE-R□A is JZSP-CSP25-□□-□E manufactured by YASKAWA CONTROLS CO., LTD.

**Options**

**I/O connector (Without cable, Connector only)**

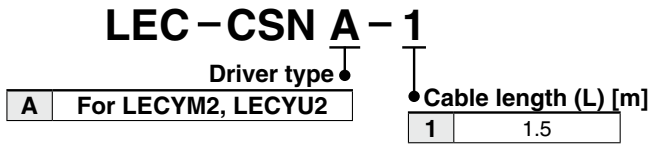


**Weight**

Product no.	Weight [g]
<b>LE-CYNA</b>	25

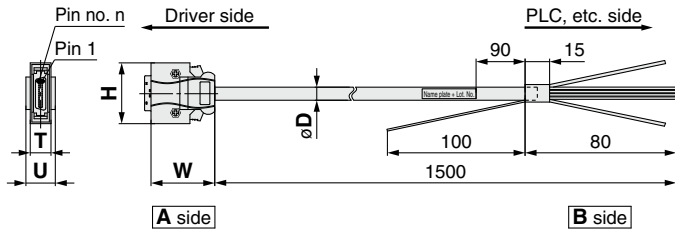
\* LE-CYNA: 10126-3000PE (connector)/10326-52F0-008 (shell kit) manufactured by 3M Japan Limited or equivalent  
 \* Conductor size: AWG24 to 30

**I/O cable**



**Weight**

Product no.	Weight [g]
<b>LEC-CSNA-1</b>	303



\* LEC-CSNA-1: 10126-3000PE (connector)/10326-52F0-008 (shell kit) manufactured by 3M Japan Limited or equivalent  
 \* Conductor size: AWG24

**Wiring**

LEC-CSNA-1: Pin nos. 1 to 26

Connector pin no.	Pair no. of wire	Insulation color	Dot mark	Dot color	Connector pin no.	Pair no. of wire	Insulation color	Dot mark	Dot color	Connector pin no.	Pair no. of wire	Insulation color	Dot mark	Dot color			
<b>A side</b>	1	Orange	■	Red	<b>A side</b>	11	Orange	■ ■	Red	<b>A side</b>	21	Orange	■ ■ ■ ■	Red			
	2		■	Black		12		■ ■	Black		22		■ ■ ■ ■	Black			
	3	Light gray	■	Red		13	Light gray	■ ■	Red		23	Light gray	■ ■ ■ ■	■ ■ ■ ■	Red		
	4		■	Black		14		■ ■	Black		24			■ ■ ■ ■	Black		
	5	White	■	Red		15	White	■ ■	Red		25	White	■ ■ ■ ■	■ ■ ■ ■	Red		
	6		■	Black		16		■ ■	Black		26			■ ■ ■ ■	Black		
	7	Yellow	■	Red		17	Yellow	■ ■	Red		<b>A side</b>	<b>A side</b>	<b>A side</b>	<b>A side</b>	<b>A side</b>	<b>A side</b>	<b>A side</b>
	8		■	Black		18		■ ■	Black								
	9	Pink	■	Red		19	Pink	■ ■	Red								
	10		■	Black		20		■ ■	Black								

**Cable O.D.**

Product no.	øD
<b>LEC-CSNA-1</b>	11.1

**Dimensions/Pin No.**

Product no.	W	H	T	U	Pin no. n
<b>LEC-CSNA-1</b>	39	37.2	12.7	14	14

LECS□/LECS□-T Series

LECY□ Series

Specific Product Precautions

# LECY<sup>M</sup><sub>U</sub> Series

## Options

### MECHATROLINK cable type

LEC-CY[M]-[1]

#### Motor type

Y AC servo motor

#### Cable description

M	MECHATROLINK-II cable
U	MECHATROLINK-III cable

#### Cable length (L)

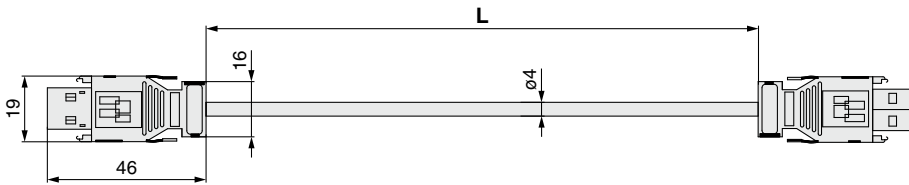
L*1	0.2 m
J	0.5 m
1	1 m
3	3 m

\*1 Not available for the MECHATROLINK-II cable

\* LEC-CYM-□ is JEPMC-W6002-□□-E manufactured by YASKAWA CONTROLS CO., LTD.

\* LEC-CYU-□ is JEPMC-W6012-□□-E manufactured by YASKAWA CONTROLS CO., LTD.

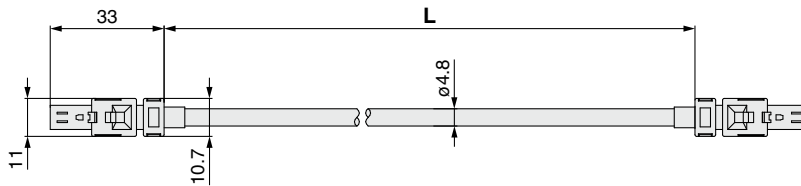
### MECHATROLINK-II cable



#### Weight

Product no.	Length [m]	Weight [g]
LEC-CYM-J	0.5	50
LEC-CYM-1	1	80
LEC-CYM-3	3	200

### MECHATROLINK-III cable



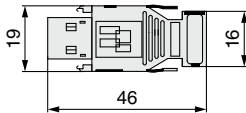
#### Weight

Product no.	Length [m]	Weight [g]
LEC-CYU-L	0.2	21
LEC-CYU-J	0.5	41
LEC-CYU-1	1	75
LEC-CYU-3	3	205

### Terminating connector for MECHATROLINK-II

## LEC-CYRM

\* LEC-CYRM is JEPMC-W6022-E manufactured by YASKAWA CONTROLS CO., LTD.



Weight: 10 g

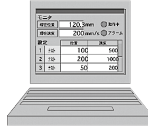
## Options



**LECYM2 LECYU2**  
Drivers



USB cable



PC

### Setup software (SigmaWin+™) (LECYM/LECYU common)

- \* Please download the SigmaWin+™ via our website.
- SigmaWin+™ is a registered trademark or trademark of YASKAWA Electric Corporation.

**Adjustment, waveform display, parameter read/write, and test operation can be performed upon a PC.**

### Compatible PC

When using setup software (SigmaWin+™), use an IBM PC/AT compatible PC that meets the following operating conditions.

### Hardware Requirements

Equipment		Setup software (SigmaWin+™)
PC *1, 2, 3, 4	OS	Windows® XP*5, Windows Vista®, Windows® 7 (32-bit/64-bit)
	Available HD space	350 MB or more (When the software is installed, 400 MB or more is recommended.)
	Communication interface	Use USB port.
Display		XVGA monitor (1024 x 768 or more, "The small font is used.") 256 color or more (65536 color or more is recommended.) Connectable with the PC above
Keyboard		Connectable with the PC above
Mouse		Connectable with the PC above
Printer		Connectable with the PC above
USB cable		LEC-JZ-CVUSB*6
Other		Adobe Reader Ver. 5.0 or higher (* Except Ver. 6.0)

- \*1 Windows, Windows Vista®, Windows® 7 are registered trademarks of Microsoft Corporation in the United States and/or other countries.
- \*2 On some PCs, this software may not run properly.
- \*3 Not compatible with 64-bit Windows® XP and 64-bit Windows Vista®
- \*4 For Windows® XP, please use it by the administrator authority (When installing and using it.)
- \*5 In PC that uses the program to correct the problem of HotfixQ328310, it is likely to fail in the installation. In that case, please use the program to correct the problem of HotfixQ329623.
- \*6 Order USB cable separately.

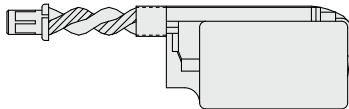
### Battery (LECYM/LECYU common)

## LEC-JZ-CVBAT

- \* JZSP-BA01 manufactured by YASKAWA CONTROLS CO., LTD.

Battery for replacement

Absolute position data is maintained by installing the battery to the battery case of the encoder cable.



Weight: 10 g

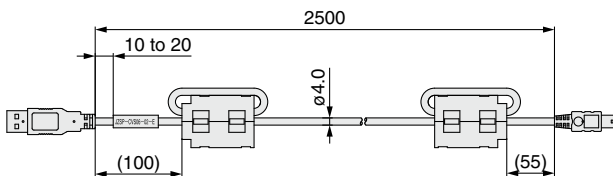
### USB cable (2.5 m)

## LEC-JZ-CVUSB

- \* JZSP-CVS06-02-E manufactured by YASKAWA CONTROLS CO., LTD.

Cable for connecting PC and driver when using the setup software (SigmaWin+™)

Do not use any cable other than this cable.



Weight: 150 g

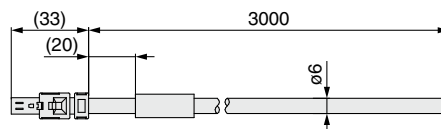
### Cable for safety function device (3 m)

## LEC-JZ-CVSAF

- \* JZSP-CVH03-03-E manufactured by YASKAWA CONTROLS CO., LTD.

Cable for connecting the driver and device when using the safety function

Do not use any cable other than this cable.



Weight: 160 g



# LECS□/LECS□-T/LECY□ Series Specific Product Precautions 1

Be sure to read this before handling the products. For safety instructions and electric actuator precautions, refer to the “Handling Precautions for SMC Products” and the “Operation Manual” on the SMC website: <https://www.smcworld.com>

## Design / Selection

### Warning

- 1. Be sure to apply the specified voltage.**  
Otherwise, malfunction or breakage may occur. If the applied voltage is lower than the specified voltage, it is possible that the load will not be able to be moved due to an internal voltage drop of the driver. Please check the operating voltage before use.
- 2. Do not operate the product beyond the specifications.**  
Otherwise, a fire, malfunction, or actuator damage may result. Please check the specifications before use.
- 3. Install an emergency stop circuit.**  
Please install an emergency stop outside of the enclosure so that the system operation can be stopped immediately and the power supply can be intercepted.
- 4. In order to prevent any damage caused by the breakdown or malfunction of the driver and its peripheral devices, a backup system should be established in advance by giving a multiple-layered structure or a fail-safe design to the equipment, etc.**
- 5. If the danger of human injury is expected due to abnormal heat generation, smoking, ignition, etc., of the driver and its peripheral devices, cut off the power supply of the product and the system immediately.**
- 6. The parameters of the driver are set to initial values. Please change the parameters according to the specifications of the customer's equipment before use. Refer to the operation manual for parameter details.**

## Handling

### Warning

- 1. Do not touch the inside of the driver and its peripheral devices.**  
Doing so may cause an electric shock or damage to the driver.
- 2. Do not perform the operation or setting of the product with wet hands.**  
Doing so may cause an electric shock.
- 3. Products with damage or those missing any components should not be used.**  
An electric shock, fire, or injury may result.
- 4. Use only the specified combination between the electric actuator and the driver.**  
Failure to do so may cause damage to the actuator or the driver.
- 5. Be careful not to be hit by workpieces while the actuator is moving.**  
It may cause an injury.
- 6. Do not connect the power supply or power on the product before confirming the area to which the workpiece moves is safe.**  
The movement of the workpiece may cause an accident.
- 7. Do not touch the product when it is energized and for some time after the power has been disconnected, as it is very hot.**  
Doing so may lead to a burn due to the high temperature.
- 8. Before installation, wiring, and maintenance, the voltage should be checked with a tester 5 minutes after the power supply has been turned off.**  
Otherwise, an electric shock, fire, or injury may result.

## Handling

### Warning

- 9. Static electricity may cause a malfunction or break the driver. Do not touch the driver while power is supplied.**  
When touching the driver for maintenance, take sufficient measures to eliminate static electricity.
- 10. Do not use the product in an area where dust, powder dust, water, chemicals, or oil is in the air.**  
It will cause failure or malfunction.
- 11. Do not use the product in an area where a magnetic field is generated.**  
It will cause failure or malfunction.
- 12. Do not install the product in an environment containing flammable gas, explosive gas, or corrosive gas.**  
It could lead to fire, explosion, or corrosion.
- 13. Radiant heat from strong heat sources, such as a furnace, direct sunlight, etc., should not be applied to the product.**  
It will cause failure of the driver or its peripheral devices.
- 14. Do not use the product in an environment subject to a temperature cycle.**  
It will cause failure of the driver or its peripheral devices.
- 15. Do not use the product in a place where surges are generated.**  
When there are units that generate a large amount of surge around the product (e.g. solenoid type lifters, high-frequency induction furnaces, motors, etc.), this may cause deterioration or damage to the product's internal circuit. Avoid sources of surge generation and crossed lines.
- 16. Do not install the product in an environment under the effect of vibrations and impacts.**  
It will cause failure or malfunction.
- 17. When a surge-generating load, such as a relay or solenoid valve, is driven directly, use a product that incorporates a surge absorption element.**

## Installation

### Warning

- 1. Install the driver and its peripheral devices on a fire-proof material.**  
Direct installation on or near a flammable material may cause a fire.
- 2. Do not install the product in a place subject to vibrations and impacts.**  
It will cause failure or malfunction.
- 3. The driver should be mounted on a vertical wall in a vertical direction. Also, be sure not to cover the driver's suction/exhaust ports.**
- 4. Install the driver and its peripheral devices on a flat surface.**  
If the mounting surface is distorted or uneven, an unacceptable force may be added to the housing, etc., causing problems.





# LECS□/LECS□-T/LECY□ Series Specific Product Precautions 2

Be sure to read this before handling the products. For safety instructions and electric actuator precautions, refer to the “Handling Precautions for SMC Products” and the “Operation Manual” on the SMC website: <https://www.smcworld.com>

## Power Supply

### ⚠ Caution

1. Use a power supply that has low noise between lines and between the power and ground.  
In cases where noise is high, an isolation transformer should be used.
2. To prevent lightning surges, appropriate measures should be taken. Ground the surge absorber for lightning separately from the grounding of the driver and its peripheral devices.

## Wiring

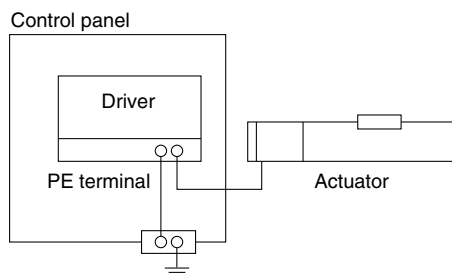
### ⚠ Warning

1. The driver will be damaged if a commercial power supply (100/200 V) is added to the driver's servo motor power (U, V, and W). Be sure to check wiring for mistakes when the power supply is turned on.
2. Connect the ends of the U, V, and W wires of the motor cable correctly to the phases (U, V, and W) of the servo motor power. If these wires do not match up, the servo motor cannot be controlled.

## Grounding

### ⚠ Warning

1. For grounding the actuator, connect the copper wire of the actuator to the driver's protective earth (PE) terminal and connect the copper wire of the driver to the earth via the control panel's protective earth (PE) terminal. Do not connect them directly to the control panel's protective earth (PE) terminal.




2. In the unlikely event that a malfunction is caused by the ground, please disconnect it.

## Maintenance

### ⚠ Warning

1. Perform a maintenance and inspection periodically.  
Confirm wiring and screws are not loose.  
Loose screws or wires may cause unintentional malfunction.
2. Conduct an appropriate functional inspection after completing the maintenance and inspection.  
At times where the equipment or machinery does not operate properly, conduct an emergency stop of the system. Otherwise, an unexpected malfunction may occur and it will become impossible to ensure safety. Conduct a test of the emergency stop in order to confirm the safety of the equipment.
3. Do not disassemble, modify, or repair the driver and its peripheral devices.
4. Do not put anything conductive or flammable inside the driver.  
It may cause a fire.
5. Do not conduct an insulation resistance test or withstand voltage test on this product.
6. Ensure sufficient space for maintenance activities.  
Design the system allowing the required space for maintenance and inspection.

 **Safety Instructions** Be sure to read the "Handling Precautions for SMC Products" (M-E03-3) and "Operation Manual" before use.