

Bernoulli Gripper

ø20, ø30, ø40, ø60, ø80

RoHS

New Body size ø20 has been added.



For the adsorption transfer of thin cloths, films, printed circuit boards, etc.

Energy saving

Max. 79% improvement*1

*1 Comparison of air consumption to lifting force

High lifting force

65 N

10.3 times that of the existing model

(Existing model: 6.3 N → ZNC80: 65 N)



ZNC40
Body material: Resin
30 g



Scan here for applications.

3 types of body materials



With stoppers

Prevents workpiece slippage



With vibration suppression cover

Vibration noise:
Max. 17 dB[A] reduction

Suppresses the vibration noise of thin workpieces



ZNC Series

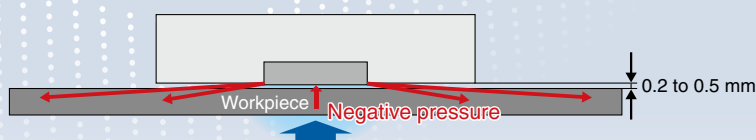


CAT.ES100-145B

Basic type (Without vibration suppression cover/stoppers)

When a flat, hard, non-breathable workpiece such as glass is adsorbed, it will be gripped without direct contact.

As the gripper approaches the workpiece, the flow speed of the air flowing between the gripper and the workpiece increases, creating a vacuum and adsorbing the workpiece. In the case of a flat, hard, non-breathable workpiece such as glass, it will be in a non-contact state. The lifting force of the gripper and the weight of the workpiece is balanced around 0.2 to 0.5 mm.

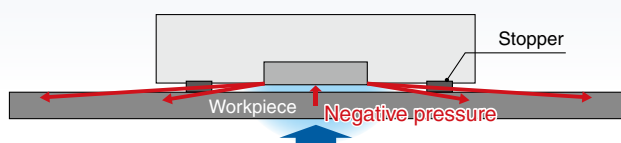


With stoppers

The rubber stoppers prevent the workpiece from slipping.

By attaching stoppers, the gripping state changes from non-contact to contact. For flat and hard workpieces such as glass, stoppers are recommended to prevent slipping. When using a soft workpiece such as cloth or paper, it may come into contact with the gripper and generate a vibration noise. In this case, a vibration suppression cover is recommended.

- * Only the rubber parts of the stoppers can be replaced.
- * The stoppers reduce the lifting force.

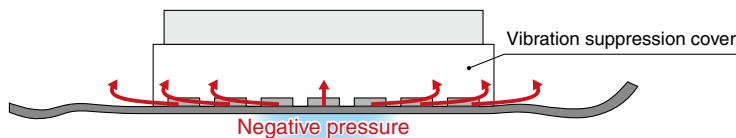


With vibration suppression cover

Suppresses the vibration that occurs when a soft workpiece such as cloth or paper is adsorbed

The vibration suppression cover suppresses the vibration generated when a soft workpiece, such as cloth or paper, comes into contact with the gripper, and it reduces the generation of sound. Air flows at high speed in the gap between the vibration suppression cover and the workpiece, enabling stable suction transfer.

- * With the vibration suppression cover, the gripping state changes from non-contact to contact.
- * The vibration suppression cover reduces the lifting force.



Application Examples

For the adsorption of printed circuit boards



For the adsorption of bubble wrap



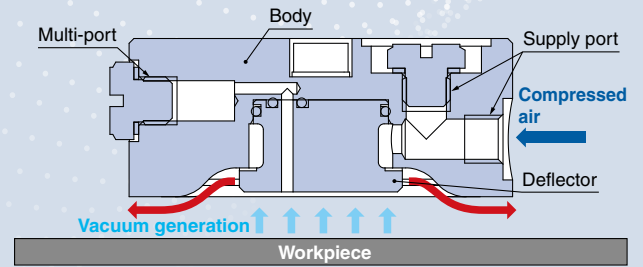
For the adsorption of paper



Construction and working principle

By supplying clean air, the clogging of foreign matter can be prevented.

Bernoulli gripper construction



Piping port

Multiple ports

Can be used as a sensor port or release port

Release port

Workpieces can be removed easily.

Release air OUT



Release air IN



Body material: **Aluminum**

A pressure sensor option can be selected.

Detects the presence of a workpiece
* Connects to the multi-port



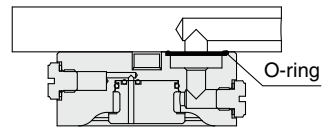
Air supply port

Piping from 2 directions (top and side) is possible.

Requires no piping

Direct porting is possible.

* The O-ring can be ordered separately or prepared by the customer. (For details, refer to page 16.)



O-ring



Body material: **Stainless steel**

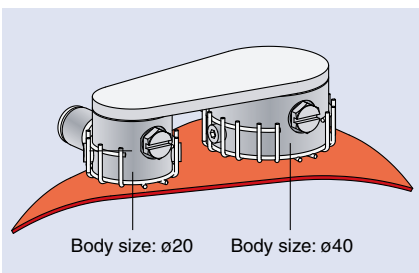
Anti-corrosive type



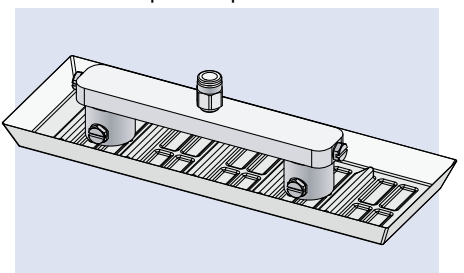
Body material: **Resin**

Lightweight type

For the adsorption of thin cloths



For the adsorption of plastic cases



* The body mounting adapter should be provided by the customer.

Series Variations

Material	Size	Weight [g]	Attachment		Pressure sensor	
			With stoppers	With vibration suppression cover		
				Resin		Stainless steel
 Aluminum	New 20	12	With stoppers NBR (Improved abrasion resistance) Silicone rubber (Heat/ozone resistant)	—	●	With or without
	30	27		—	●	
	40	48		●	●	
	60	110		—	●	
	80	193		—	●	
 Resin	New 20	7		—	●	
	30	17		—	●	
	40	30		●	—	
	60	67		—	●	
	80	119		—	●	
 Stainless steel	New 20	34	—	●		
	30	77	—	●		
	40	139	—	●		
	60	323	—	●		
	80	568	—	●		

CONTENTS



Model Selection	p. 4
How to Order	p. 5
Specifications	p. 6
Lifting Force	p. 7
Air Consumption.....	p. 7
Lifting Force–Distance from the Workpiece	p. 8
Construction	p. 9
Dimensions: $\phi 20$	p. 11
Dimensions: $\phi 30, \phi 40, \phi 60$	p. 13
Dimensions: $\phi 80$	p. 14
Specific Product Precautions	p. 15

ZNC Series Model Selection

Selection Procedure

[Basic type]

Step 1 Calculate the lifting force.

$$W = M \times g \times t \times \frac{1}{n}$$

W: Required lifting force [N]

M: Workpiece mass [kg]

g: Gravitational acceleration [= 9.8 m/s²]

t: Safety factor (Recommended value: 2 or more)

n: Number of Bernoulli grippers [pcs.]

Selection example

Workpiece mass: **M** = 0.7 kg

Safety factor: **t** = 2

Number of Bernoulli grippers: **n** = 2 pcs.

Required lifting force: **W** = $0.7 \times 9.8 \times 2 \times \frac{1}{2} = 6.9 \text{ N}$

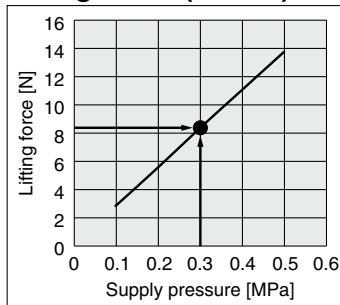
Basic type

Workpiece: Smooth and non-permeable

Operating pressure: 0.3 MPa

Step 2 Model selection

Lifting Force (ZNC40)



The lifting force in relation to the supply pressure for each size can be confirmed using the graph.

For the ZNC40, as the lifting force is 8.4 N when the supply pressure is 0.3 MPa, the lifting force is greater than the required lifting force. Therefore, the product can be used. If the lifting force is less than the required lifting force, considering rethinking the size, number of grippers to be used, or operating pressure.

The lifting force changes depending on the shape, size, surface unevenness, breathability, flexibility, etc., of the workpiece. Use the selection result as a reference value and perform verification and confirmation on the actual machine.

[With stoppers/vibration suppression cover]

Step 1 Calculate the lifting force.

$$W = M \times g \times t \times \frac{1}{n}$$

W: Required lifting force [N]

M: Workpiece mass [kg]

g: Gravitational acceleration [= 9.8 m/s²]

t: Safety factor (Recommended value: 2 or more)

n: Number of Bernoulli grippers [pcs.]

Selection example

Workpiece mass: **M** = 0.25 kg

Safety factor: **t** = 2

Number of Bernoulli grippers: **n** = 1 pc.

Required lifting force: **W** = $0.25 \times 9.8 \times 2 \times \frac{1}{1} = 4.9 \text{ N}$

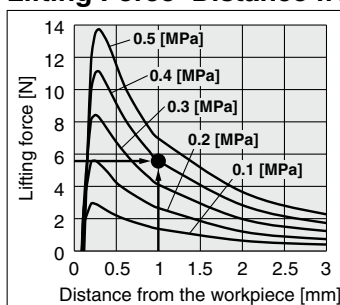
With stoppers

Workpiece: Smooth and non-permeable

Operating pressure: 0.4 MPa

Step 2 Model selection

Lifting Force–Distance from the Workpiece (ZNC40)



The lifting force in relation to the distance from the workpiece for each size can be confirmed using the graph.

In addition, for the type with stoppers, confirm the lifting force at 1 mm.

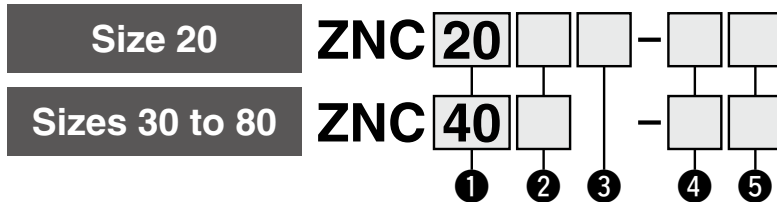
(For the type with a vibration suppression cover, confirm the lifting force at 1.5 mm.)

For the ZNC40, as the lifting force is 5.5 N when the supply pressure is 0.4 MPa, the lifting force is greater than the required lifting force. Therefore, the product can be used. If the lifting force is less than the required lifting force, considering rethinking the size, number of grippers to be used, or operating pressure.

The lifting force changes depending on the shape, size, surface unevenness, breathability, flexibility, etc., of the workpiece. Use the selection result as a reference value and perform verification and confirmation on the actual machine.

Bernoulli Gripper ZNC Series

How to Order



1 Body size

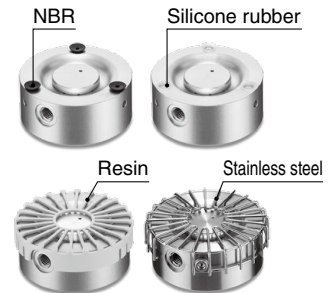
20	ø20 mm
30	ø30 mm
40	ø40 mm
60	ø60 mm
80	ø80 mm

2 Body material

Nil	Aluminum	
	Resin	
S	Stainless steel	

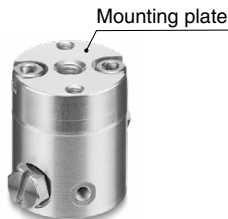
4 Attachment

Nil	Basic type (Without attachment)	
PN	With stoppers	NBR (Black)
		Silicone rubber (White)
VP	With vibration suppression cover*1	Resin
		Stainless steel



3 Mounting plate (Size 20)

Nil	Without mounting plate	
T	With mounting plate	Aluminum
TS		Stainless steel



- * The mounting plate is shipped together with the product but does not come assembled. Single unit part nos. ⇒ p. 16
- * The piping methods for types with and without a mounting plate are shown in Table 2 below.

*1 Refer to the Table 1. With Vibration Suppression Cover for the size and material.

- * Stoppers cannot be retrofitted.
- * Vibration suppression cover can be retrofitted to the basic type.
- * The vibration suppression cover cannot be used with the type with stoppers.

5 Pressure sensor

Nil	None
S	With pressure sensor Part no.: PSE541-M5-X2



- * The pressure sensor is shipped together with the product but does not come assembled.

Table 1. With Vibration Suppression Cover

Symbol	Material	Body size symbol	Body material		
			Aluminum	Resin	Stainless steel
VP	Resin	20	—	—	—
		30	—	—	—
		40	●	●	—
		60	—	—	—
		80	—	—	—
VS	Stainless steel	20	●	●	●
		30	●	●	●
		40	●	—	●
		60	●	●	●
		80	●	●	●

Table 2. Size 20 Piping (Refer to page 16 for details on how to mount the product.)

	Without mounting plate		With mounting plate	
	Side ported	Body ported (Requires no piping)	Top ported	Side ported
Without mounting plate	 Can be used by blocking the supply port on the top surface of the product with the mounting surface and connecting from the side port	 Can be used by connecting the piping inside the mounting surface with the supply port on the top surface of the product	 Can be used by mounting a fitting on the supply port on the top surface of the product and connecting	 Can be used by blocking the supply port on the top surface of the product with the mounting plate and connecting from the side port

- * An O-ring (5.7 x 3.7 x 1) and a plug are shipped together with the product as accessories.

Attachments/Part Nos.

Stopper ZNCM-PS 2

Material

PN	NBR (Black)
PS	Silicone rubber (White)

Stopper size

Symbol	Body size
1	20, 30
2	40, 60, 80

- * Stopper size 1: With 3 stoppers
- * Stopper size 2: With 3 stoppers and 3 spring pins
- For replacement instructions ⇒ Refer to page 20.

Vibration suppression cover ZNCM-40 VP

Body size

20	ø20 mm	60	ø60 mm
30	ø30 mm	80	ø80 mm
40	ø40 mm		

Material

VP	Resin
VS	Stainless steel

- * Material: Resin is only selectable for body size 40.

- * For stainless steel:
Body sizes ø20mm and ø30 mm: With 2 mounting screws
Body sizes ø40 mm, ø60 mm, and ø80 mm: With 3 mounting screws



Specifications

Model		ZNC20	ZNC30	ZNC40	ZNC60	ZNC80	
Lifting force [N] *1, *3		5.2	10.7	13.8	28.3	65	
Air consumption [L/min] (ANR) *2, *3		131	138	182	182	255	
Type		Bernoulli					
Fluid		Air					
Operating pressure		0.1 to 0.5 MPa					
Proof pressure		0.75 MPa					
Ambient and operating temperatures *4	Body material	Aluminum	-5 to 80°C (0 to 50°C)				
		Resin	-5 to 40°C (0 to 40°C)				
		Stainless steel	-5 to 80°C (0 to 50°C)				
Grease		Grease-free					
Weight [g] *5	Body material	Aluminum	12	27	48	110	193
		Resin	7	17	30	67	119
		Stainless steel	34	77	139	323	568
Pressure sensor *6		PSE541-M5-X2 (Grease-free) Rated pressure range: 0 to -101 kPa					

*1 Lifting force of the basic type at the max. supply pressure

Values when a flat, non-breathable workpiece is adsorbed

*2 Air consumption at the max. supply pressure

*3 (For the ZNC20, 30, 40, and 60) The values are for when the connection is as follows: Fitting min. hole diameter: $\phi 2.5$, Tubing size: $\phi 6 \times \phi 4$, Length: 500 mm

(For the ZNC80) The values are for when the connection is as follows: Fitting min. hole diameter: $\phi 4.5$, Tubing size: $\phi 6 \times \phi 4$, Length: 500 mm

*4 No freezing or condensation. The values in () are for models with a pressure sensor.

*5 **ZNC20**: The weight value is for the basic type without a mounting plate or plug. Add the mounting plate weight if needed. (Aluminum: 6.5 g, Stainless steel: 17.6 g)

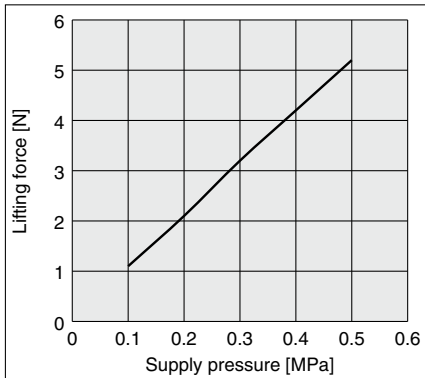
ZNC30 to 80: The weight value is for the basic type without a plug.

*6 For pressure sensor details, refer to the PSE540 series in the **Web Catalog** and the Operation Manual.

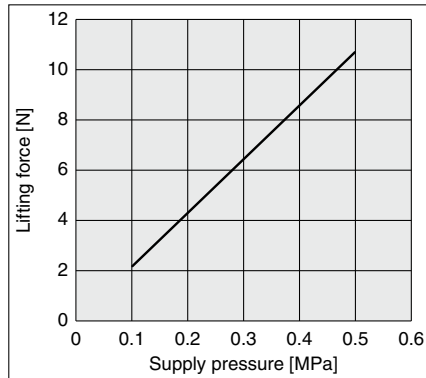
ZNC Series

Lifting Force

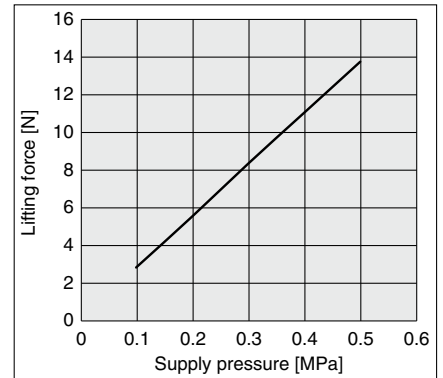
ZNC20□



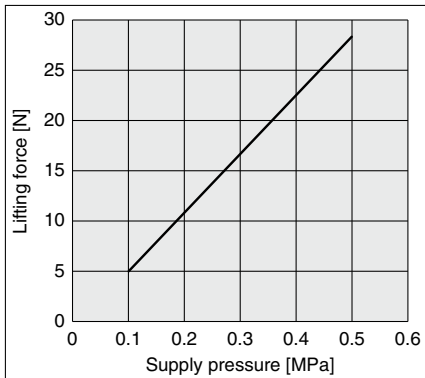
ZNC30□



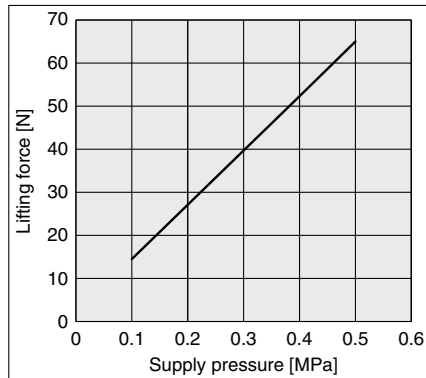
ZNC40□



ZNC60□

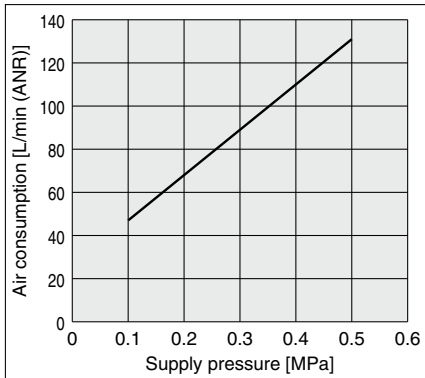


ZNC80□

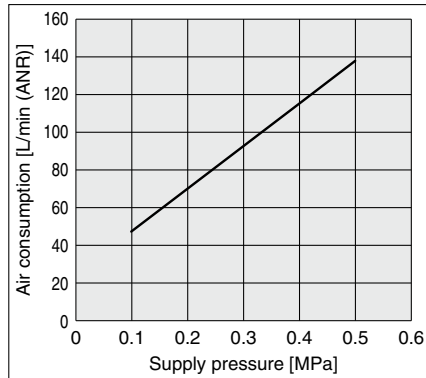


Air Consumption

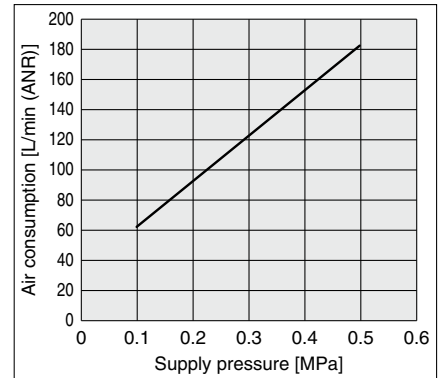
ZNC20□



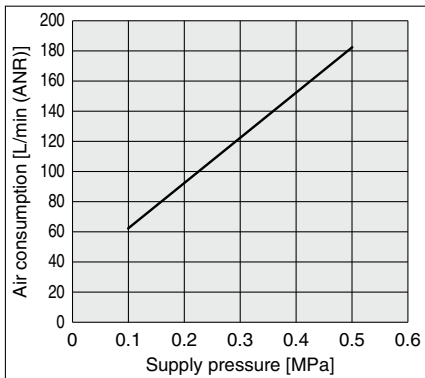
ZNC30□



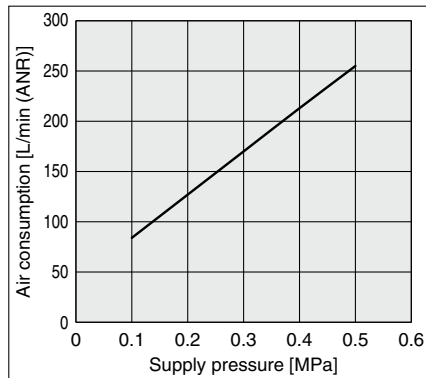
ZNC40□



ZNC60□

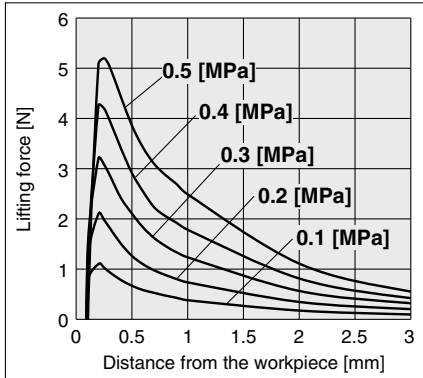


ZNC80□

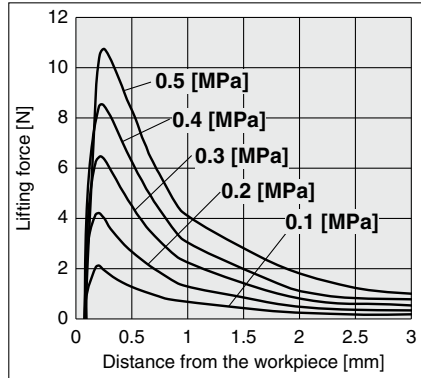


Lifting Force–Distance from the Workpiece

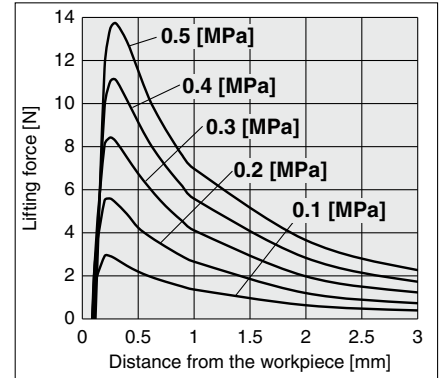
ZNC20



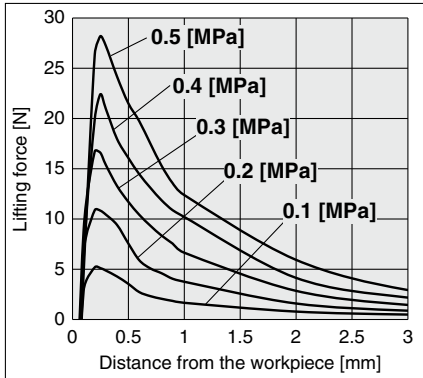
ZNC30



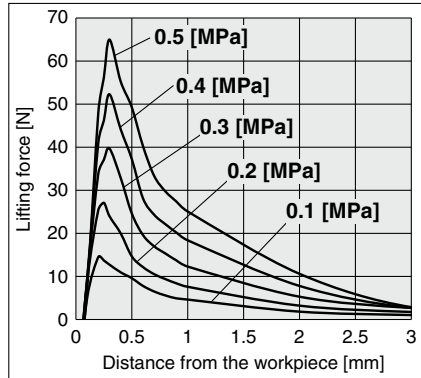
ZNC40



ZNC60



ZNC80



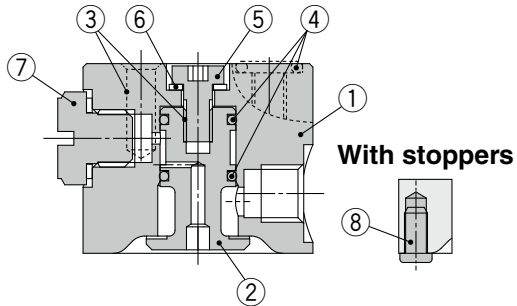
- * The lifting force changes depending on the shape, size, surface unevenness, breathability, flexibility, etc., of the workpiece. Use the values shown in the graphs above as a reference, and confirm using the actual machine.
- * For the lifting force when using stoppers or a vibration suppression cover, use the following values as a guide for the distance from the workpiece. With stoppers: 1 mm, With vibration suppression cover: 1.5 mm

ZNC Series

Construction

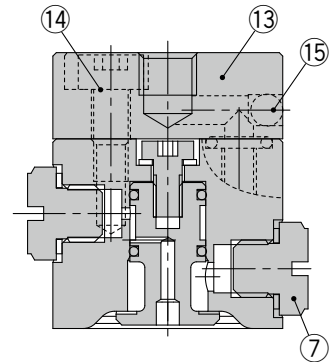
ø20

Basic type



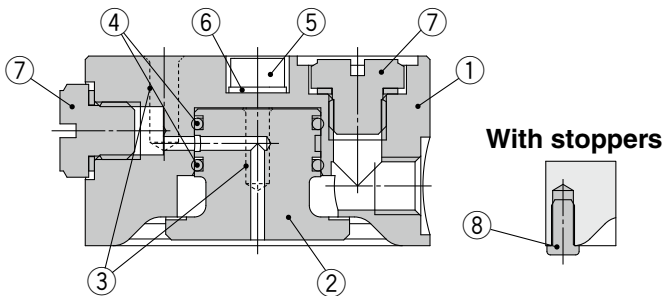
ø20

With mounting plate



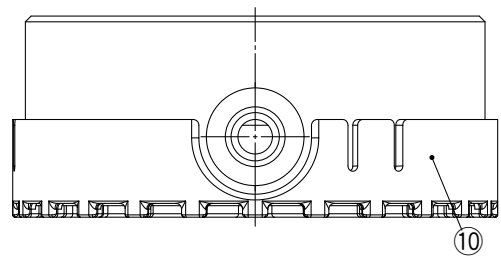
ø30

Basic type



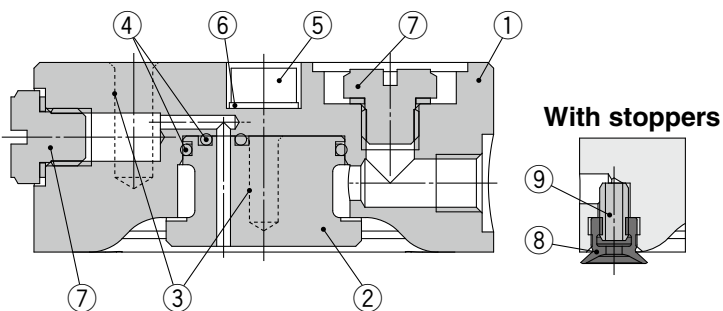
ø40

With vibration suppression cover: Resin



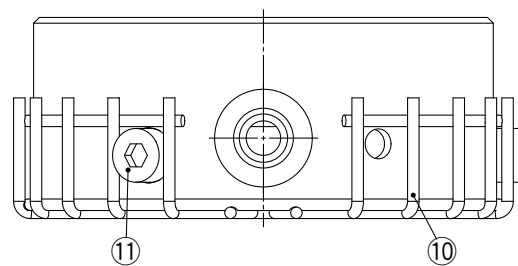
ø40, ø60

Basic type

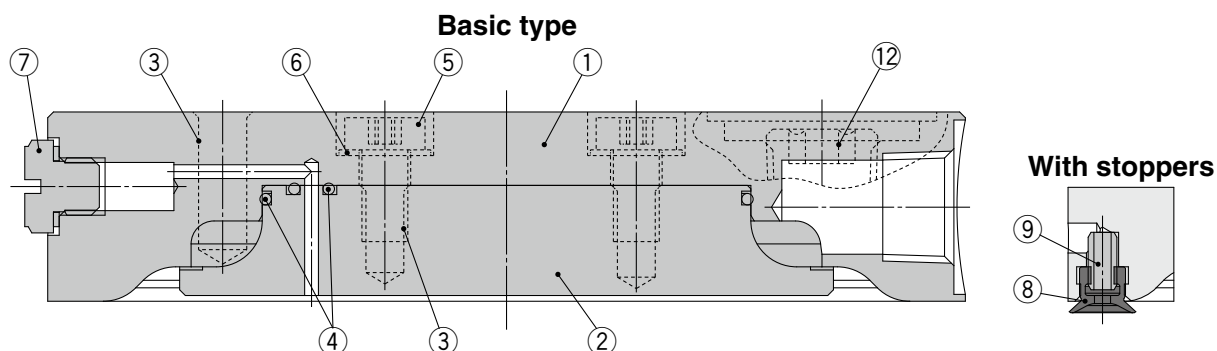


ø20, ø30, ø40, ø60, ø80

With vibration suppression cover: Stainless steel



ø80

**Component Parts**

No.	Description	Material (Surface treatment)	Note	
1	Body	Aluminum alloy (Anodized)	Body material	For aluminum
		Synthetic resin	Body material	For resin
		Stainless steel	Body material	For stainless steel
2	Deflector	Aluminum alloy (Anodized)	Body material	For aluminum
		Synthetic resin	Body material	For resin
		Stainless steel	Body material	For stainless steel
3	Helical insert	Stainless steel	Body material	For resin
4	O-ring	FKM		
5	Hexagon socket head cap screw	Stainless steel		
6	Flat washer	Stainless steel		
7	Plug	Stainless steel/FKM		
8	Stopper	NBR	With stoppers	Refer to page 5 for part numbers.
		Silicone rubber*1, *2		
9	Spring pin	Stainless steel		
10	Vibration suppression cover	Synthetic resin	With vibration suppression cover	
		Stainless steel		
11	Hexagon socket head cap screw	Stainless steel		
12	Hexagon socket head plug	Stainless steel		
13	Mounting plate	Aluminum alloy (Anodized)	Mounting plate material	For aluminum
		Stainless steel	Mounting plate material	For stainless steel
14	Hexagon socket head cap screw	Stainless steel		
15	Steel ball	Stainless steel		

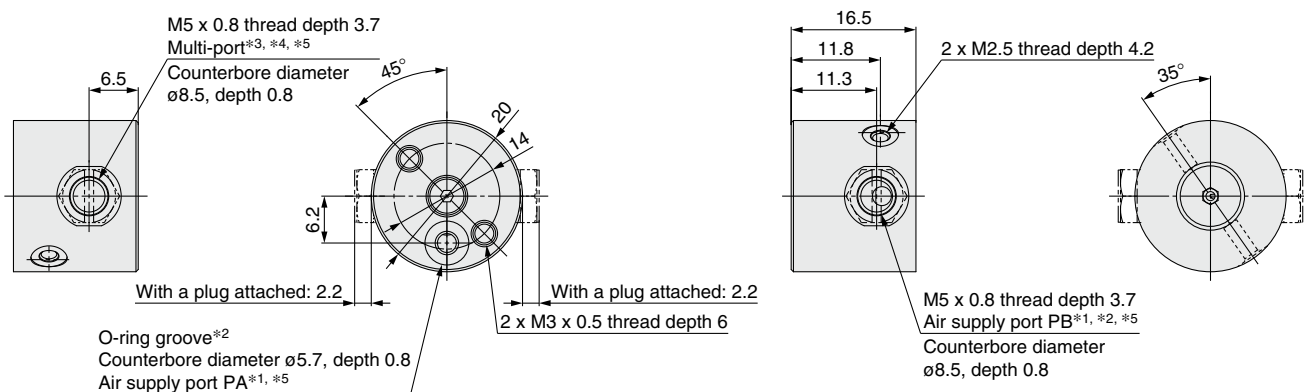
*1 Compliant with the FDA's (U.S. Food and Drug Administration) 21CFR§177.2600 dissolution test

*2 Compliant with the standards for "Rubber apparatus (excluding baby drinking apparatus) and containers/packaging" (D3) (Partial revision: Japanese Ministry of Health, Labour, and Welfare Notification No. 595, 2012) in Section 3 "Apparatus and Containers/Packaging" of the Food Sanitation Act, Article 18 "Specifications and Standards for Food and Food Additives, etc." (Japanese Ministry of Health and Welfare Notification No. 370, 1959)

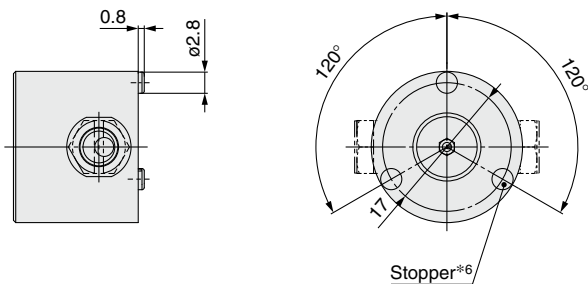
ZNC Series

Dimensions: $\varnothing 20$ (Without mounting plate)

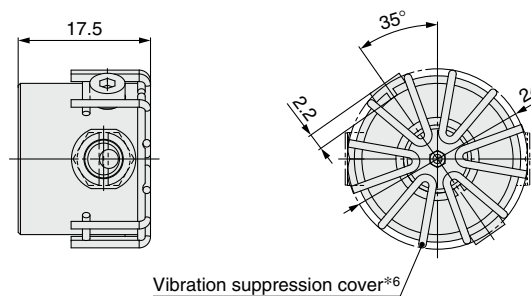
Basic type



With stoppers



With vibration suppression cover

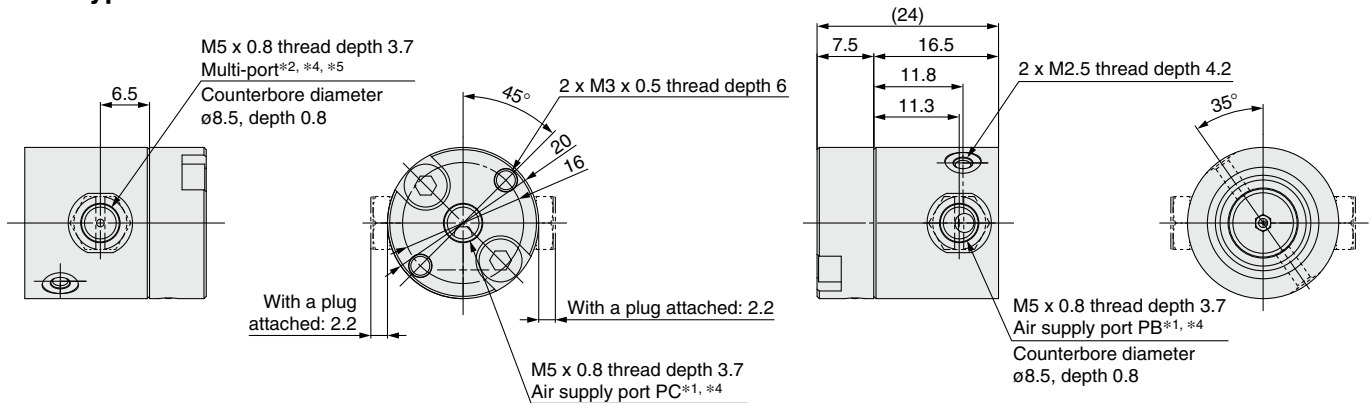


- *1 Supply air to either air supply port PA or PB. Plug the unused air supply port.
- *2 An O-ring (5.7 x 3.7 x 1) and a plug for the air supply port PB are included with the product. Be sure to attach the O-ring. For details on how to mount the product, refer to the "Specific Product Precautions."
- *3 Use the multi-port as a sensor mounting or release port.
- *4 Seal the multi-port with a plug when not in use.
- *5 The product is shipped with a plug in the multi-port. After determining which port to use, it is recommended that adhesive be applied to the threads of the air supply port and the multi-port.

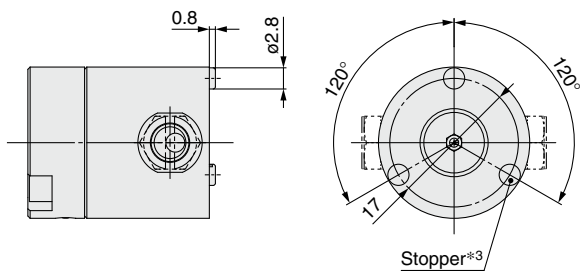
- *6 The vibration suppression cover cannot be used with the type with stoppers.
- * The pressure sensor is shipped together with the product but does not come assembled.
- * For pressure sensor details, refer to the PSE540 series in the **Web Catalog** and the Operation Manual.

Dimensions: $\varnothing 20$ (With mounting plate)

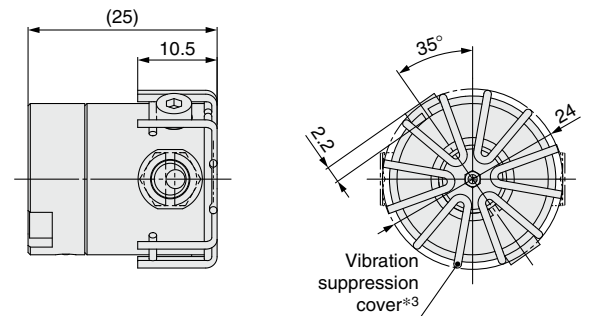
Basic type



With stoppers



With vibration suppression cover



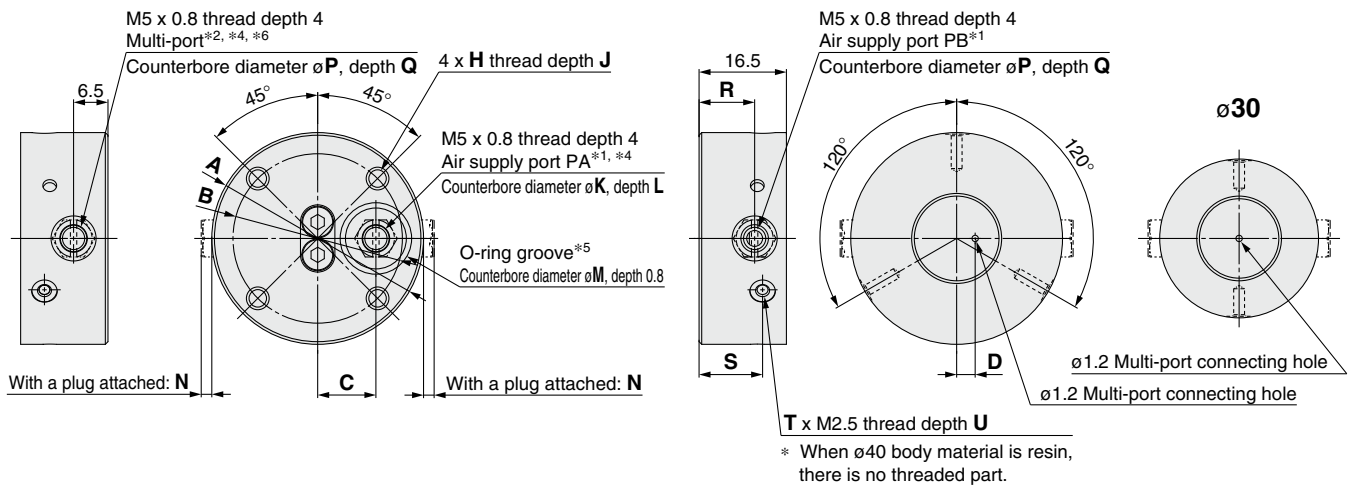
- *1 Be sure to change the mounting plate direction in accordance with whether air supply port PB or PC is used. Also, be sure to mount the product in accordance with the mounting method described in the "Specific Product Precautions."
- *2 Seal the multi-port with a plug when not in use.
- *3 The vibration suppression cover cannot be used with the type with stoppers.
- *4 The product is shipped with a plug in the multi-port. After determining which port to use, it is recommended that adhesive be applied to the threads of the air supply port and the multi-port.

- *5 Use the multi-port as a sensor mounting or release port.
- * The mounting plate comes with 1 O-ring (5.7 x 3.7 x 1), 1 plug for air supply port PB, and 2 mounting screws. The mounting plate does not come assembled.
- * For pressure sensor details, refer to the PSE540 series in the **Web Catalog** and the Operation Manual.
- * The pressure sensor is shipped together with the product but does not come assembled.

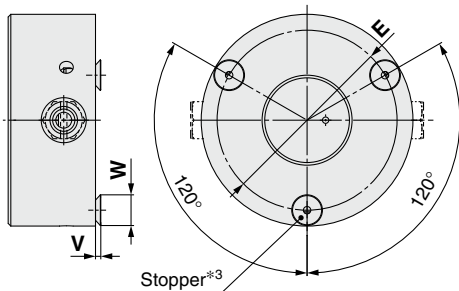
ZNC Series

Dimensions: $\varnothing 30$, $\varnothing 40$, $\varnothing 60$

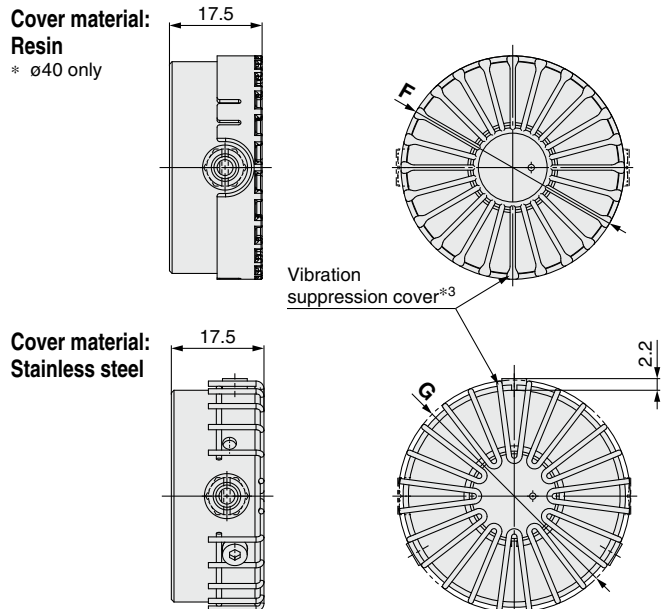
Basic type



With stoppers



With vibration suppression cover



- *1 Supply air to either air supply port PA or PB. Seal the unused ports with plugs.
- *2 Seal the multi-port with a plug when not in use.
- *3 The vibration suppression cover cannot be used with the type with stoppers.
- *4 The product is shipped with plugs in the air supply port PA and multi-port. After determining which port to use, it is recommended to apply adhesive to the threads of the two air supply ports and the multi-port.

- *5 The O-ring is not included. If needed, it can be ordered separately or prepared by the customer.
- *6 Use the multi-port as a sensor mounting or release port.
- * For pressure sensor details, refer to the PSE540 series in the **Web Catalog** and the Operation Manual.
- * The pressure sensor is shipped together with the product but does not come assembled.

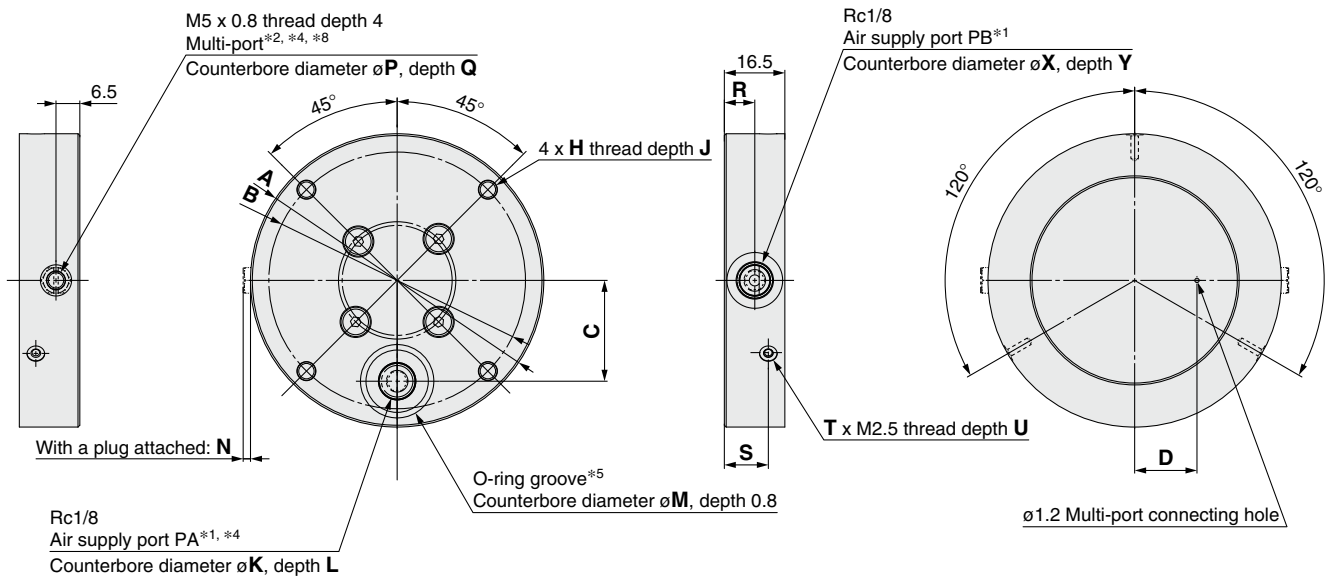
Dimensions

Model																					[mm]				
	Outer body dia.	Body material	A	B	C	D	E	F	G	H	J	K	L	M	N	P	Q	R	S	T	U	V	W	Weight [g] ^{*1}	
ZNC	30	Nil																						27	
		P	30	23	8.7	—	27	—	34	M3 x 0.5	6	8.5	3.3	10.5	2.2	8.5	0.8	11.3	11.8	2	4.2	0.8	2.8	17	
		S																							77
	40	Nil																							48
		P	40	32	11	3.5	34	42.2	44																30
		S																							139
60	Nil																							110	
	P	60	47	21	10	54	—	64	M4 x 0.7	8	11.5	3.6	13.5	2	8.5	1.0	10.5	12	3	5	1	5.8	67		
	S																							323	

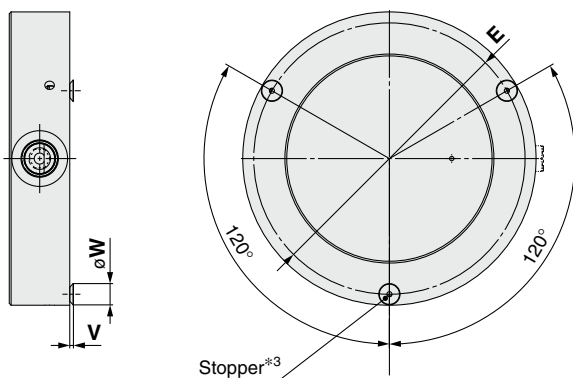
*1 The stopper, vibration suppression cover, and plug weights are not included.

Dimensions: Ø80

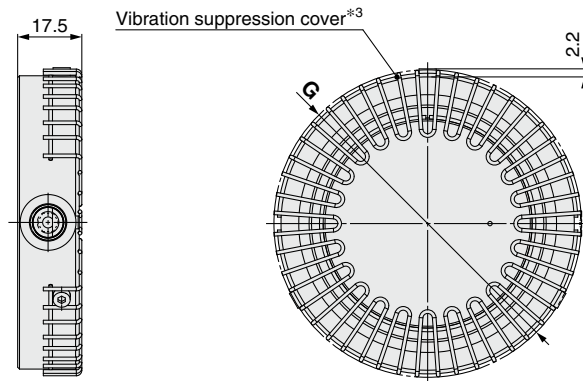
Basic type



With stoppers



With vibration suppression cover



- *1 Supply air to either air supply port PA or PB. Seal the unused ports with plugs.
- *2 Seal the multi-port with a plug when not in use.
- *3 The vibration suppression cover cannot be used with the type with stoppers.
- *4 The product is shipped with plugs in the air supply port PA and multi-port. After determining which port to use, it is recommended to apply adhesive to the threads of the two air supply ports and the multi-port.

- *5 The O-ring is not included. If needed, it can be ordered separately or prepared by the customer.
- *6 Use the multi-port as a sensor mounting or release port.
- * For pressure sensor details, refer to the PSE540 series in the **Web Catalog** and the Operation Manual.
- * The pressure sensor is shipped together with the product but does not come assembled.

Dimensions

ZNC	Model																			Weight [g]*1						
	Outer body dia.	Body material	A	B	C	D	E	F	G	H	J	K	L	M	N	P	Q	R	S	T	U	V	W	X	Y	
	80	Nil	80	70	27.5	17	74	—	84	M5 x 0.8	10	17	2.5	20	2	8.5	1.0	8.3	12	3	5	1	5.8	15.2	1.0	193
	P																									119
	S																									568

*1 The stopper, vibration suppression cover, and plug weights are not included.



ZNC Series

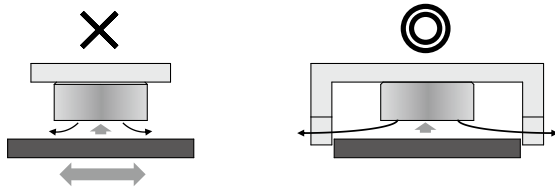
Specific Product Precautions 1

Be sure to read this before handling the products.

Design / Selection

- In the Bernoulli gripper, air flows between the suction surface and the workpiece when the workpiece is adsorbed. The workpiece is then gripped without direct contact, making it easy to slide sideways. Consider an external guide, etc., for safety design.**

The workpiece may fall due to the influence of external force or inertial force during workpiece transportation. This can cause injury or damage the equipment.



No restraining force in the horizontal direction

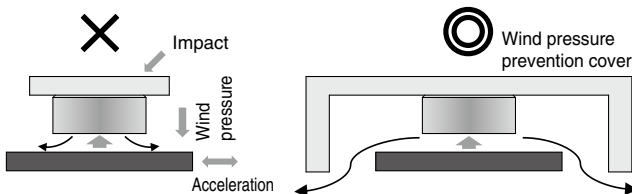
Restrain horizontal movement with a guide.

- The product performance of the Bernoulli gripper varies greatly depending on the type of workpiece. Please make your selection carefully.**

The lifting force changes depending on the shape, size, surface unevenness, breathability, flexibility, etc., of the workpiece.

- Select the Bernoulli gripper with sufficient margin for acceleration/deceleration, vibration, shock, and wind pressure during workpiece transportation.**

Ensure a safety factor for the allowable lifting force. The recommended value is 2 or more. If necessary, reduce external force and install a wind pressure prevention cover to design a safe application.



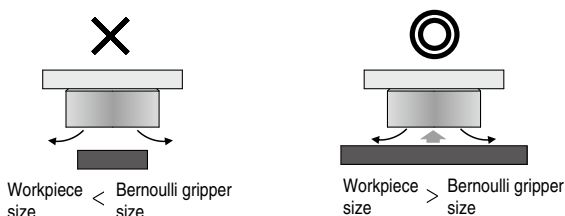
- When adjusting the distance between the Bernoulli gripper and the workpiece, design your application taking the performance characteristics for the distance into consideration.**

The lifting force changes depending on the distance from the workpiece.

- When adsorbing food, take sufficient safety measures. Additionally, please contact us in advance.**

- The product performance described in the catalog is based on the condition that the workpiece is larger than the product suction surface, and the workpiece is smooth and non-breathable.**

If the workpiece is smaller than the product suction surface, the lifting force may be reduced or it may not be possible to lift. Please check with customer's equipment before use.



Workpiece size < Bernoulli gripper size

Workpiece size > Bernoulli gripper size

Mounting

- Be careful not to drop or hit the product to avoid scratches and dents.**

Even slight deformation of the suction surface can decrease product performance.

- When installing the product, tighten it with an appropriate tightening torque.**

If excessive or insufficient tightening torque is applied, sealing failure or loose screws may result. Adhesive is recommended for screws.

Body Mounting

Model	Body material	Screw size	Max. screw-in depth [mm]	Tightening torque [N·m]
ZNC(20, 30)	Aluminum	M3 x 0.5	6	0.63
ZNC(20, 30)P	Resin			0.32
ZNC(20, 30)S	Stainless steel			0.63
ZNC(40, 60)	Aluminum	M4 x 0.7	8	1.5
ZNC(40, 60)P	Resin			0.76
ZNC(40, 60)S	Stainless steel			1.5
ZNC80	Aluminum	M5 x 0.8	10	3
ZNC80P	Resin			1.5
ZNC80S	Stainless steel			3

- When installing the stainless steel vibration suppression cover, tighten it with the proper tightening torque.**

If excessive or insufficient tightening torque is applied, loose screws may result. Adhesive is recommended for screws.

Vibration Suppression Cover Mounting (Stainless steel type only)

Model	Body material	Screw size	Max. screw-in depth [mm]	Tightening torque [N·m]
ZNC(20, 30)	Aluminum	M2.5 x 0.45	4.2	0.36
ZNC(20, 30)P	Resin			0.18
ZNC(20, 30)S	Stainless steel			0.36
ZNC(40, 60, 80)	Aluminum	M2.5 x 0.45	5	0.36
ZNC(40, 60, 80)P	Resin			0.18
ZNC(40, 60, 80)S	Stainless steel			0.36

- When installing tube fitting (supply port), pressure sensor (multi-port), and plugs, tighten them with an appropriate tightening torque. Retighten all bolts regularly.**

If excessive or insufficient tightening torque is applied, loose screws may result. Loose bolts may cause air leakage or falling of parts. Retighten them regularly and apply adhesive.

Supply Port

Model	Body material	Screw size	Max. screw-in depth [mm]	Tightening torque [N·m]
ZNC20	Aluminum	M5 x 0.8	3.7	1 to 1.5
ZNC20P	Resin			0.5 to 1
ZNC20S	Stainless steel			1 to 1.5
ZNC(30, 40, 60)	Aluminum	M5 x 0.8	4	1 to 1.5
ZNC(30, 40, 60)P	Resin			0.5 to 1
ZNC(30, 40, 60)S	Stainless steel			1 to 1.5
ZNC80	Aluminum	R1/8	—	7
ZNC80P	Resin			3
ZNC80S	Stainless steel			7



ZNC Series

Specific Product Precautions 2

Be sure to read this before handling the products.

Mounting

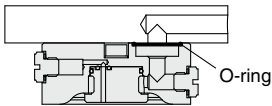
5. When mounting the product directly without piping, smooth the mounting surface (Recommended surface roughness: Rz 25 or less) and use an appropriate O-ring. (The O-ring can be ordered separately or prepared by the customer.)

Installation on a mounting surface with a rough surface, scratches or dents, or mounting an unsuitable O-ring may cause sealing failure.

O-rings

Model	Single unit part no.	Size
ZNC30□	ZNCM-30DR	10.5 x 8.5 x 1
ZNC(40, 60)□	ZNCM-40DR	13.5 x 11.5 x 1
ZNC80□	ZNCM-80DR	20 x 18 x 1

* Sales unit: 10 pcs.



Mounting (ø20)

<Without Mounting Plate>

When mounting the product, be sure to attach the O-ring included with the product. Also, the mounting surface should be smooth (Recommended surface roughness: Rz 25 or less).

When using the product without piping (body ported), seal the air supply port PB with the attached plug.

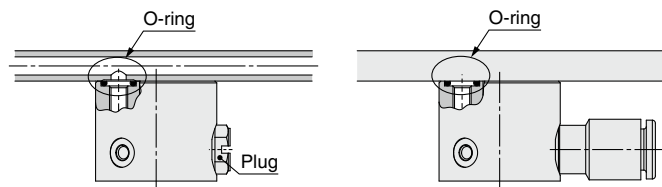
When piping from the side, cover the air supply port PA on the top of the product with the mounting surface.

Installation on a mounting surface with a rough surface, scratches or dents, or mounting an unsuitable O-ring may cause sealing failure.

Attached O-ring

Model	Single unit part no.	Size
ZNC20□	ZNCM-20DR	5.7 x 3.7 x 1

* Sales unit: 10 pcs.



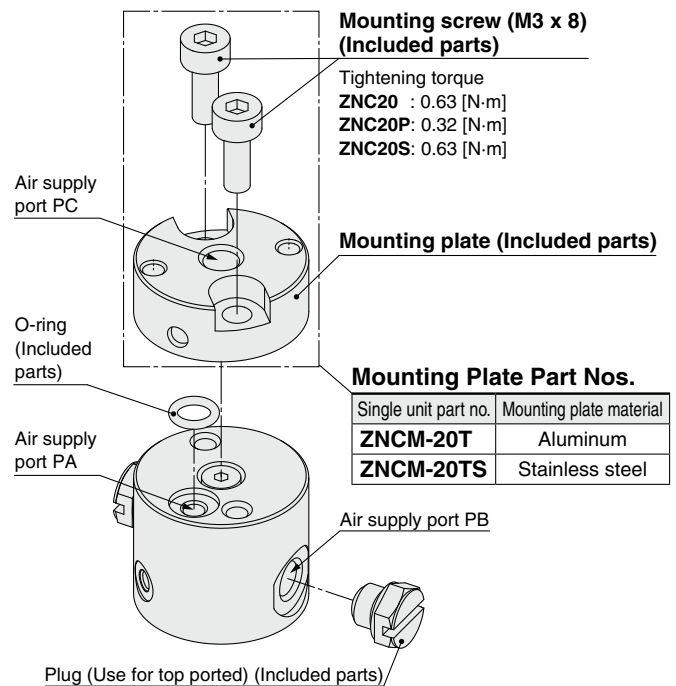
Requires no piping (Body ported)

Side ported

Assembly (ø20)

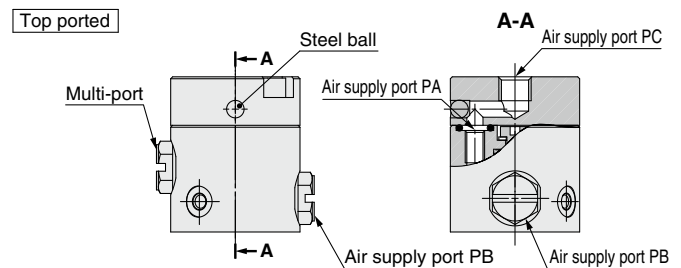
The mounting plate is shipped together with the product but does not come assembled. Please follow the assembly instructions below. In addition, be sure to change the mounting plate direction in accordance with the piping method.

Mounting method

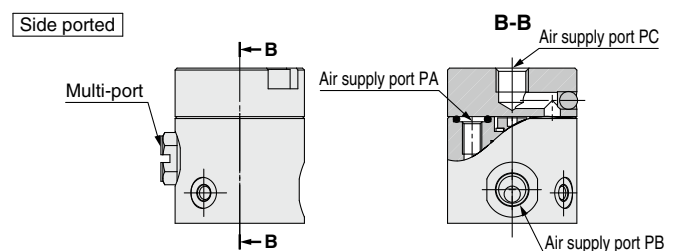


* The drawing above shows the top ported type.

Mounting direction



If the steel ball is visible the multi-port is on the left and the air supply port PB is on the right, the air supply port PA and the air supply port PB are interconnected.



If the steel ball is not visible the multi-port is on the left and the air supply port PB is on the right, the air supply port PA is plugged.



ZNC Series

Specific Product Precautions 3

Be sure to read this before handling the products.

Air Supply

1. Use compressed air and control the cleanliness.

Install an air filter, air dryer, or a mist separator. A system with a quality grade of No. C or higher in the air preparation equipment model selection guide of the **Web Catalog** is recommended.

Handling

1. Depending on the usage conditions, the workpiece may come into contact with the main body at the moment of suction even when using the basic type. If the product with stoppers or with a vibration suppression cover is used, it will come into contact with the workpiece.

2. The NBR stoppers are not suitable for ozone environments, so select silicone rubber.

Deterioration is accelerated in ozone environments such as in clean rooms, around ionizers, or around motor equipment.

3. The vibration suppression cover cannot be used with the type with stoppers.

4. When a thin and soft workpiece is adsorbed, a high-frequency sound may be generated. This generation of sound is due to the vibration of the workpiece and is not a product abnormality.

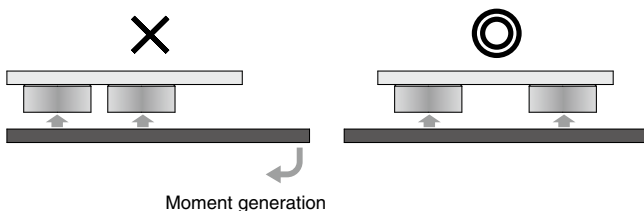
Sound generation may be reduced by reducing the supply pressure or using the vibration suppression cover.

5. Depending on the type of workpiece and usage conditions, the pressure sensor may not be able to detect the workpiece or the sensor value may differ.

The vacuum pressure changes depending on the type of workpiece and the conditions of use. Be sure to conduct testing with the actual device and workpiece before operation.

6. When arranging the Bernoulli grippers, consider the position of the center of gravity of the workpiece to maintain balance.

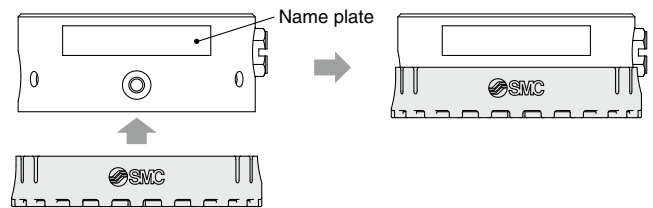
If the mounting position of the product and the position of the center of gravity of the workpiece are misaligned, moment may be generated due to the weight of the workpiece, which may cause it to fall.



Handling

7. When installing the vibration suppression cover (synthetic resin), align the center position of the product name plate with the SMC logo on the vibration suppression cover.

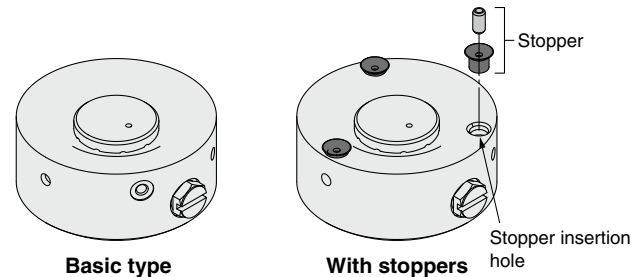
If the mounting position is not correct, the vibration suppression cover may interfere with the fittings, etc., resulting in the deterioration of product performance and damage to the cover.



8. Stoppers cannot be retrofitted.

Since the body shape of the basic type and the type with stoppers are different, it is not possible to add stoppers to the basic type. If you order the type with stoppers and then remove the stoppers to use it as the basic type, the lifting force will be lower than the basic type.

However, the vibration suppression cover can be retrofitted to the basic type.



Example) For the ZNC40□/ZNC60□/ZNC80□



ZNC Series

Specific Product Precautions 4

Be sure to read this before handling the products.

Handling

9. Use fittings with the following specifications or use the recommended fittings on page 19.

If the fitting dimensions are not compatible with the product, it may interfere with the product body. Therefore, such fittings cannot be used. For example, if the external dimensions of the fitting are too large, the following types of interference may occur. (See the precautions for each type of piping below.)

And if the min. hole diameter of the air supply port fitting is too small, the product may fail to operate properly.

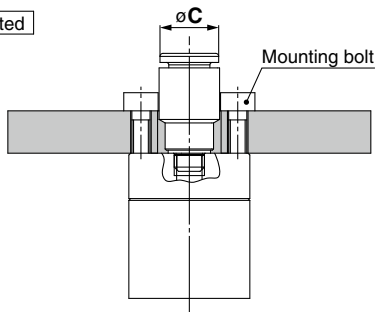
[Top ported] It may interfere with the product mounting bolt.

[Side ported] It may protrude from the product suction surface, interfering with the workpiece.

[Multi-port] It may protrude from the product mounting surface, interfering with the mounting portion.

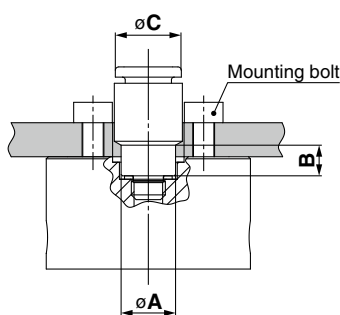
ø20 (With mounting plate)

Top ported

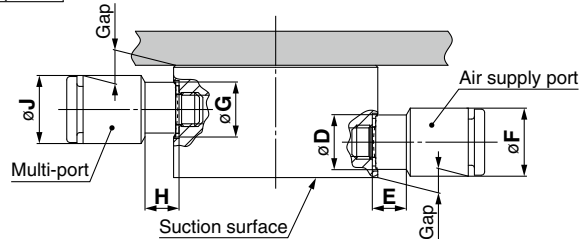


ø30, ø40

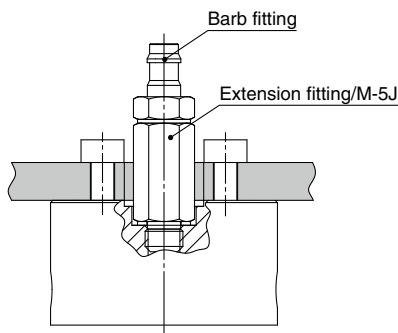
Top ported



Side ported



Extension fitting/M-5J usage example



Specifications

[mm]

Model	Top ported			Side ported			Multi-port			Min. hole diameter
	A	B	C	D	E	F	G	H	J	
ZNC20	—	—	10 or less	8.3 or less	1 or more	10 or less	8.3 or less	1 or more	10 or less	2.5 or more
ZNC30	8.3 or less	3.6 or more	10 or less		1.2 or more	11 or less		1.2 or more	11 or less	4.5 or more
ZNC(40, 60)	11.3 or less	3.9 or more	11 or less	15 or less		16.2 or less				
ZNC80	16.8 or less	2.7 or more	—	15 or less	1.2 or more	16.2 or less	1.2 or more	11 or less	4.5 or more	



ZNC Series

Specific Product Precautions 5

Be sure to read this before handling the products.

Handling

Recommended Fitting Part Numbers List

Series	Variations	Model	Top ported				Side ported			Multi-port	
			ZNC20T	ZNC30	ZNC (40, 60)	ZNC80	ZNC (20, 30)	ZNC (40, 60)	ZNC80	ZNC (20, 30)	ZNC (40, 60, 80)
One-touch fittings	Male connector	KQ2H04-M5□	●	○	●	—	●	●	—	●	●
		KQ2H06-M5□	—	—	●	—	—	●	—	—	●
		KQ2H06-01□S	—	—	—	●	—	—	●	—	—
	Hexagon socket head male connector	KQ2H08-01□S	—	—	—	●	—	—	●	—	—
		KQ2S04-M5□	●	●	●	—	●	●	—	●	●
		KQ2S06-M5□	●	●	●	—	●	●	—	●	●
		KQ2S06-01□S	—	—	—	●	—	—	●	—	—
Metric size/ Uni One-touch fittings/ Gasket seal	Male connector	KQ2S08-01□S	—	—	—	●	—	—	●	—	—
		KQ2H06-U01□	—	—	—	●	—	—	●	—	—
	Hexagon socket head male connector	KQ2H08-U01□	—	—	—	●	—	—	●	—	—
Metric size/ One-touch fittings/ Face seal	Male connector	KQ2S06-U01□	—	—	—	●	—	—	●	—	—
		KQ2S08-U01□	—	—	—	●	—	—	●	—	—
	Hexagon socket head male connector	KQ2H06-01□P	—	—	—	●	—	—	●	—	—
Metal One-touch fittings	Male connector	KQ2H08-01□P	—	—	—	●	—	—	●	—	—
		KQ2S06-01□P	—	—	—	●	—	—	●	—	—
		KQ2S08-01□P	—	—	—	●	—	—	●	—	—
	Hexagon socket head male connector	KQB2H04-M5	—	—	●	—	—	●	—	—	●
		KQB2H06-01S	—	—	—	●	—	—	●	—	—
		KQB2H08-01S	—	—	—	●	—	—	●	—	—
		KQB2S04-M5	●	○	●	—	●	●	—	●	●
Miniature fittings	Barb fitting for nylon tubing	M-5AN-6	●	○	●	—	●	●	—	●	●
	Barb fitting for soft tubing	M-5AU-6	●	○	●	—	●	●	—	●	●
	Hose nipple	M-5H-6	●	○	○	—	—	—	—	—	—
Stainless steel One-touch fittings	Male connector	KQB2S08-01S	—	—	—	●	—	—	●	—	—
		KQ2H04-M5G1	●	○	●	—	●	●	—	●	●
		KQ2H06-M5G1	—	—	●	—	—	—	—	—	—
	Hexagon socket head male connector	KQ2H06-01GS1	—	—	—	●	—	—	●	—	—
		KQ2H08-01GS	—	—	—	●	—	—	●	—	—
		KQ2S04-M5G1	●	●	●	—	●	●	—	●	●
		KQ2S06-M5G1	●	●	●	—	—	—	—	—	—
One-touch fittings/ Stainless steel 316	Male connector	KQ2S06-01GS1	—	—	—	●	—	—	●	—	—
		KQ2S08-01GS	—	—	—	●	—	—	●	—	—
		KQ2S08-01S	—	—	—	●	—	—	●	—	—
	Hexagon socket head male connector	KQG2H04-M5	—	—	●	—	—	●	—	—	●
		KQG2H06-01S	—	—	—	●	—	—	●	—	—
		KQG2H08-01S	—	—	—	●	—	—	●	—	—
		KQG2S04-M5	●	○	●	—	●	●	—	●	●
Miniature fittings/ Stainless steel 316	Barb fitting for soft tubing	KQG2S06-01S	—	—	—	●	—	—	●	—	—
		KQG2S08-01S	—	—	—	●	—	—	●	—	—
	Hose nipple	MS-5AU-6	●	○	●	—	●	●	—	●	●
		MS-5H-6	●	○	○	—	—	—	—	—	

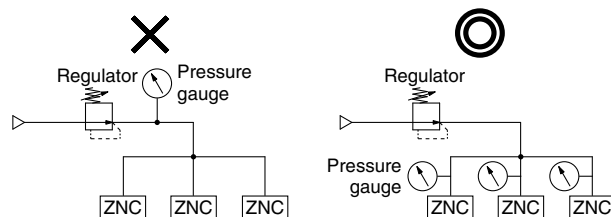
* ●: Applicable, ○: Extension fitting/M-5J required separately

* □: A (Brass), N (Brass + Electroless nickel plating)

10. When multiple Bernoulli grippers are to be operated simultaneously, adjust the individual piping pressure of each gripper to the set pressure.

When the pressure is set just before a piping branch, the piping pressure in each pipe will decline, resulting in the product failing to operate properly.

The catalog values are for when the connection between the pressure gauge and the Bernoulli gripper is as follows: Fitting min. hole diameter: $\phi 2.5$ ($\phi 20$, $\phi 30$, $\phi 40$, $\phi 60$), Fitting min. hole diameter: $\phi 4.5$ ($\phi 80$), Tubing size: $\phi 6 \times \phi 4$, Length: 500 mm





ZNC Series

Specific Product Precautions 6

Be sure to read this before handling the products.

Maintenance

1. Do not disassemble or modify the body of the product.

If the disassembled and/or modified, the functions and performance may not be achieved and the product will not be warranted.

2. In periodical inspections, check the following items and replace the parts if necessary.

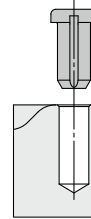
- Scratches, gouges, abrasion, corrosion
- Air leakage (Retighten the fitting and plugs.)
- Twisting, crushing, and turning of connected tubes
- Hardening, deterioration, and softening of connected tubes
- Cracks, wear, and deformation of the stopper

3. Replacement of the stopper

If the stopper is not mounted correctly, the product performance may deteriorate and the stopper may be damaged.

ZNC20□/ZNC30□

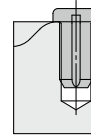
1



After removing the old stopper, insert the new stopper into the body.

*1 Apply alcohol for easier insertion.

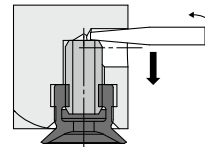
2



Push the stopper in until it reaches the position shown in the diagram.

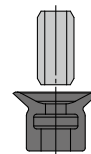
ZNC40□/ZNC60□/ZNC80□

1



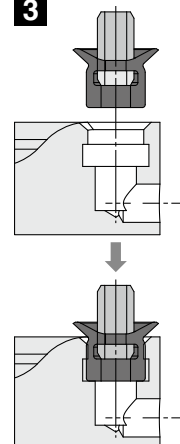
Use a precision screwdriver to push the spring pin out of the side hole in the body and remove the spring pin and stopper.

2



Insert the spring pin to a new stopper.

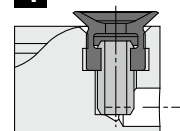
3



Insert the new stopper with a spring pin to the body.*1

*1 Apply alcohol for easier insertion.


4





Insert the spring pin to the end.

Safety Instructions

These safety instructions are intended to prevent hazardous situations and/or equipment damage. These instructions indicate the level of potential hazard with the labels of “**Caution**,” “**Warning**” or “**Danger**.” They are all important notes for safety and must be followed in addition to International Standards (ISO/IEC)*1), and other safety regulations.

 **Caution:** **Caution** indicates a hazard with a low level of risk which, if not avoided, could result in minor or moderate injury.

 **Warning:** **Warning** indicates a hazard with a medium level of risk which, if not avoided, could result in death or serious injury.

 **Danger :** **Danger** indicates a hazard with a high level of risk which, if not avoided, will result in death or serious injury.

*1) ISO 4414: Pneumatic fluid power – General rules relating to systems.
ISO 4413: Hydraulic fluid power – General rules relating to systems.
IEC 60204-1: Safety of machinery – Electrical equipment of machines.
(Part 1: General requirements)
ISO 10218-1: Manipulating industrial robots – Safety.
etc.

Warning

1. The compatibility of the product is the responsibility of the person who designs the equipment or decides its specifications.

Since the product specified here is used under various operating conditions, its compatibility with specific equipment must be decided by the person who designs the equipment or decides its specifications based on necessary analysis and test results. The expected performance and safety assurance of the equipment will be the responsibility of the person who has determined its compatibility with the product. This person should also continuously review all specifications of the product referring to its latest catalog information, with a view to giving due consideration to any possibility of equipment failure when configuring the equipment.

2. Only personnel with appropriate training should operate machinery and equipment.

The product specified here may become unsafe if handled incorrectly. The assembly, operation and maintenance of machines or equipment including our products must be performed by an operator who is appropriately trained and experienced.

3. Do not service or attempt to remove product and machinery/equipment until safety is confirmed.

1. The inspection and maintenance of machinery/equipment should only be performed after measures to prevent falling or runaway of the driven objects have been confirmed.
2. When the product is to be removed, confirm that the safety measures as mentioned above are implemented and the power from any appropriate source is cut, and read and understand the specific product precautions of all relevant products carefully.
3. Before machinery/equipment is restarted, take measures to prevent unexpected operation and malfunction.

4. Contact SMC beforehand and take special consideration of safety measures if the product is to be used in any of the following conditions.

1. Conditions and environments outside of the given specifications, or use outdoors or in a place exposed to direct sunlight.
2. Installation on equipment in conjunction with atomic energy, railways, air navigation, space, shipping, vehicles, military, medical treatment, combustion and recreation, or equipment in contact with food and beverages, emergency stop circuits, clutch and brake circuits in press applications, safety equipment or other applications unsuitable for the standard specifications described in the product catalog.
3. An application which could have negative effects on people, property, or animals requiring special safety analysis.
4. Use in an interlock circuit, which requires the provision of double interlock for possible failure by using a mechanical protective function, and periodical checks to confirm proper operation.

Caution

1. The product is provided for use in manufacturing industries.

The product herein described is basically provided for peaceful use in manufacturing industries.
If considering using the product in other industries, consult SMC beforehand and exchange specifications or a contract if necessary.
If anything is unclear, contact your nearest sales branch.

Limited warranty and Disclaimer/ Compliance Requirements

The product used is subject to the following “Limited warranty and Disclaimer” and “Compliance Requirements”.

Read and accept them before using the product.

Limited warranty and Disclaimer

1. The warranty period of the product is 1 year in service or 1.5 years after the product is delivered, whichever is first.*2)
Also, the product may have specified durability, running distance or replacement parts. Please consult your nearest sales branch.
2. For any failure or damage reported within the warranty period which is clearly our responsibility, a replacement product or necessary parts will be provided.
This limited warranty applies only to our product independently, and not to any other damage incurred due to the failure of the product.
3. Prior to using SMC products, please read and understand the warranty terms and disclaimers noted in the specified catalog for the particular products.

*2) Vacuum pads are excluded from this 1 year warranty.

A vacuum pad is a consumable part, so it is warranted for a year after it is delivered.
Also, even within the warranty period, the wear of a product due to the use of the vacuum pad or failure due to the deterioration of rubber material are not covered by the limited warranty.

Compliance Requirements

1. The use of SMC products with production equipment for the manufacture of weapons of mass destruction (WMD) or any other weapon is strictly prohibited.
2. The exports of SMC products or technology from one country to another are governed by the relevant security laws and regulations of the countries involved in the transaction. Prior to the shipment of a SMC product to another country, assure that all local rules governing that export are known and followed.

Caution


SMC products are not intended for use as instruments for legal metrology.

Measurement instruments that SMC manufactures or sells have not been qualified by type approval tests relevant to the metrology (measurement) laws of each country. Therefore, SMC products cannot be used for business or certification ordained by the metrology (measurement) laws of each country.

Revision History

Edition B * Body sizes have been added.
* The number of pages has been increased from 12 to 24.

BO

 **Safety Instructions** Be sure to read the “Handling Precautions for SMC Products” (M-E03-3) and “Operation Manual” before use.

SMC Corporation

Akihabara UDX 15F,
4-14-1, Sotokanda, Chiyoda-ku, Tokyo 101-0021, JAPAN
Phone: 03-5207-8249 Fax: 03-5298-5362
<https://www.smcworld.com>
© 2023 SMC Corporation All Rights Reserved

Specifications are subject to change without prior notice and any obligation on the part of the manufacturer.

D-G