

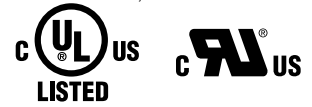
Direct Operated **Pilot Operated**

2-Port Solenoid Valve

Improved environmental resistance due to the stainless steel coil cover [IP67 enclosure]



Refer to pages 7, 9, 11, 25, 35, and 39 for details.



Refer to pages 46 to 50 for details.



Body material

- Stainless steel
- Brass/Bronze^{*1}
- Aluminum

*1 The bronze body is only selectable for the pilot operated type.

Environmental resistance

Enclosure: IP67^{*2}

*2 IP65 for models with a DIN terminal

Direct Operated

JSX Series pp. 7, 9



New

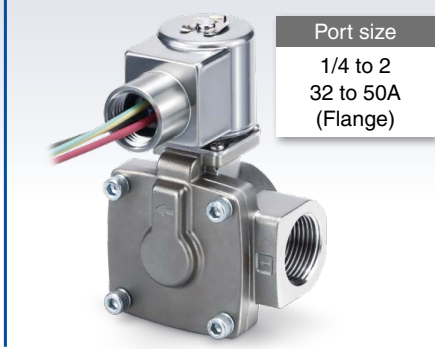
Direct Operated High Flow/ Power Saving Type

JSX□□U Series p. 11



Pilot Operated

JSXD Series p. 25



New

Zero Differential Pressure Type Pilot Operated

JSXZ Series p. 35



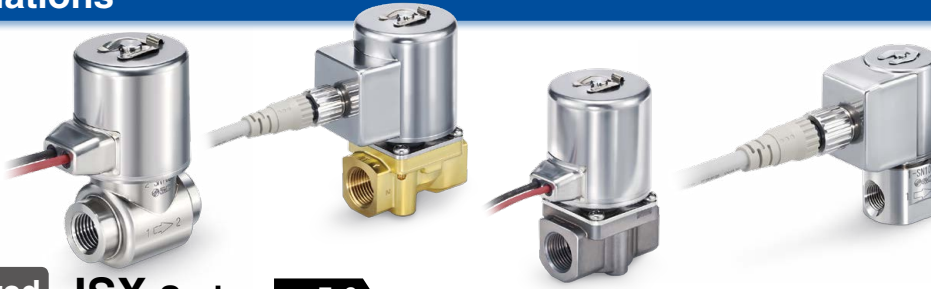
Direct Operated Modular Mounting Type

JSXM Series p. 39



JSX/JSX□ Series

Series Variations



Direct Operated JSX Series pp. 7, 9

| Model | Port size | Orifice diameter [mmø] | Flow rate*1 [L/min] | | | | Fluid | Body material | Valve type | Seal material | Electrical entry | Standards |
|---------------------|-----------|------------------------|--|----|----|----|---------------------|--------------------------------------|------------|--------------------|---|------------------|
| | | | 5 | 10 | 20 | 30 | | | | | | |
| JSX10 Series | 1/8 | 1.6 2.4 | 5 (For orifice diameter ø2.4) | | | | Air Water Oil | Stainless steel Brass Aluminum | N.C. | NBR FKM EPDM | Grommet DIN terminal Conduit M12 connector | |
| JSX20 Series | 1/8 | 3.2 | 15 (For orifice diameter ø5.6) | | | | | | | | | |
| | 1/4, 3/8 | 3.2, 4.0, 5.6, 7.1 | 15 (For orifice diameter ø5.6) | | | | | | | | | |
| JSX30 Series | 1/4, 3/8 | 4.0, 5.6, 7.1 | 25 (For orifice diameters ø4.0 and ø5.6) | | | | | | | | | |

*1 At the max. operating pressure differential (Fluid: Water)



Direct Operated High Flow/ Power Saving Type JSX□□U Series p. 11

| Model | Port size | Orifice diameter [mmø] | Flow rate*1 [L/min] | | | | Fluid | Body material | Valve type | Seal material | Electrical entry | Standards |
|----------------------|-----------|------------------------|--------------------------------|----|----|----|---------------------|--------------------------|------------|--------------------|---|-----------|
| | | | 5 | 10 | 20 | 30 | | | | | | |
| JSX10U Series | 1/8 | 2.4 | 7 | | | | Air Water Oil | Stainless steel Brass | N.C. | NBR FKM EPDM | Grommet DIN terminal Conduit M12 connector | |
| JSX20U Series | 1/4, 3/8 | 4.0 | 25 (For orifice diameter ø7.1) | | | | | | | | | |
| | | 7.1 | 25 (For orifice diameter ø7.1) | | | | | | | | | |
| JSX30U Series | 1/4, 3/8 | 7.1 | 35 | | | | | | | | | |

*1 At the max. operating pressure differential (Fluid: Water)



Direct Operated Modular Mounting Type JSXM Series p. 39

| Model | Port size | Orifice diameter [mmø] | Flow rate*1 [L/min] | | Fluid | Body material | Valve type | Seal material | Electrical entry | Standards |
|----------------------|------------------|------------------------|---------------------|------|-------|---------------|------------|---------------|---|-----------|
| | | | 500 | 1000 | | | | | | |
| JSXM20 Series | 1/8, 1/4 | 3.2 | 650 | | Air | Aluminum | N.C. | NBR FKM | Grommet DIN terminal Conduit M12 connector | |
| JSXM30 Series | 1/4, 3/8 | 4.0 | 1300 | | | | | | | |
| JSXM40 Series | 1/4, 3/8, 1/2 | 4.0 | 1300 | | | | | | | |

*1 At the max. operating pressure differential (Fluid: Air)

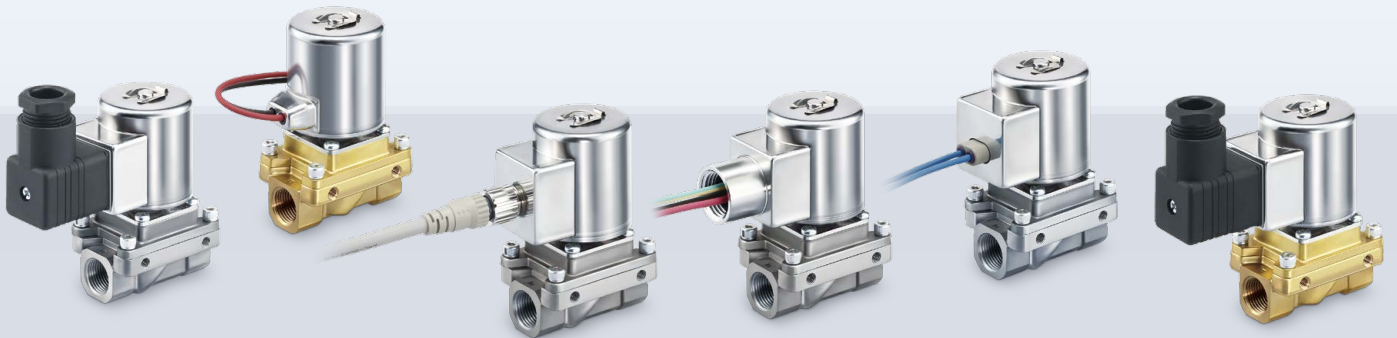
Series Variations



Pilot Operated JSXD Series p. 25

| Model | Port size | Orifice diameter [mmø] | Flow rate*1 [L/min] | | | Fluid | Body material | Valve type | Seal material | Electrical entry | Standards |
|----------------------|---------------|------------------------|---------------------|-----|------|---------------------|--|------------|--------------------|---|--|
| | | | 200 | 400 | 1000 | | | | | | |
| JSXD30 Series | 1/4, 3/8, 1/2 | 10 | 100 | | | Air Water Oil | Stainless steel Brass Bronze Aluminum | N.C. | NBR FKM EPDM | Grommet DIN terminal Conduit M12 connector | * Refer to pages 47 to 50 for details. |
| JSXD40 Series | 3/8, 1/2 | 15 | 200 | | | | | | | | |
| JSXD50 Series | 3/4 | 20 | 430 | | | | | | | | |
| JSXD60 Series | 1 | 25 | 580 | | | | | | | | |
| JSXD70 Series | 1 1/4, 32A | 35 | 1000 | | | | | | | | |
| JSXD80 Series | 1 1/2, 40A | 40 | 1400 | | | | | | | | |
| JSXD90 Series | 2, 50A | 50 | 2200 | | | | | | | | |

*1 At the max. operating pressure differential (Fluid: Water)



Zero Differential Pressure Type Pilot Operated JSXZ Series p. 35

| Model | Port size | Orifice diameter [mmø] | Flow rate*1 [L/min] | | | Fluid | Body material | Valve type | Seal material | Electrical entry | Standards |
|----------------------|-----------|------------------------|---------------------|-----|------|---------------------|--------------------------------------|------------|--------------------|---|-----------|
| | | | 200 | 400 | 1000 | | | | | | |
| JSXZ30 Series | 1/4, 3/8 | 10 | 100 | | | Air Water Oil | Stainless steel Brass Aluminum | N.C. | NBR FKM EPDM | Grommet DIN terminal Conduit M12 connector | |
| JSXZ40 Series | 1/2 | 15 | 200 | | | | | | | | |
| JSXZ50 Series | 3/4 | 20 | 400 | | | | | | | | |
| JSXZ60 Series | 1 | 25 | 460 | | | | | | | | |

*1 At the max. operating pressure differential (Fluid: Water)

Space saving

Compact

Valve volume: **25% reduction** *1

Lightweight

Weight: **30% reduction** *1

*1 Compared with the existing model

Energy saving *3

Coil force: **10% increase**
(Compared with the existing model)

Power consumption: **14% reduction**
(Compared with the existing model)

The coil attraction force has been improved by 10% and the power consumption has been reduced by 14% for optimal magnetic efficiency.

Stopper construction

Metal noise reduced by the resin stopper
Longer service life

Improved armature durability

IP67 enclosure

* IP65 for models with a DIN terminal

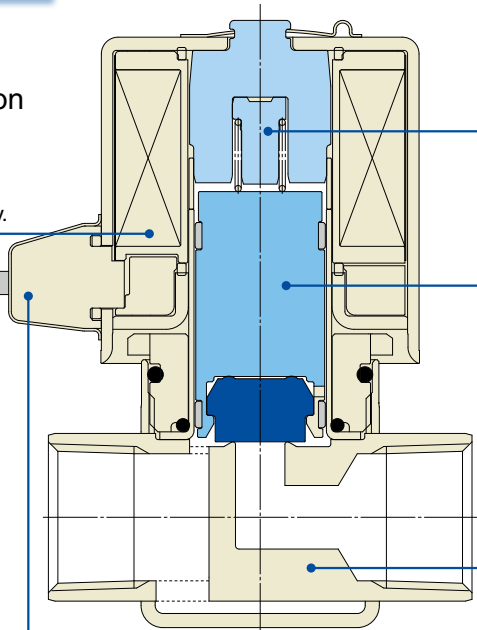
Choice of body material

- Stainless steel · Brass/Bronze*2
- Aluminum





*2 The bronze body is only selectable for the pilot operated type.

360° lead wire insertion and removal is possible.

As the coil rotates 360°, the lead wire is easy to handle.

Power consumption * For DC voltages

| Model | Size | 10 | 20 | 30 | 40 | 50 | 60 | 70 | 80 | 90 |
|---|--|-----|-----|-----|----|----|----|----|----|----|
| Direct Operated 2-Port Solenoid Valve JSX Series  | | 4 | 6 | 8 | — | — | — | — | — | — |
| | Direct Operated 2-Port Solenoid Valve High Flow/ Power Saving Type JSX□□U Series  | 2*1 | 3*1 | 3*1 | — | — | — | — | — | — |
| Pilot Operated 2-Port Solenoid Valve JSXD Series  | | — | — | 6 | 6 | 6 | 8 | 8 | 8 | 8 |
| | Zero Differential Pressure Type Pilot Operated 2-Port Solenoid Valve JSXZ Series  | — | — | 8 | 8 | 13 | 13 | — | — | — |
| Modular Mounting Type 2-Port Solenoid Valve JSXM Series  | — | 6 | 8 | 8 | — | — | — | — | — | |

*1 When holding in an energized state

Full-wave rectifier type

- Improved durability

Extended service life due to the special construction (Compared with the existing shading coil)
- Reduced buzzing noise

Due to being rectified to DC by the full-wave rectifier
- Reduced apparent power

* Class B, N.C. valve (Compared with the existing model)

9.5 VA → **8 VA** (JSX20/JSXD60, 70 Series)

12 VA → **9.5 VA** (JSX30/JSXD80, 90 Series)

- Improved OFF response

Specially constructed to improve the OFF response when operated with high viscosity fluids such as oil
- Low-noise construction

Specially constructed to reduce metal noise during operation

High Flow/ Power Saving Type

2-Port Solenoid Valve JSX□□U Series p. 11

Flow rate increasable by up to 86%*1

*1 Operating pressure: 0.9 MPa

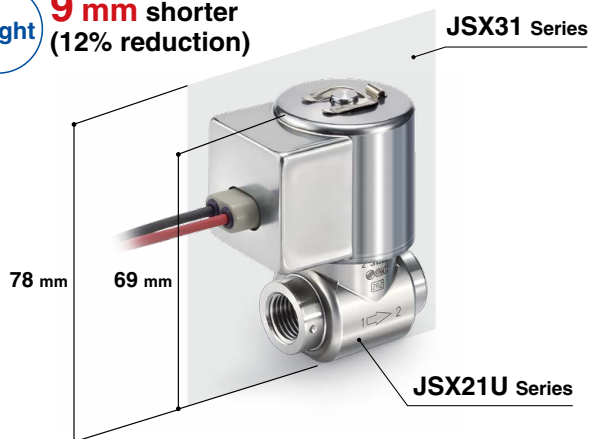
| | Orifice diameter [mmø] | Flow rate [L/min] | |
|--|------------------------|-------------------|--------------|
| | | 5 | 10 |
| High Flow/ Power Saving Type JSX11U Series | 2.4 | 6.5 | 86% increase |
| JSX11 Series | 1.6 | 3.5 | |

Reduced valve size*1

*1 Max. flow rate: 23.9 L/min, Orifice diameter: ø4 mm, Max. operating pressure differential: 1.0 MPa

JSX21U Series ← JSX31 Series

Height 9 mm shorter (12% reduction)

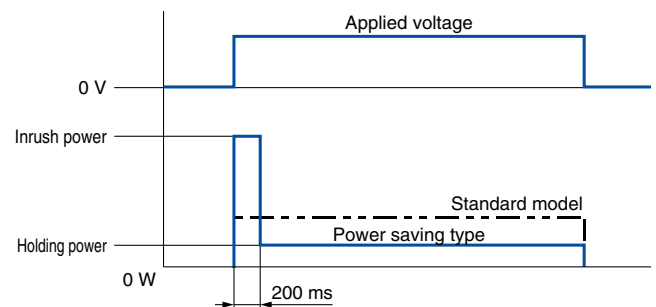


Weight 110 g lighter (24% reduction)

| | Height [mm] | Weight [g] |
|---------------|-------------|------------|
| JSX21U Series | 69 | 340 |
| JSX31 Series | 78 | 450 |

Substantial holding power consumption reduction

The overall power consumption amount can be reduced by up to 63% by reducing the power consumption during holding.



* Effective after being energized for more than 200 ms

| Power Consumption (Holding) [W] | Size 10 | Size 20 | Size 30 |
|---------------------------------|---------|---------|---------|
| JSX□□U Series | 2 | 3 | 3 |
| JSX□□ Series | 4 | 6 | 8 |

Electrical entry



Grommet with PCB



Conduit



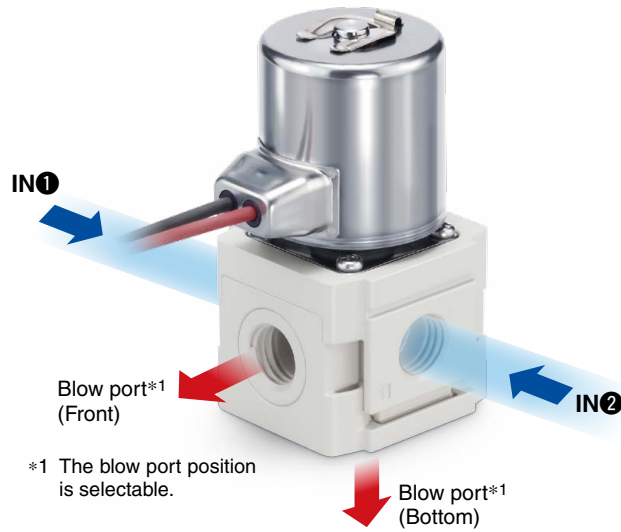
DIN terminal



M12 connector

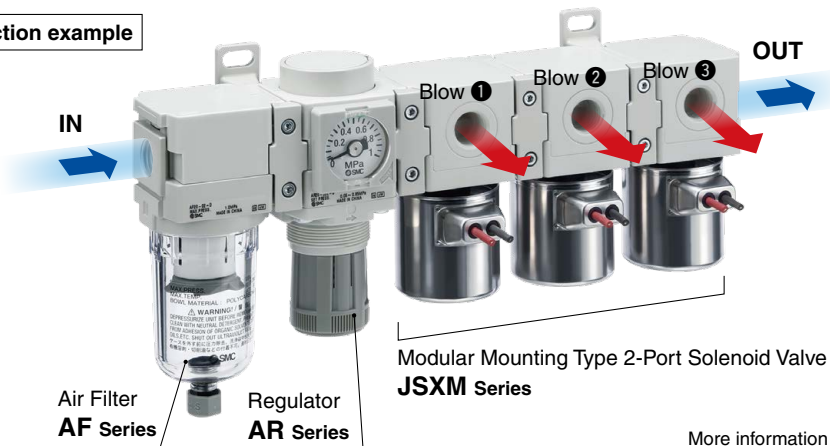
Modular Mounting Type 2-Port Solenoid Valve JSXM Series p. 39

| | | |
|-----------|---|---|
| Coil: OFF | | |
| IN1 | ↔ | IN2 |
| Coil: ON | | |
| IN1/IN2 | → | Blow port Front or bottom (Selectable) |



Can be connected to modular type F.R.L. units

Connection example



Modular Mounting Type 2-Port Solenoid Valve JSXM Series



More information on F.R.L. units can be viewed here.



Simple Specials System

A system designed to respond quickly and easily to your special ordering needs

For modular connection units (shipped assembled), the simple specials system can be used.

Short lead times

This system enables us to respond to your special needs (additional machining, accessory assembly, or the designing of a modular unit) and deliver your personalized products as quickly as standard products.

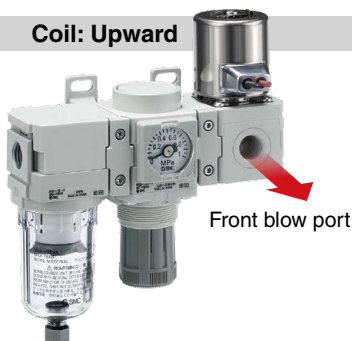
Repeat orders

Once we receive a simple special part number from one of your previous orders, we will process the order, manufacture the product, and deliver it to you as quickly as possible.

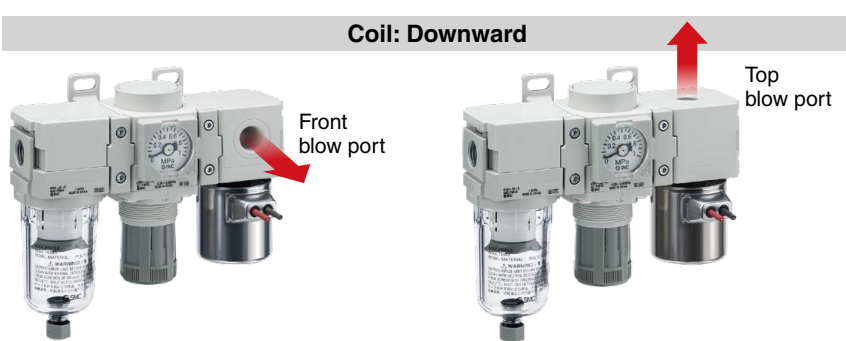
Please contact your local sales representative for more details.

The coil orientation and blow port position can be selected.

Coil: Upward



Coil: Downward



CONTENTS



Direct Operated 2-Port Solenoid Valve JSX Series

p. 7

For **Water** **Air** **Oil** **Body Material** **Stainless Steel, Brass**

How to Order, Flow Rate Characteristics,
Applicable Fluid Checklist p. 7
Construction, Common Specifications p. 8

For **Air** **Body Material** **Aluminum**

How to Order, Flow Rate Characteristics p. 9
Construction, Common Specifications p. 10
Dimensions

JSX10 **Port Size** 1/8 **Body Material** **Stainless Steel, Brass** p. 13
JSX20 **Port Size** 1/8 **Body Material** **Stainless Steel** p. 15
JSX20, 30 **Port Size** 1/4, 3/8 **Body Material** **Stainless Steel** p. 17
JSX20, 30 **Port Size** 1/8, 1/4, 3/8 **Body Material** **Brass** p. 19
JSX20, 30 **Port Size** 1/8, 1/4, 3/8 **Body Material** **Aluminum** p. 21
Bracket Options p. 23



High Flow/ Power Saving Type

Direct Operated 2-Port Solenoid Valve JSX□□U Series

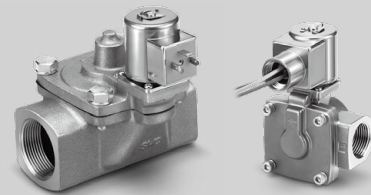
p. 11

For **Water** **Air** **Oil** **Body Material** **Stainless Steel, Brass**

How to Order, Flow Rate Characteristics,
Applicable Fluid Checklist p. 11
Construction, Common Specifications p. 12

Dimensions

JSX10U **Port Size** 1/8 **Body Material** **Stainless Steel, Brass** p. 13
JSX20U **Port Size** 1/8 **Body Material** **Stainless Steel** p. 15
JSX20U, 30U **Port Size** 1/4, 3/8 **Body Material** **Stainless Steel** p. 17
JSX20U, 30U **Port Size** 1/8, 1/4, 3/8 **Body Material** **Brass** p. 19
JSX20U, 30U **Port Size** 1/8, 1/4, 3/8 **Body Material** **Aluminum** p. 21
Bracket Options p. 23



Pilot Operated 2-Port Solenoid Valve JSXD Series

p. 25

How to Order p. 25
Flow Rate Characteristics, Applicable Fluid Checklist,
Common Specifications p. 26
Construction p. 27
Dimensions

JSXD30 **Port Size** 1/4, 3/8, 1/2 **Body Material** **Aluminum, Brass, Stainless Steel** p. 29
JSXD40 **Port Size** 3/8, 1/2 **Body Material** **Brass, Stainless Steel** p. 31
JSXD50, 60 **Port Size** 3/4, 1 **Body Material** **Brass, Stainless Steel** p. 32
JSXD70, 80, 90 **Port Size** 1 1/4, 1 1/2, 2 **Body Material** **Bronze** p. 33
JSXD70, 80, 90 **Applicable Flange** 32A, 40A, 50A
Body Material **Bronze** p. 34



Zero Differential Pressure Type Pilot Operated 2-Port Solenoid Valve JSXZ Series

p. 35

How to Order, Flow Rate Characteristics,
Applicable Fluid Checklist p. 35
Construction, Common Specifications p. 36
Working Principle p. 37
Dimensions

JSXZ30 **Port Size** 1/4, 3/8 **Body Material** **Stainless Steel, Brass, Aluminum** p. 38
JSXZ40, 50, 60 **Port Size** 1/2, 3/4, 1
Body Material **Stainless Steel, Brass** p. 38



Modular Mounting Type 2-Port Solenoid Valve JSXM Series

p. 39

How to Order p. 39
Flow Rate Characteristics, Common Specifications p. 40
Construction p. 41
Dimensions p. 42
Modular Connection Examples p. 44
Spacer / Spacer with Bracket p. 45

Table of UL-compliant Products (**JSX Series**) p. 46
Table of UL-compliant Products (**JSXD Series**) p. 47
Option: Cable for M12 Connector p. 51
Replacement Parts p. 52

Glossary of Terms p. 53
Solenoid Valve Flow Rate Characteristics p. 54
Flow Rate Characteristics (**JSXD Series**) p. 59
Specific Product Precautions p. 61

JSX Series

JSXD Series

JSXZ Series

JSXM Series

Table of UL-compliant Products

Option

Replacement Parts

Glossary of Terms

Flow Rate Characteristics

Specific Product Precautions

For **Water**

Air

Oil

Direct Operated 2-Port Solenoid Valve

JSX Series

| | | | | |
|------------------------|--------------|------------------------|---------------------------------|--------------|
| Stainless Steel | Brass | Aluminum | Stainless Steel | Brass |
| Normally Closed (N.C.) | | Normally Closed (N.C.) | High Flow/ Power Saving Type | |
| ▶ p. 7 | | ▶ p. 9 | ▶ p. 11 | |



Differs depending on the voltage and electrical entry. For details, refer to table 8 below.



Refer to page 46 for details.



How to Order

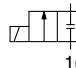
JSX **2** **1** - **S** **N** **302** **R** - **5** **G** - **B**

① ② ③ ④ ⑤ ⑥ ⑦ ⑧ ⑨

① Size

| Symbol | Size |
|----------|------|
| 1 | 10 |
| 2 | 20 |
| 3 | 30 |

② Valve type

| Symbol | Valve type |
|----------|--|
| 1 | N.C.  |

③ Body material

| Symbol | Body material |
|----------|-----------------|
| S | Stainless steel |
| C | Brass |

⑧ Electrical entry

| Symbol | Electrical entry | Size | | | CE/UKCA-compliant | UL Standards |
|-----------|---|------|----|----|---|-------------------|
| | | 10 | 20 | 30 | | |
| G | Grommet*1 | ● | ● | ● | 24 VDC 12 VDC | Refer to page 46. |
| GS | Grommet with PCB (With surge voltage suppressor) | ● | ● | ● | 100 VAC 24 VDC 12 VDC 48 VAC 24 VAC | |
| CS | Conduit (With surge voltage suppressor) | — | ● | ● | All voltages | |
| DS | DIN terminal (With surge voltage suppressor) | ● | ● | ● | All voltages | |
| DZ | DIN terminal with light (With surge voltage suppressor) | ● | ● | ● | All voltages | |
| DN | DIN terminal without connector (With surge voltage suppressor) | ● | ● | ● | All voltages | |
| WN | M12 connector/Without connector cable (With surge voltage suppressor)*2 | ● | ● | ● | All voltages | |

④ Seal material

| Symbol | Seal material |
|----------|---------------|
| N | NBR |
| F | FKM |
| E | EPDM |

⑤ Orifice diameter and port size

| Symbol | Orifice diameter [mmø] | Port size | Size | | |
|------------|------------------------|-----------|------|----|----|
| | | | 10 | 20 | 30 |
| 101 | 1.6 | 1/8 | ● | — | — |
| 201 | 2.4 | 1/8 | ● | — | — |
| 301 | 3.2 | 1/8 | — | ● | — |
| 302 | | 1/4 | — | ● | — |
| 303 | 4.0 | 3/8 | — | ● | — |
| 402 | | 1/4 | — | ● | ● |
| 403 | 5.6 | 3/8 | — | ● | ● |
| 502 | | 1/4 | — | ● | ● |
| 503 | 7.1 | 3/8 | — | ● | ● |
| 702 | | 1/4 | — | ● | ● |
| 703 | 7.1 | 3/8 | — | ● | ● |

⑥ Thread type

| Symbol | Thread type |
|----------|-------------|
| R | Rc |
| N | NPT |
| F | G |

⑦ Rated voltage

| AC | | | | DC | | | |
|----------|---------------|----------|---------------|----------|---------------|----------|---------------|
| Symbol | Rated voltage | Symbol | Rated voltage | Symbol | Rated voltage | Symbol | Rated voltage |
| 1 | 100 VAC | 7 | 240 VAC | 5 | 24 VDC | 6 | 12 VDC |
| 2 | 200 VAC | 8 | 48 VAC | | | | |
| 3 | 120 (110) VAC | B | 24 VAC | | | | |
| 4 | 220 VAC | J | 230 VAC | | | | |

⑨ Option

| Symbol | Option |
|------------|----------------------------------|
| Nil | None |
| B | With bracket*1 (Stainless steel) |

*1 Refer to page 63 for bracket assembly part nos.

*1 DC voltage only

*2 A cable for the M12 connector is not included with the product. Refer to the "Option" on page 51 to order it separately.

Flow Rate Characteristics

| Size | Port size | Orifice diameter [mmø] | Flow rate characteristics*1 | | | | | | Max. operating pressure differential [MPa] | Model | Weight*2 [g] | |
|------|-----------|------------------------|------------------------------|------|------|------------|---------------|-----|--|-------|------------------------|------------|
| | | | Air | | | Water, Oil | | | | | Stainless steel body*3 | Brass body |
| | | | C [dm ³ /(s·bar)] | b | Cv | Kv | Conversion Cv | | | | | |
| 10 | 1/8 | 1.6 | 0.36 | 0.58 | 0.08 | 0.07 | 0.08 | 0.9 | JSX11- $\frac{1}{8}$ -□101 | 160 | 160 | |
| | | 2.4 | 0.62 | 0.45 | 0.15 | 0.13 | 0.15 | 0.4 | JSX11- $\frac{1}{8}$ -□201 | 160 | 160 | |
| 20 | 1/8 | 3.2 | 1.35 | 0.48 | 0.35 | 0.30 | 0.35 | 0.7 | JSX21- $\frac{1}{8}$ -□301 | 320 | 330 | |
| | | 3.2 | 1.35 | 0.48 | 0.35 | 0.30 | 0.35 | 0.7 | JSX21- $\frac{1}{8}$ -□302 | 320 | 330 | |
| | 1/4 | 4.0 | 2.02 | 0.48 | 0.52 | 0.45 | 0.52 | 0.3 | JSX21- $\frac{1}{4}$ -□402 | 320 | 330 | |
| | | 5.6 | 2.62 | 0.43 | 0.73 | 0.63 | 0.73 | 0.2 | JSX21- $\frac{1}{4}$ -□502 | 320 | 330 | |
| | | 7.1 | 3.15 | 0.44 | 0.88 | 0.76 | 0.88 | 0.1 | JSX21- $\frac{1}{4}$ -□702 | 320 | 330 | |
| | | 3.2 | 1.35 | 0.48 | 0.35 | 0.30 | 0.35 | 0.7 | JSX21- $\frac{1}{4}$ -□303 | 320 | 360 | |
| | 3/8 | 4.0 | 2.02 | 0.48 | 0.52 | 0.45 | 0.52 | 0.3 | JSX21- $\frac{3}{8}$ -□403 | 320 | 360 | |
| | | 5.6 | 2.62 | 0.43 | 0.73 | 0.63 | 0.73 | 0.2 | JSX21- $\frac{3}{8}$ -□503 | 320 | 360 | |
| 30 | 1/4 | 7.1 | 3.15 | 0.44 | 0.88 | 0.76 | 0.88 | 0.1 | JSX21- $\frac{3}{8}$ -□703 | 320 | 360 | |
| | | 4.0 | 2.02 | 0.48 | 0.52 | 0.45 | 0.52 | 1.0 | JSX31- $\frac{1}{4}$ -□402 | 450 | 490 | |
| | 3/8 | 5.6 | 2.62 | 0.43 | 0.73 | 0.63 | 0.73 | 0.5 | JSX31- $\frac{1}{4}$ -□502 | 450 | 490 | |
| | | 7.1 | 3.15 | 0.44 | 0.88 | 0.76 | 0.88 | 0.2 | JSX31- $\frac{1}{4}$ -□702 | 450 | 490 | |
| | 3/8 | 4.0 | 2.02 | 0.48 | 0.52 | 0.45 | 0.52 | 1.0 | JSX31- $\frac{3}{8}$ -□403 | 450 | 520 | |
| | | 5.6 | 2.62 | 0.43 | 0.73 | 0.63 | 0.73 | 0.5 | JSX31- $\frac{3}{8}$ -□503 | 450 | 520 | |
| | | 7.1 | 3.15 | 0.44 | 0.88 | 0.76 | 0.88 | 0.2 | JSX31- $\frac{3}{8}$ -□703 | 450 | 520 | |

*1 The flow rate characteristics of this product vary.

*2 The values were calculated based on the combination of an Rc or NPT thread and a grommet. Add 20 g for the grommet type with PCB, 70 g for the conduit type, 50 g for the DIN terminal type, and 15 g for the M12 connector type.

*3 Add 30 g for the G thread (port size 3/8) type.

Applicable Fluid Checklist

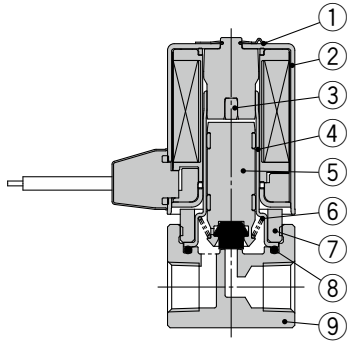
| Applicable fluid | Seal material | | |
|------------------|---------------|-----|------|
| | NBR | FKM | EPDM |
| Air | ● | ● | ● |
| Water | ● | ● | ● |
| Oil | — | ● | — |

* The list shows the compatibility between general fluids and the seal materials. Consider the operating environment and application sufficiently before selecting the seal material. Fluid and component compatibility should be checked before use. If something is not clear, please contact SMC.

Construction

JSX10

Body material: Stainless steel, Brass

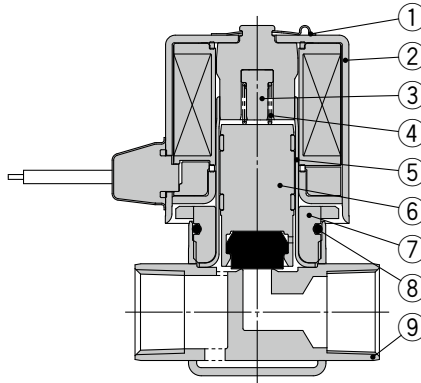


Component Parts

| No. | Description | Material |
|-----|-------------------|---------------------------------------|
| 1 | Clip | Stainless steel |
| 2 | Solenoid coil | Stainless steel, Cu, Resin |
| 3 | Stopper | PPS |
| 4 | Tube assembly | Stainless steel |
| 5 | Armature assembly | Stainless steel, PPS, NBR (FKM, EPDM) |
| 6 | Spring | Stainless steel |
| 7 | Set nut | Stainless steel |
| 8 | Gasket | NBR, (FKM, EPDM) |
| 9 | Body | Stainless steel Brass |

JSX20, 30

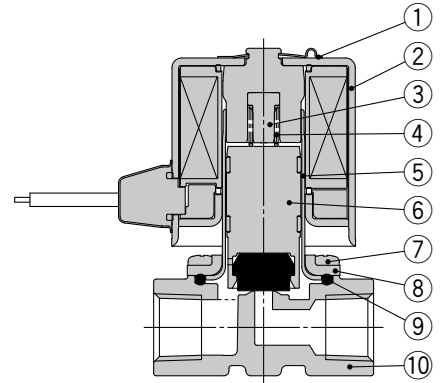
Body material: Stainless steel



Component Parts

| No. | Description | Material |
|-----|-------------------|---------------------------------------|
| 1 | Clip | Stainless steel |
| 2 | Solenoid coil | Stainless steel, Cu, Resin |
| 3 | Stopper | PPS |
| 4 | Spring | Stainless steel |
| 5 | Tube assembly | Stainless steel |
| 6 | Armature assembly | Stainless steel, PPS, NBR (FKM, EPDM) |
| 7 | Nut | Stainless steel |
| 8 | Gasket | NBR (FKM, EPDM) |
| 9 | Body | Stainless steel |

Body material: Brass



Component Parts

| No. | Description | Material |
|-----|-------------------|---------------------------------------|
| 1 | Clip | Stainless steel |
| 2 | Solenoid coil | Stainless steel, Cu, Resin |
| 3 | Stopper | PPS |
| 4 | Spring | Stainless steel |
| 5 | Tube assembly | Stainless steel |
| 6 | Armature assembly | Stainless steel, PPS, NBR (FKM, EPDM) |
| 7 | Mounting screw | Fe |
| 8 | Bonnet | Stainless steel |
| 9 | Gasket | NBR (FKM, EPDM) |
| 10 | Body | Brass |

Common Specifications

| Size | | 10 | 20 | 30 | |
|---------------------------------|---|---|---|------|--------|
| Valve specifications | Valve construction | Direct operated poppet | | | |
| | Valve type | Normally closed (N.C.) | | | |
| | Fluid and fluid temperature | Air: -10 to 60°C (Dew point temperature: -10°C or less) Water: 1 to 60°C (No freezing) Oil: -5 to 60°C (Kinematic viscosity: 50 mm ² /s or less) | | | |
| | Withstand pressure | 2.0 MPa | | | |
| | Max. system pressure | 1.0 MPa | | | |
| | Ambient temperature | -20 to 60°C | | | |
| | Valve leakage* ¹ / External leakage* ¹ | Air | 1 cm ³ /min (ANR) or less | | |
| | | Water, Oil | 0.1 cm ³ /min or less | | |
| | Mounting orientation | Unrestricted | | | |
| | Enclosure* ² | IP67 (IP65 for the DIN terminal) | | | |
| | Standards* ³ | CE/UKCA, UL Recognized, UL Listed | | | |
| | Operating environment | Location without the presence of corrosive gases, explosive gases, or constant water adhesion | | | |
| Body material | Stainless steel, Brass | | | | |
| Seal material | NBR, FKM, EPDM | | | | |
| Coil specifications | Rated voltage | AC | 24 V, 48 V, 100 V, 110 V, 120 V, 200 V, 220 V, 230 V, 240 V | | |
| | | DC | 12 V, 24 V | | |
| | Allowable voltage fluctuation | ±10% of the rated voltage | | | |
| | Allowable leakage voltage | AC | 5% or less of the rated voltage | | |
| | | DC | 2% or less of the rated voltage | | |
| | Apparent power* ⁴ , * ⁵ | AC | 4.5 VA | 8 VA | 9.5 VA |
| Power consumption* ⁴ | DC | 4 W | 6 W | 8 W | |
| Temperature rise* ⁶ | AC/DC | 70/65°C | | | |

*1 Leakage: The value at a differential pressure of 0.01 MPa or higher and an ambient temperature of 20°C

*2 This product has an IP67 enclosure, but if water enters the product, it may result in malfunction or breakage.

Therefore, take appropriate measures to prevent water from entering the product when using in an environment where it is constantly exposed to water.

*3 Standards compliance varies depending on the model. For details, refer to pages 7 and 46.

*4 Power consumption/Apparent power: The value at an ambient temperature of 20°C and when the rated voltage is applied (Variation: ±10%)

*5 There is no difference in the frequency and the inrush and energized apparent power, since a rectifying circuit is used in the AC.

*6 Temperature rise: The value at an ambient temperature of 20°C and when the rated voltage is applied. Use this value as a reference as the actual value varies depending on the ambient environment.

Be sure to read the "Specific Product Precautions" before handling the product.

Direct Operated 2-Port Solenoid Valve

JSX Series

For **Air**

| | | | | |
|--|--|---|---|------------------|
| Stainless Steel Normally Closed (N.C.) ▶ p. 7 | Brass Normally Closed (N.C.) ▶ p. 9 | Aluminum Normally Closed (N.C.) ▶ p. 9 | Stainless Steel High Flow/ Power Saving Type ▶ p. 11 | Brass ▶ p. 11 |
|--|--|---|---|------------------|



Differs depending on the voltage and electrical entry. For details, refer to table 8 below.

RoHS

How to Order

JSX **2** **1** - **A** **N** **302** **R** - **5** **G** - **B**

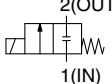
① ② ③ ④ ⑤ ⑥ ⑦ ⑧ ⑨



① Size

| Symbol | Size |
|--------|------|
| 2 | 20 |
| 3 | 30 |

② Valve type

| Symbol | Valve type |
|--------|--|
| 1 | N.C.  |

③ Body material

| Symbol | Body material |
|--------|---------------|
| A | Aluminum |

④ Seal material

| Symbol | Seal material |
|--------|---------------|
| N | NBR |
| F | FKM |

⑤ Orifice diameter and port size

| Symbol | Orifice diameter [mmø] | Port size | Size | |
|--------|------------------------|-----------|---------------------|---------------------|
| | | | 20 Aluminum body | 30 Aluminum body |
| 301 | 3 | 1/8 | ● | — |
| 302 | | 1/4 | ● | — |
| 402 | 4 | 1/4 | — | ● |
| 403 | | 3/8 | — | ● |
| 501 | 5 | 1/8 | ● | — |
| 502 | | 1/4 | ● | — |
| 702 | 7 | 1/4 | — | ● |
| 703 | | 3/8 | — | ● |

⑥ Thread type

| Symbol | Thread type |
|--------|-------------|
| R | Rc |
| N | NPT |
| F | G |

⑦ Rated voltage


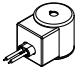


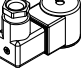


| AC | | | | DC | |
|--------|---------------|--------|---------------|--------|---------------|
| Symbol | Rated voltage | Symbol | Rated voltage | Symbol | Rated voltage |
| 1 | 100 VAC | 7 | 240 VAC | 5 | 24 VDC |
| 2 | 200 VAC | 8 | 48 VAC | 6 | 12 VDC |
| 3 | 120 (110) VAC | B | 24 VAC | | |
| 4 | 220 VAC | J | 230 VAC | | |

⑧ Option

| Symbol | Option |
|--------|----------------|
| Nil | None |
| B | With bracket*1 |

*1 Refer to page 63 for bracket assembly part nos.

⑧ Electrical entry

| Symbol | Electrical entry | Image | Size | | CE/UKCA-compliant |
|--------|---|---|------|----|-------------------|
| | | | 20 | 30 | |
| G | Grommet*1 |  | ● | ● | 24 VDC |
| | | | | | 12 VDC |
| GS | Grommet with PCB (With surge voltage suppressor) |  | ● | ● | 100 VAC |
| | | | | | 24 VDC |
| | | | | | 12 VDC |
| | | | | | 48 VAC |
| | | | | | 24 VAC |
| CS | Conduit (With surge voltage suppressor) |  | ● | ● | All voltages |
| | | | | | |
| DS | DIN terminal (With surge voltage suppressor) |  | ● | ● | All voltages |
| | | | | | |
| DZ | DIN terminal with light (With surge voltage suppressor) |  | ● | ● | All voltages |
| | | | | | |
| DN | DIN terminal without connector (With surge voltage suppressor) |  | ● | ● | All voltages |
| | | | | | |
| WN | M12 connector/Without connector cable (With surge voltage suppressor)*2 |  | ● | ● | All voltages |
| | | | | | |

*1 DC voltage only

*2 A cable for the M12 connector is not included with the product. Refer to the "Option" on page 51 to order it separately.

Flow Rate Characteristics

Aluminum Body Type

| Size | Port size | Orifice diameter [mmø] | Flow rate characteristics*1 | | | Max. operating pressure differential [MPa] | Model | Weight*2 [g] |
|------|-----------|------------------------|------------------------------|------|------|--|-------------|--------------|
| | | | C [dm ³ /(s·bar)] | b | Cv | | | |
| 20 | 1/8, 1/4 | 3 | 1.41 | 0.54 | 0.35 | 0.7 | JSX21-A□30□ | 240 |
| | | 5 | 1.66 | 0.54 | 0.52 | 0.2 | JSX21-A□50□ | 240 |
| 30 | 1/4, 3/8 | 4 | 1.57 | 0.59 | 0.52 | 1.0 | JSX31-A□40□ | 400 |
| | | 7 | 3.02 | 0.53 | 0.88 | 0.2 | JSX31-A□70□ | 400 |

*1 The flow rate characteristics of this product vary.

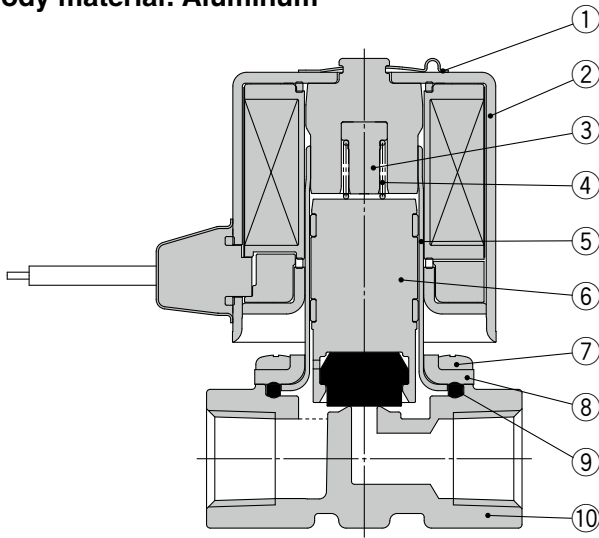
*2 Indicates case of grommet type

Add 20 g for the grommet type with PCB, 70 g for the conduit type, 50 g for the DIN terminal type, and 15 g for the M12 connector type.

Construction

JSX20, 30

Body material: Aluminum



Component Parts

| No. | Description | Material |
|-----|-------------------|----------------------------------|
| 1 | Clip | Stainless steel |
| 2 | Solenoid coil | Stainless steel, Cu, Resin |
| 3 | Stopper | PPS |
| 4 | Spring | Stainless steel |
| 5 | Tube assembly | Stainless steel |
| 6 | Armature assembly | Stainless steel, PPS, NBR, (FKM) |
| 7 | Mounting screw | Fe |
| 8 | Bonnet | Stainless steel |
| 9 | Gasket | NBR, (FKM) |
| 10 | Body | Aluminum |

Common Specifications

| Size | | 10 | 20 | 30 |
|---------------------------------|---|---|---|------|
| Valve specifications | Valve construction | Direct operated poppet | | |
| | Valve type | Normally closed (N.C.) | | |
| | Fluid and fluid temperature | Air: -10 to 60°C (Dew point temperature: -10°C or less) | | |
| | Withstand pressure | 2.0 MPa | | |
| | Max. system pressure | 1.0 MPa | | |
| | Ambient temperature | -20 to 60°C | | |
| | Valve leakage* ¹ /External leakage* ¹ | Air | 1 cm ³ /min (ANR) or less | |
| | Mounting orientation | Unrestricted | | |
| | Enclosure* ² | IP67 (IP65 for the DIN terminal) | | |
| | Standards* ³ | CE/UKCA | | |
| | Operating environment | Location without the presence of corrosive gases, explosive gases, or constant water adhesion | | |
| Body material | Aluminum | | | |
| Seal material | NBR, FKM | | | |
| Coil specifications | Rated voltage | AC | 24 V, 48 V, 100 V, 110 V, 120 V, 200 V, 220 V, 230 V, 240 V | |
| | | DC | 12 V, 24 V | |
| | Allowable voltage fluctuation | ±10% of the rated voltage | | |
| | Allowable leakage voltage | AC | 5% or less of the rated voltage | |
| | | DC | 2% or less of the rated voltage | |
| | Apparent power* ⁴ , * ⁵ | AC | 4.5 VA | 8 VA |
| Power consumption* ⁴ | DC | 4 W | 6 W | 8 W |
| Temperature rise* ⁶ | AC/DC | 70/65°C | | |

*1 Leakage: The value at a differential pressure of 0.01 MPa or higher and an ambient temperature of 20°C

*2 This product has an IP67 enclosure, but if water enters the product, it may result in malfunction or breakage.

Therefore, take appropriate measures to prevent water from entering the product when using in an environment where it is constantly exposed to water.

*3 Standards compliance varies depending on the model. For details, refer to page 9.

*4 Power consumption/Apparent power: The value at an ambient temperature of 20°C and when the rated voltage is applied (Variation: ±10%)

*5 There is no difference in the frequency and the inrush and energized apparent power, since a rectifying circuit is used in the AC.

*6 Temperature rise: The value at an ambient temperature of 20°C and when the rated voltage is applied. Use this value as a reference as the actual value varies depending on the ambient environment.

Be sure to read the "Specific Product Precautions" before handling the product.

High Flow/ Power Saving Type

For **Water**

Air

Oil

Direct Operated 2-Port Solenoid Valve



Differs depending on the voltage and electrical entry. For details, refer to table 8 below.

JSX □ □ U Series

| | | | | |
|------------------------|--------------|------------------------|------------------------------|--------------|
| Stainless Steel | Brass | Aluminum | Stainless Steel | Brass |
| Normally Closed (N.C.) | | Normally Closed (N.C.) | High Flow/ Power Saving Type | |
| ▶ p. 7 | | ▶ p. 9 | ▶ p. 11 | |

The dimensions are the same as those of the standard JSX series model. Refer to pages 13 to 24 for details.

RoHS

How to Order

JSX **2** **1** **U** - **S** **N** **403** **R** - **5** **GS** - **B**

① ② ③ ④ ⑤ ⑥ ⑦ ⑧ ⑨

U High flow type

① Size

| Symbol | Size |
|----------|------|
| 1 | 10 |
| 2 | 20 |
| 3 | 30 |

② Valve type

| Symbol | Valve type |
|----------|------------|
| 1 | N.C. |

③ Body material

| Symbol | Body material |
|----------|-----------------|
| S | Stainless steel |
| C | Brass |

⑧ Electrical entry

| Symbol | Electrical entry | Size | | | CE/UKCA-compliant |
|-----------|---|------|----|----|-------------------|
| | | 10 | 20 | 30 | |
| GS | Grommet with PCB (With surge voltage suppressor) | ● | ● | ● | 24 VDC 12 VDC |
| CS | Conduit (With surge voltage suppressor) | — | ● | ● | |
| DS | DIN terminal (With surge voltage suppressor) | ● | ● | ● | |
| DZ | DIN terminal with light (With surge voltage suppressor) | ● | ● | ● | |
| DN | DIN terminal without connector (With surge voltage suppressor) | ● | ● | ● | |
| WN | M12 connector/Without connector cable*1 (With surge voltage suppressor) | ● | ● | ● | |

④ Seal material

| Symbol | Seal material |
|----------|---------------|
| N | NBR |
| F | FKM |
| E | EPDM |

⑤ Orifice diameter and port size

| Symbol | Orifice diameter [mmø] | Port size | Size | | |
|------------|------------------------|-----------|------|----|----|
| | | | 10 | 20 | 30 |
| 201 | 2.4 | 1/8 | ● | — | — |
| 402 | 4.0 | 1/4 | — | ● | — |
| 403 | | 3/8 | — | ● | — |
| 702 | 7.1 | 1/4 | — | ● | ● |
| 703 | | 3/8 | — | ● | ● |

⑥ Thread type

| Symbol | Thread type |
|----------|-------------|
| R | Rc |
| N | NPT |
| F | G |

⑦ Rated voltage

| Symbol | Rated voltage |
|----------|---------------|
| 5 | 24 VDC |
| 6 | 12 VDC |

⑨ Option

| Symbol | Option |
|------------|----------------------------------|
| Nil | None |
| B | With bracket*1 (Stainless steel) |

*1 Refer to page 63 for bracket assembly part nos.

*1 A cable for the M12 connector is not included with the product.

Refer to the "Option" on page 51 to order it separately.

* A grommet type is not available.

* Not in compliance with UL standards

Flow Rate Characteristics

| Size | Port size | Orifice diameter [mmø] | Flow rate characteristics*1 | | | | | | Max. operating pressure differential [MPa] | Model | Weight*2 [g] | |
|-----------|-----------|------------------------|-----------------------------|------|------|------------|---------------|-----|--|-------|------------------------|------------|
| | | | Air | | | Water, Oil | | | | | Stainless steel body*3 | Brass body |
| | | | C | b | Cv | Kv | Conversion Cv | | | | | |
| 10 | 1/8 | 2.4 | 0.62 | 0.45 | 0.15 | 0.13 | 0.15 | 0.9 | JSX11U-□201 | 180 | 180 | |
| | | 4.0 | 2.02 | 0.48 | 0.52 | 0.45 | 0.52 | 1.0 | JSX21U-□402 | 340 | 350 | |
| 20 | 1/4 | 7.1 | 3.15 | 0.44 | 0.88 | 0.76 | 0.88 | 0.4 | JSX21U-□702 | 340 | 350 | |
| | | 4.0 | 2.02 | 0.48 | 0.52 | 0.45 | 0.52 | 1.0 | JSX21U-□403 | 340 | 380 | |
| | 3/8 | 7.1 | 3.15 | 0.44 | 0.88 | 0.76 | 0.88 | 0.4 | JSX21U-□703 | 340 | 380 | |
| | | 4.0 | 2.02 | 0.48 | 0.52 | 0.45 | 0.52 | 1.0 | JSX31U-□702 | 470 | 510 | |
| 30 | 3/8 | 7.1 | 3.15 | 0.44 | 0.88 | 0.76 | 0.88 | 0.8 | JSX31U-□702 | 470 | 510 | |
| | | 4.0 | 2.02 | 0.48 | 0.52 | 0.45 | 0.52 | 1.0 | JSX31U-□703 | 470 | 540 | |

*1 The flow rate characteristics of this product vary.

*2 The values were calculated based on the combination of an Rc or NPT thread and a grommet with PCB.

Add 50 g for the conduit type, 30 g for the DIN terminal type, and -5 g for the M12 connector type.

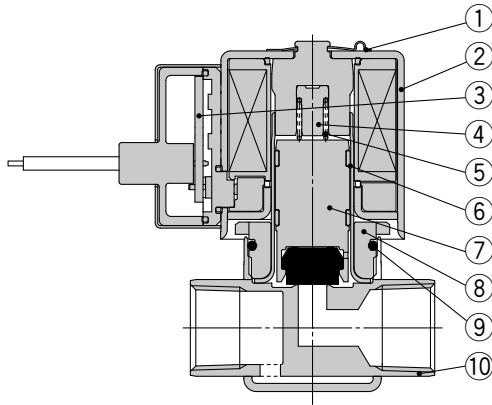
*3 Add 30 g for the G thread (port size 3/8) type.

Applicable Fluid Checklist

| Applicable fluid | Seal material | | |
|------------------|---------------|-----|------|
| | NBR | FKM | EPDM |
| Air | ● | ● | ● |
| Water | ● | ● | ● |
| Oil | — | ● | — |

* The list shows the compatibility between general fluids and the seal materials. Consider the operating environment and application sufficiently before selecting the seal material. Fluid and component compatibility should be checked before use. If something is not clear, please contact SMC.

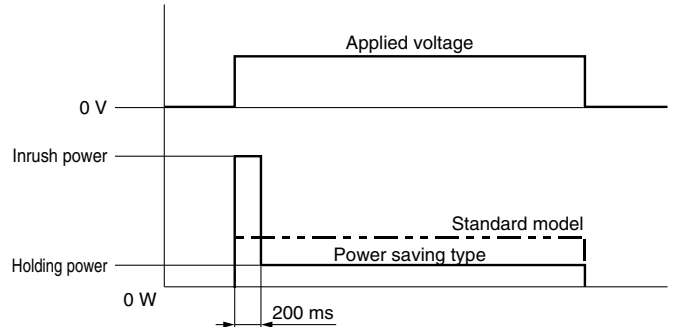
Construction



Component Parts

| No. | Description | Material |
|-----|-------------------|---------------------------------------|
| 1 | Clip | Stainless steel |
| 2 | Solenoid coil | Stainless steel, Cu, Resin |
| 3 | Board assembly | — |
| 4 | Stopper | PPS |
| 5 | Spring | Stainless steel |
| 6 | Tube assembly | Stainless steel |
| 7 | Armature assembly | Stainless steel, PPS, NBR (FKM, EPDM) |
| 8 | Nut | Stainless steel |
| 9 | Gasket | NBR (FKM, EPDM) |
| 10 | Body | Stainless steel |

Power Saving Specification



Power is saved by reducing the wattage required to hold the valve. Effective after being energized for more than 200 ms

* The valve has polarity. Refer to the "Electrical Circuits" on page 66 and be careful not to reverse the polarity.

Common Specifications

| Size | | 10 | 20 | 30 | |
|-------------------------------|--------------------------------------|---|--------------------------------------|--------|-----|
| Valve specifications | Valve construction | Direct operated poppet | | | |
| | Valve type | Normally closed (N.C.) | | | |
| | Fluid and fluid temperature | Air: -10 to 60°C (Dew point temperature: -10°C or less) Water: 1 to 60°C (No freezing) Oil: -5 to 60°C (Kinematic viscosity: 50 mm ² /s or less) | | | |
| | Withstand pressure | 2.0 MPa | | | |
| | Max. system pressure | 1.0 MPa | | | |
| | Ambient temperature | -20 to 60°C | | | |
| | Valve leakage/ External leakage*1 | Air | 1 cm ³ /min (ANR) or less | | |
| | | Water, Oil | 0.1 cm ³ /min or less | | |
| | Mounting orientation | Unrestricted | | | |
| | Enclosure*2 | IP67 (IP65 for the DIN terminal) | | | |
| | Standards*3 | CE/UKCA | | | |
| | Operating environment | Location without the presence of corrosive gases, explosive gases, or constant water adhesion | | | |
| | Body material | Stainless steel, Brass | | | |
| Seal material | NBR, FKM, EPDM | | | | |
| Vibration/Impact resistance*6 | 30/100 m/s ² | | | | |
| Coil specifications | Rated voltage | DC 12 V, 24 V | | | |
| | Allowable voltage fluctuation | ±10% of the rated voltage | | | |
| | Allowable leakage voltage | 2% or less of the rated voltage | | | |
| | Power consumption (Holding)*4 | | 2 W | 3 W | 3 W |
| | | Inrush current | 12 VDC | 1.25 A | 2 A |
| | 24 VDC | | 0.63 A | 1 A | 1 A |
| Temperature rise*5 | 25°C | | | | |

*1 Leakage: The value at a differential pressure of 0.01 MPa or higher and an ambient temperature of 20°C

*2 This product has an IP67 enclosure, but if water enters the product, it may result in malfunction or breakage.

Therefore, take appropriate measures to prevent water from entering the product when using in an environment where it is constantly exposed to water.

*3 The high flow type is not in compliance with UL standards.

*4 Power consumption: The value at an ambient temperature of 20°C and when the rated voltage is applied (Variation: ±10%)

*5 Temperature rise: The value at an ambient temperature of 20°C and when the rated voltage is applied. Use this value as a reference as the actual value varies depending on the ambient environment.

*6 Vibration resistance: No malfunction occurred in a one-sweep test between 45 and 2000 Hz. The test was performed in both an energized and de-energized state in the axial direction and at a right angle to the armature.

Impact resistance: No malfunction occurred when tested with a drop tester in the axial direction and at a right angle to the armature in both an energized and de-energized state, once in each condition. (Value in the initial state)

Do not use in an environment subject to constant vibration and/or impact.

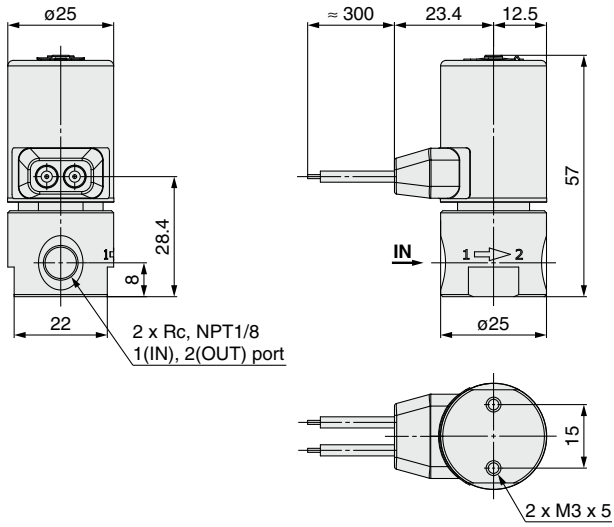
Be sure to read the "Specific Product Precautions" before handling the product.

JSX Series

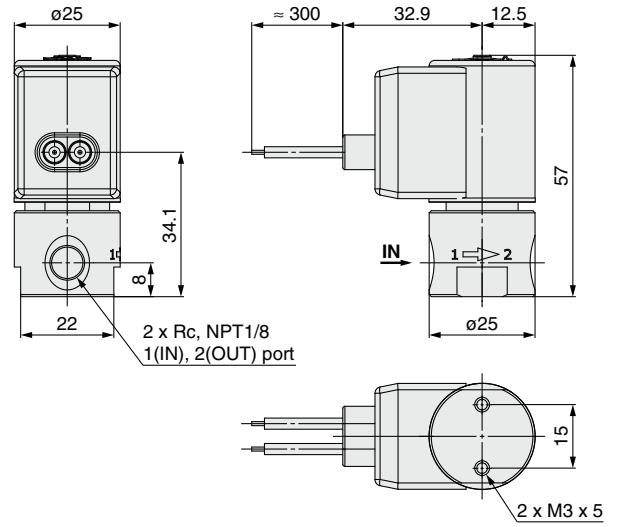
Dimensions: JSX **10, 10U** Port Size **1/8** Body Material **Stainless Steel, Brass**

G: Grommet

* JSX10 only

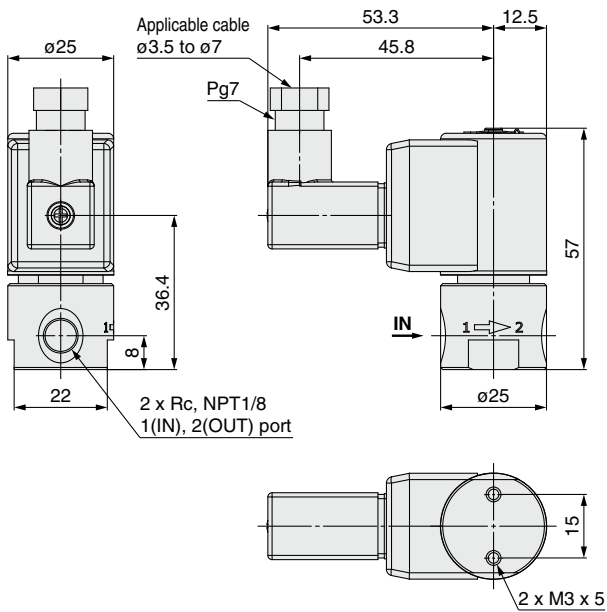


GS: Grommet with PCB



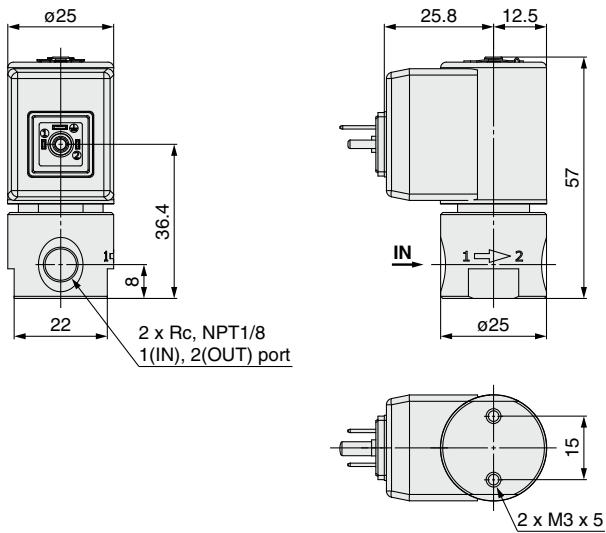
DS: DIN terminal

DZ: DIN terminal with light

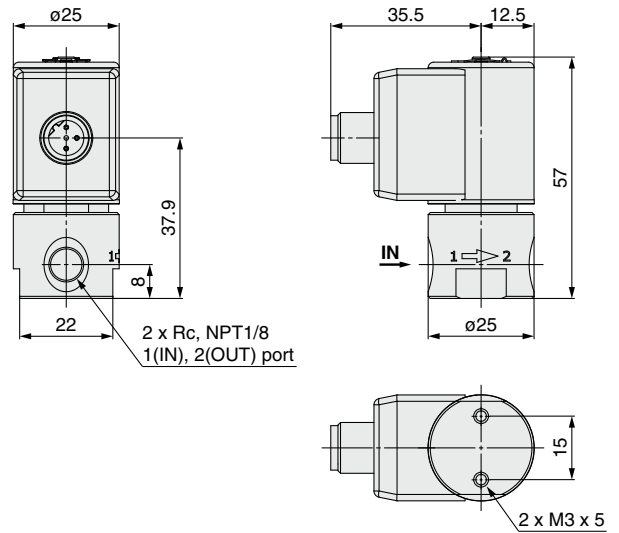


Dimensions: JSX **10, 10U** Port Size **1/8** Body Material **Stainless Steel, Brass**

DN: DIN terminal without connector

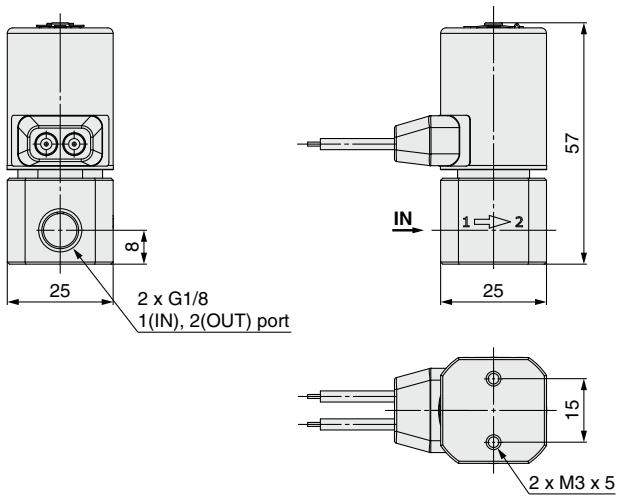


WN: M12 connector



G thread type

- * The dimensions other than those below are the same as those of the Rc type.
- * The grommet type is only available for the JSX10.



JSX Series

JSXD Series

JSXZ Series

JSXM Series

Table of UL-compliant Products

Option

Replacement Parts

Glossary of Terms

Flow Rate Characteristics

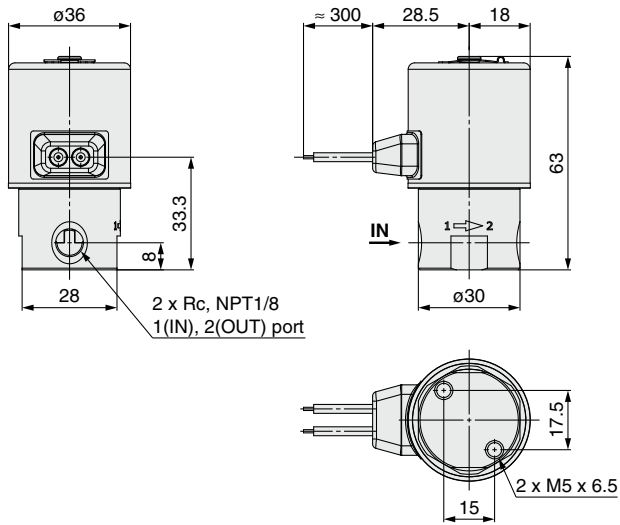
Specific Product Precautions

JSX Series

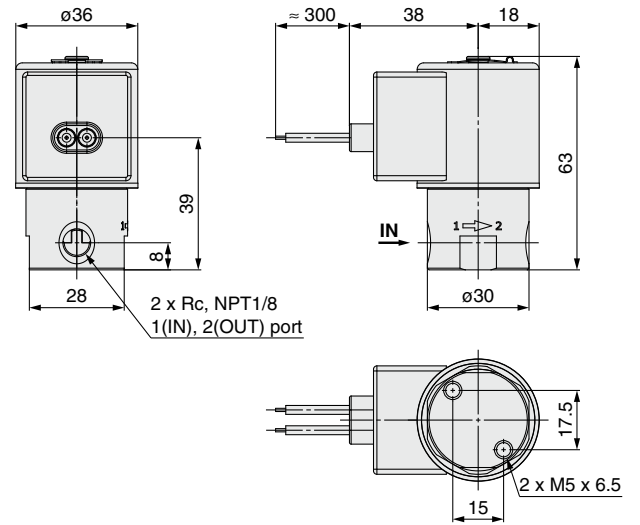
Dimensions: **JSX20, 20U** Port Size **1/8** Body Material **Stainless Steel**

G: Grommet

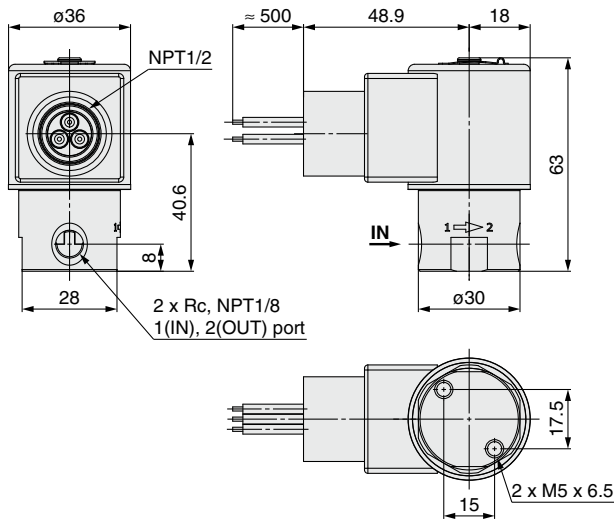
* JSX20 only



GS: Grommet with PCB

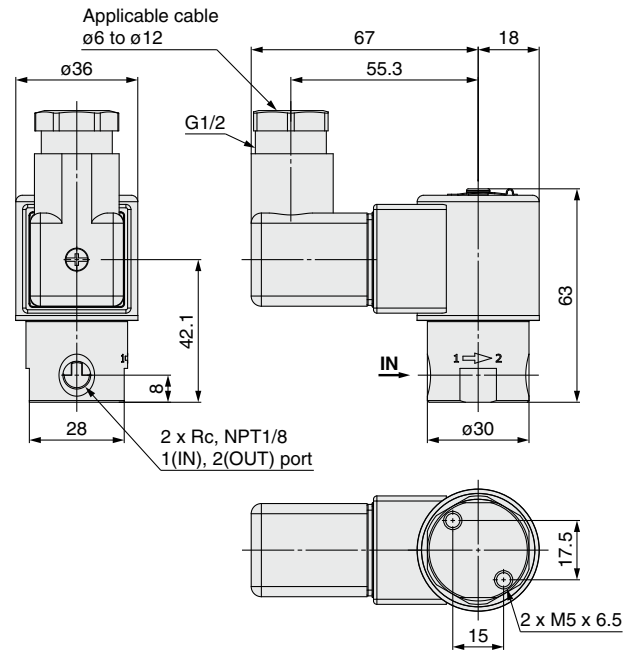


CS: Conduit



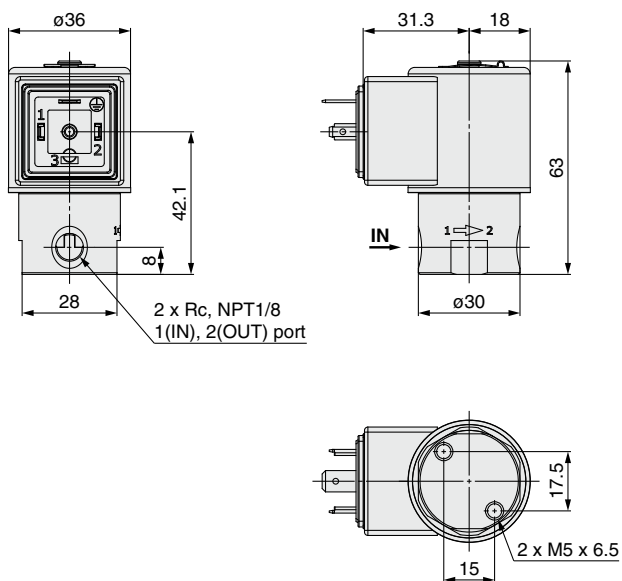
DS: DIN terminal

DZ: DIN terminal with light

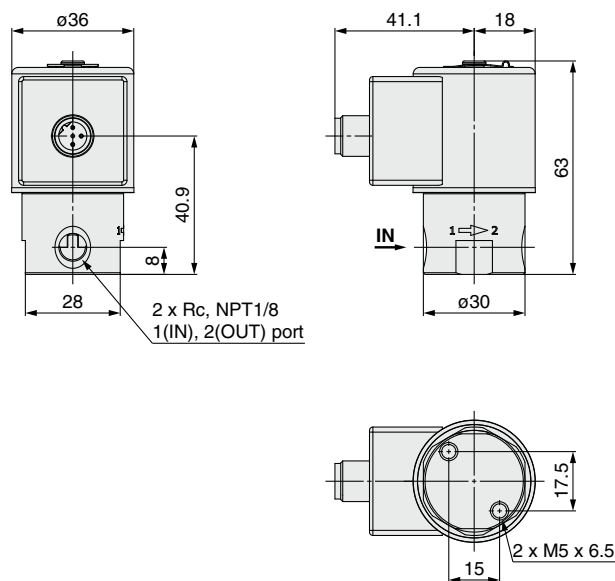


Dimensions: **JSX20, 20U** Port Size **1/8** Body Material **Stainless Steel**

DN: DIN terminal without connector

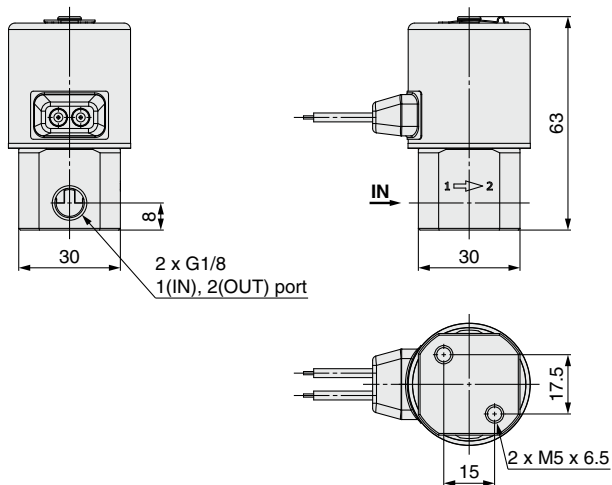


WN: M12 connector



G thread type

- * The dimensions other than those below are the same as those of the Rc type.
- * The grommet type is only available for the JSX20.



| |
|--------------------------------|
| JSX Series |
| JSXD Series |
| JSXZ Series |
| JSXM Series |
| Table of UL-compliant Products |
| Option |
| Replacement Parts |
| Glossary of Terms |
| Flow Rate Characteristics |
| Specific Product Precautions |

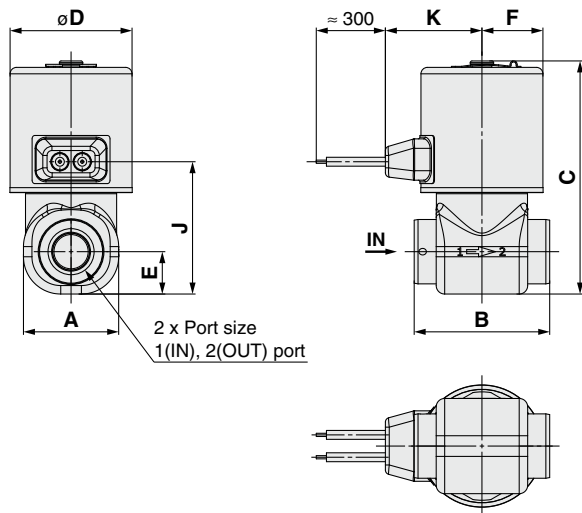
JSX Series

JSX20, 30

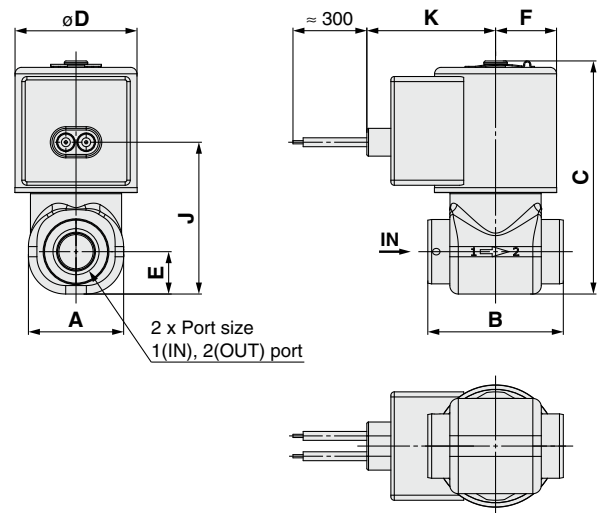
Dimensions: JSX20U, 30U **Port Size** 1/4, 3/8 **Body Material** **Stainless Steel**

G: Grommet

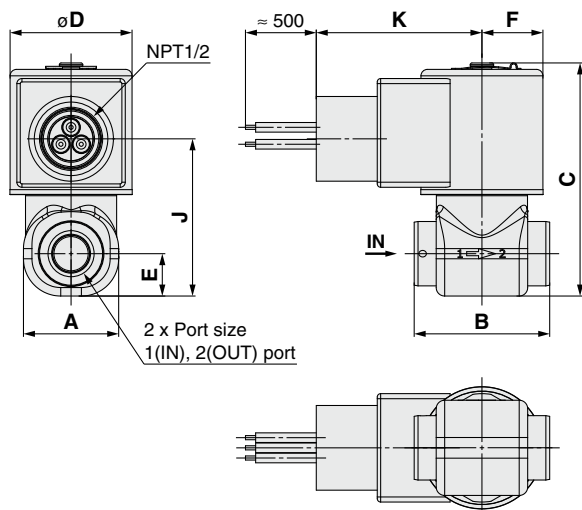
* JSX20 and 30 only



GS: Grommet with PCB



CS: Conduit



| | | | | | | | | [mm] |
|------|-----------|---------|------|------------------|----|---------|------|------|
| Size | Port size | A | B | C | D | E | F | |
| 20 | 1/4 | 28.1 | 40 | 69 | 36 | 12.5 | 18 | |
| | 3/8 | | 48 | | | 14 | | |
| | G3/8 | | 72 | | | | | |
| 30 | 1/4 | 28.1 | 40 | 78 | 42 | 12.5 | 21 | |
| | 3/8 | | 48 | | | 14 | | |
| | G3/8 | | 81 | | | | | |
| Size | Port size | Grommet | | Grommet with PCB | | Conduit | | |
| | | J | K | J | K | J | K | |
| 20 | 1/4 | 39 | 28.5 | 44.8 | 38 | 46.4 | 48.9 | |
| | 3/8 | | | 47.8 | | 49.4 | | |
| | G3/8 | | | | | | | |
| 30 | 1/4 | 40 | 31.1 | 45.8 | 41 | 47.4 | 51.9 | |
| | 3/8 | | | 48.8 | | 50.4 | | |
| | G3/8 | | | | | | | |

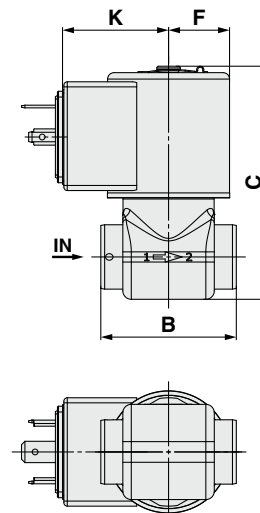
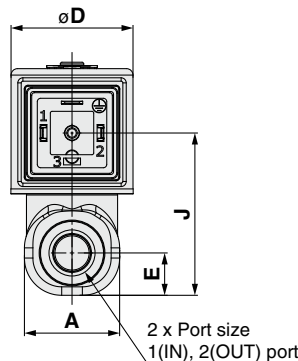
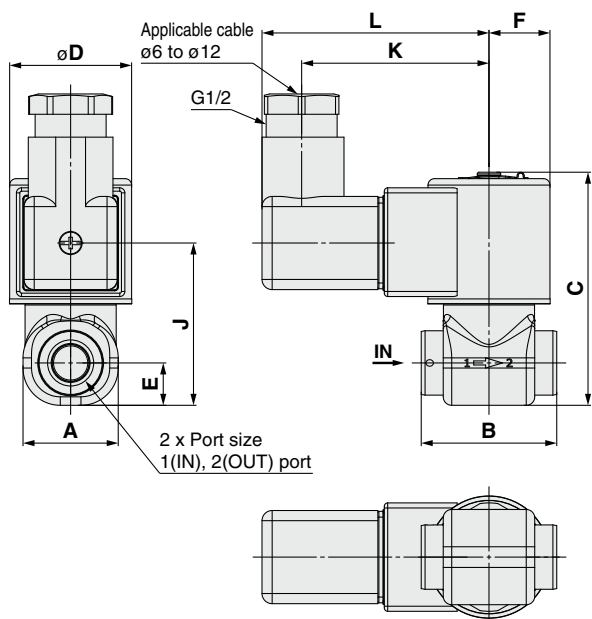
JSX20, 30

Dimensions: **JSX20U, 30U** Port Size 1/4, 3/8 Body Material **Stainless Steel**

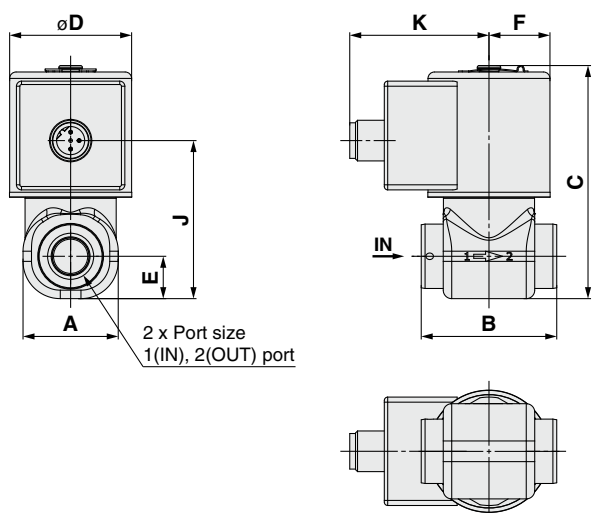
DS: DIN terminal

DZ: DIN terminal with light

DN: DIN terminal without connector



WN: M12 connector



| [mm] | | | | | | | |
|------|-----------|------|----|----|----|------|----|
| Size | Port size | A | B | C | D | E | F |
| 20 | 1/4 | 28.1 | 40 | 69 | 36 | 12.5 | 18 |
| | 3/8 | | 48 | | | 14 | |
| | G3/8 | | 72 | | | | |
| 30 | 1/4 | 28.1 | 40 | 78 | 42 | 12.5 | 21 |
| | 3/8 | | 48 | | | 14 | |
| | G3/8 | | 81 | | | | |

| Size | Port size | DIN terminal | | | DIN terminal without connector | | M12 connector | |
|------|-----------|--------------|------|----|--------------------------------|------|---------------|------|
| | | J | K | L | J | K | J | K |
| 20 | 1/4 | 47.9 | 55.3 | 67 | 47.9 | 31.3 | 46.7 | 41.1 |
| | 3/8 | | | | 50.9 | | 49.7 | |
| | G3/8 | | | | 51.9 | | | |
| 30 | 1/4 | 48.9 | 58.3 | 70 | 48.9 | 34.3 | 47.7 | 44.1 |
| | 3/8 | | | | 51.9 | | 50.7 | |
| | G3/8 | | | | 51.9 | | | |

JSX Series

JSXD Series

JSXZ Series

JSXM Series

Table of UL-compliant Products

Option

Replacement Parts

Glossary of Terms

Flow Rate Characteristics

Specific Product Precautions

JSX Series

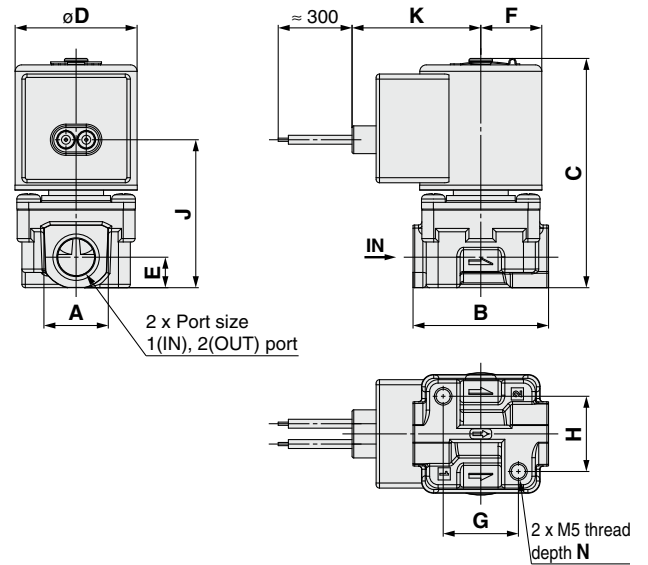
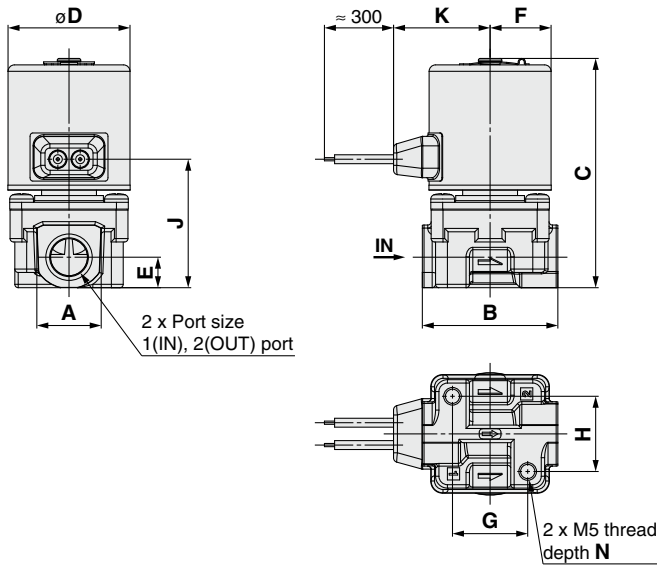
JSX20, 30

Dimensions: JSX20U, 30U Port Size 1/8, 1/4, 3/8 Body Material Brass

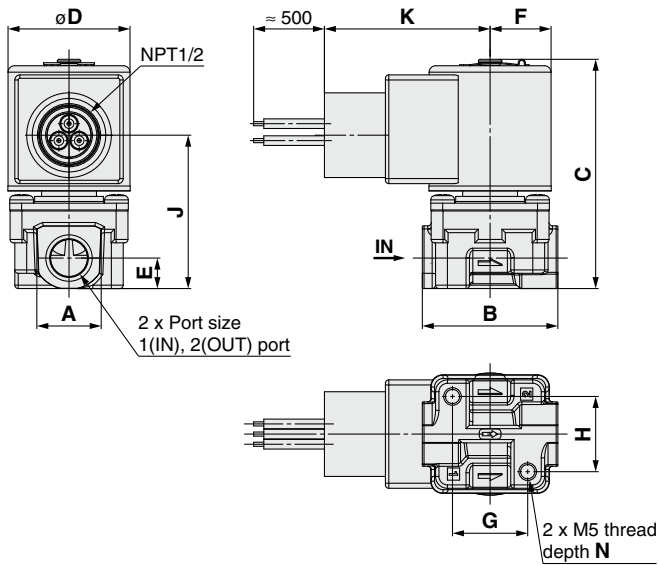
G: Grommet

* JSX20 and 30 only

GS: Grommet with PCB



CS: Conduit



| [mm] | | | | | | | | | | |
|------|-----------|----|----|------|----|----|----|------|------|-----|
| Size | Port size | A | B | C | D | E | F | G | H | N |
| 20 | 1/8 | 14 | 30 | 69.2 | 36 | 9 | 18 | 15 | 17.5 | 6.4 |
| | 1/4 | 19 | 40 | 67.7 | | | | 22.2 | 22.2 | 7.6 |
| | 3/8 | 22 | 48 | 70.7 | | 11 | | 19 | 20.6 | 6 |
| 30 | 1/4 | 19 | 40 | 76.7 | 42 | 9 | 21 | 22.2 | 22.2 | 7.6 |
| | 3/8 | 22 | 48 | 79.7 | | 11 | | 19 | 20.6 | 6 |

| Size | Port size | Grommet | | Grommet with PCB | | Conduit | |
|------|-----------|---------|------|------------------|----|---------|------|
| | | J | K | J | K | J | K |
| 20 | 1/8 | 39.4 | 28.5 | 45.2 | 38 | 46.8 | 48.9 |
| | 1/4 | 37.9 | | 43.7 | | 45.3 | |
| | 3/8 | 40.9 | | 46.7 | | 48.3 | |
| 30 | 1/4 | 39 | 31.1 | 44.7 | 41 | 46.3 | 51.9 |
| | 3/8 | 42 | | 47.7 | | 49.3 | |

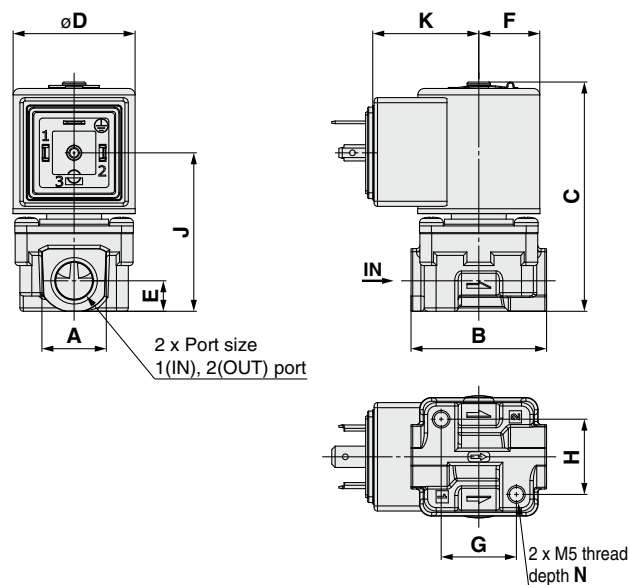
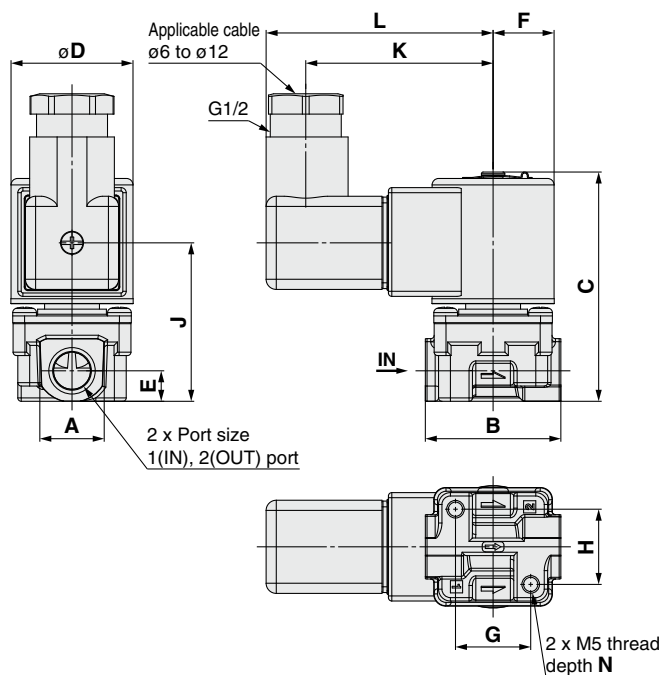
JSX20, 30

Dimensions: **JSX20U, 30U** Port Size **1/8, 1/4, 3/8** Body Material **Brass**

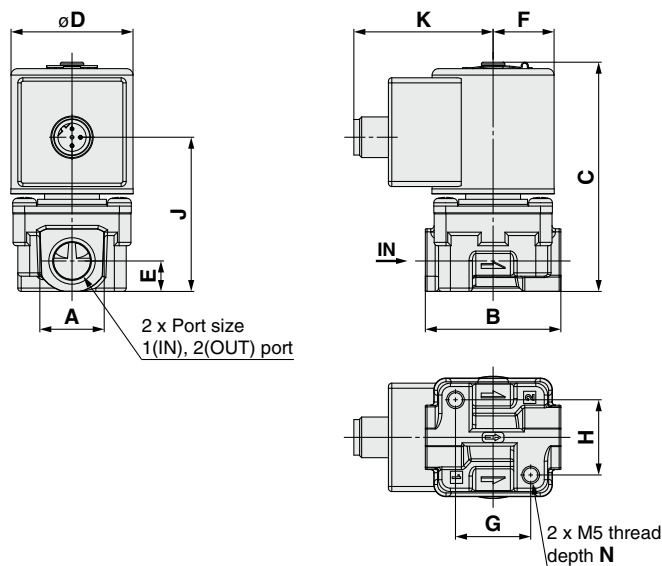
DS: DIN terminal

DZ: DIN terminal with light

DN: DIN terminal without connector



WN: M12 connector



| Size | Port size | A | B | C | D | E | F | G | H | N |
|------|-----------|----|----|------|----|----|----|------|------|-----|
| 20 | 1/8 | 14 | 30 | 69.2 | 36 | 9 | 18 | 15 | 17.5 | 6.4 |
| | 1/4 | 19 | 40 | 67.7 | | | | 22.2 | 22.2 | 7.6 |
| | 3/8 | 22 | 48 | 70.7 | | 11 | | 19 | 20.6 | 6 |
| 30 | 1/4 | 19 | 40 | 76.7 | 42 | 9 | 21 | 22.2 | 22.2 | 7.6 |
| | 3/8 | 22 | 48 | 79.7 | | 11 | | 19 | 20.6 | 6 |

| Size | Port size | DIN terminal | | | DIN terminal without connector | | M12 connector | |
|------|-----------|--------------|------|----|--------------------------------|------|---------------|------|
| | | J | K | L | J | K | J | K |
| 20 | 1/8 | 48.3 | 55.3 | 67 | 48.3 | 31.3 | 47 | 41.1 |
| | 1/4 | 46.8 | | | 46.8 | | 45.5 | |
| | 3/8 | 49.8 | | | 49.8 | | 48.5 | |
| 30 | 1/4 | 47.8 | 58.3 | 70 | 47.8 | 34.3 | 46.6 | 44.1 |
| | 3/8 | 50.8 | | | 50.8 | | 49.6 | |

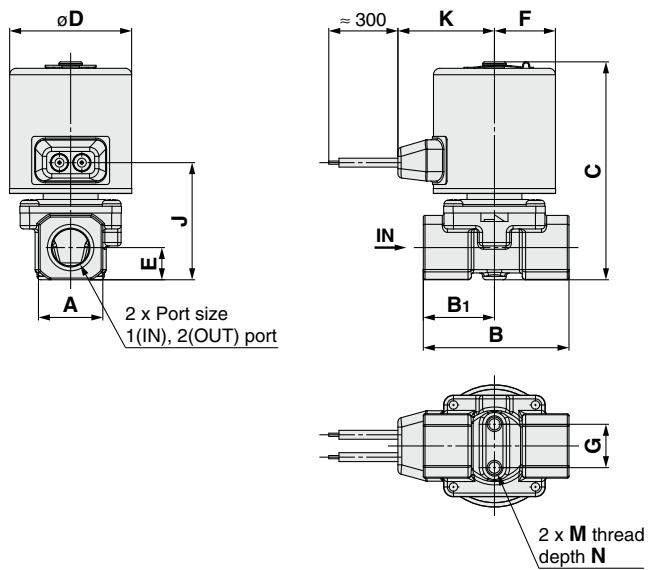
JSX Series
JSXD Series
JSXZ Series
JSXM Series
 Table of UL-compliant Products
 Option
 Replacement Parts
 Glossary of Terms
 Flow Rate Characteristics
 Specific Product Precautions

JSX Series

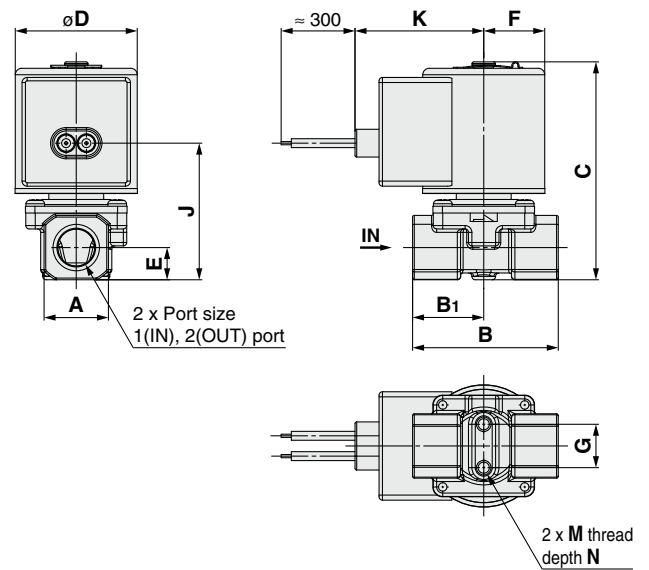
JSX20, 30

Dimensions: JSX20U, 30U Port Size 1/8, 1/4, 3/8 Body Material Aluminum

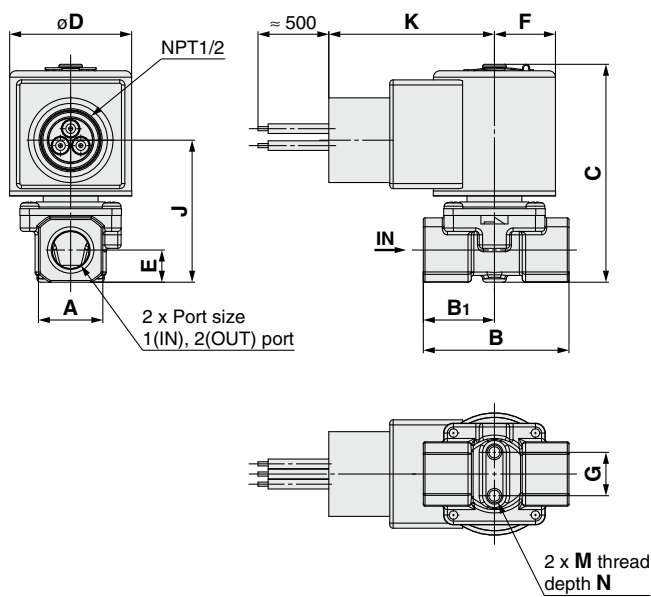
G: Grommet



GS: Grommet with PCB



CS: Conduit



| Size | Port size | A | B | B ₁ | C | D | E | F | G | M | N |
|------|-----------|----|----|----------------|------|----|-----|----|------|----|---|
| 20 | 1/8, 1/4 | 19 | 43 | 21 | 64.3 | 36 | 9.5 | 18 | 12.8 | M4 | 6 |
| 30 | 1/4, 3/8 | 24 | 45 | 22.5 | 80.7 | 42 | 12 | 21 | 19 | M5 | 8 |

| Size | Port size | Grommet | | Grommet with PCB | | Conduit | |
|------|-----------|---------|------|------------------|----|---------|------|
| | | J | K | J | K | J | K |
| 20 | 1/8, 1/4 | 34.6 | 28.5 | 40.3 | 38 | 41.9 | 48.9 |
| 30 | 1/4, 3/8 | 43 | 31.1 | 48.7 | 41 | 50.3 | 51.9 |

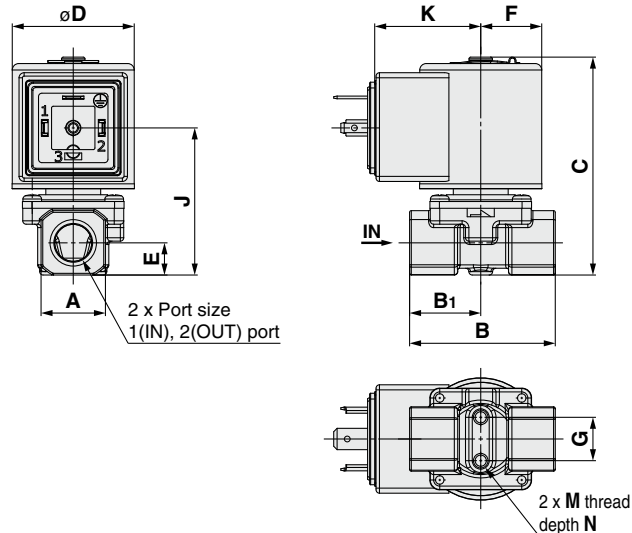
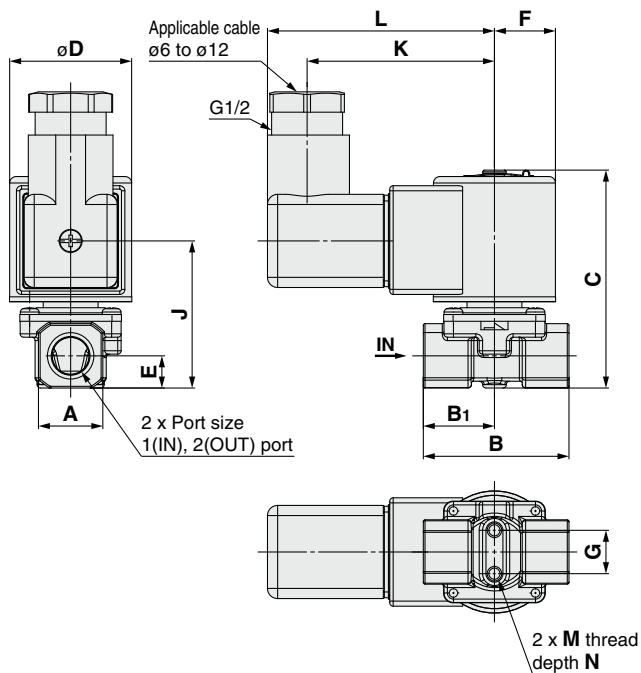
JSX20, 30

Dimensions: **JSX20U, 30U** Port Size **1/8, 1/4, 3/8** Body Material **Aluminum**

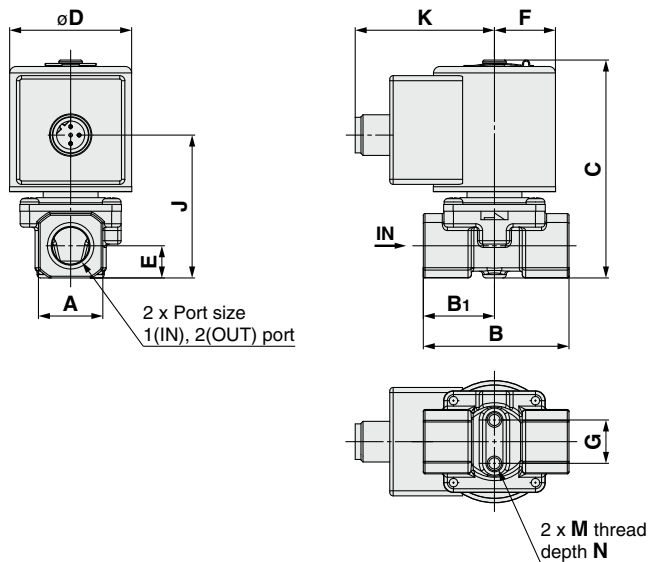
DS: DIN terminal

DZ: DIN terminal with light

DN: DIN terminal without connector



WN: M12 connector



| Size | Port size | A | B | B ₁ | C | D | E | F | G | M | N |
|------|-----------|----|----|----------------|------|----|-----|----|------|----|---|
| 20 | 1/8, 1/4 | 19 | 43 | 21 | 64.3 | 36 | 9.5 | 18 | 12.8 | M4 | 6 |
| 30 | 1/4, 3/8 | 24 | 45 | 22.5 | 80.7 | 42 | 12 | 21 | 19 | M5 | 8 |

| Size | Port size | DIN terminal | | | DIN terminal without connector | | M12 connector | |
|------|-----------|--------------|------|----|--------------------------------|------|---------------|------|
| | | J | K | L | J | K | J | K |
| 20 | 1/8, 1/4 | 43.4 | 55.3 | 67 | 43.4 | 31.3 | 42.2 | 41.1 |
| 30 | 1/4, 3/8 | 51.8 | 58.3 | 70 | 51.8 | 34.3 | 50.6 | 44.1 |

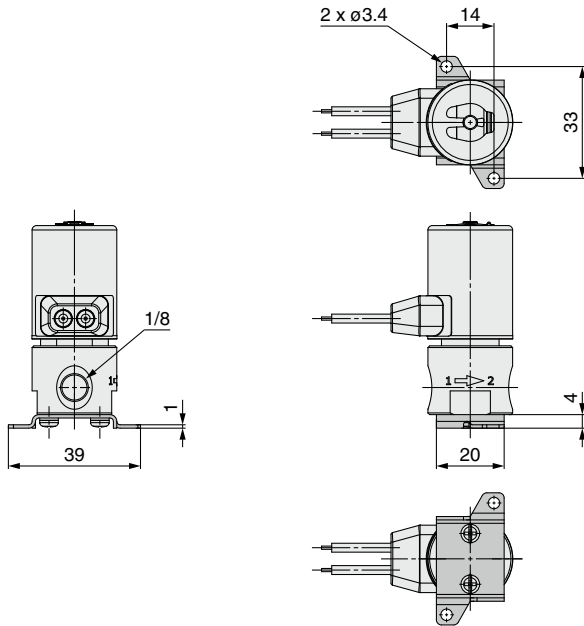
JSX Series
 JSXD Series
 JSXZ Series
 JSXM Series
 Table of UL-compliant Products
 Option
 Replacement Parts
 Glossary of Terms
 Flow Rate Characteristics
 Specific Product Precautions

JSX Series

Dimensions: Bracket Options

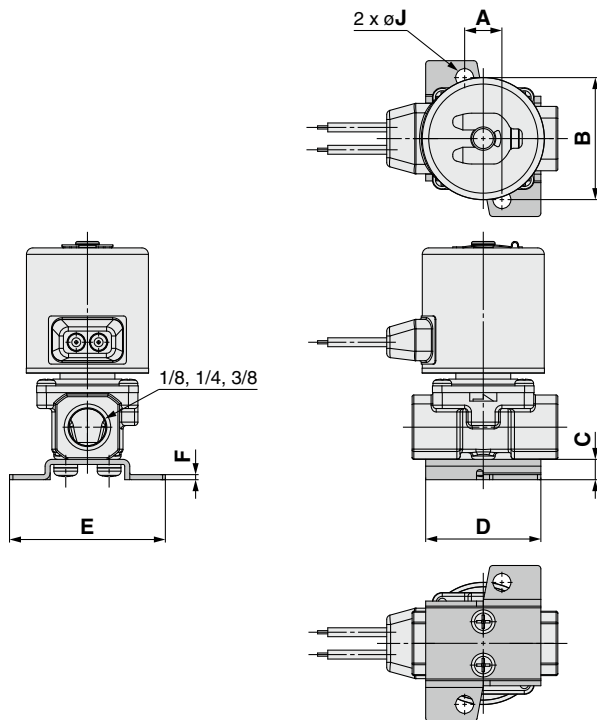
JSX10, 10U **Body Material** Stainless Steel, Brass

* The grommet type is only available for the JSX10.



JSX20, 30 JSX20U, 30U **Body Material** Aluminum

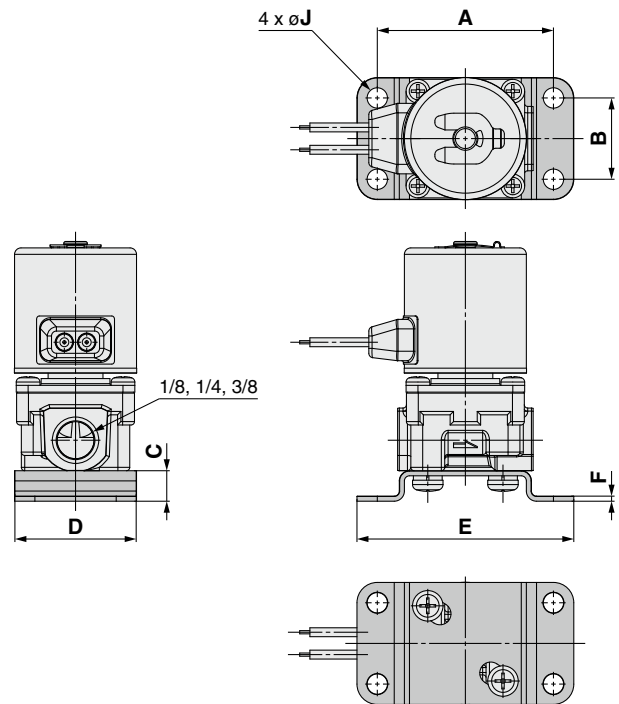
* The grommet type is only available for the JSX20 and 30.



| Body Material: Aluminum | | | | | | | | [mm] |
|-------------------------|-----------|----|----|---|----|----|-----|------|
| Size | Port size | A | B | C | D | E | F | øJ |
| 20 | 1/8, 1/4 | 11 | 36 | 6 | 34 | 46 | 1.5 | 5.3 |
| 30 | 1/4, 3/8 | 13 | 46 | 7 | 40 | 56 | 1.5 | |

JSX20, 30 JSX20U, 30U **Body Material** Brass

* The grommet type is only available for the JSX20 and 30.



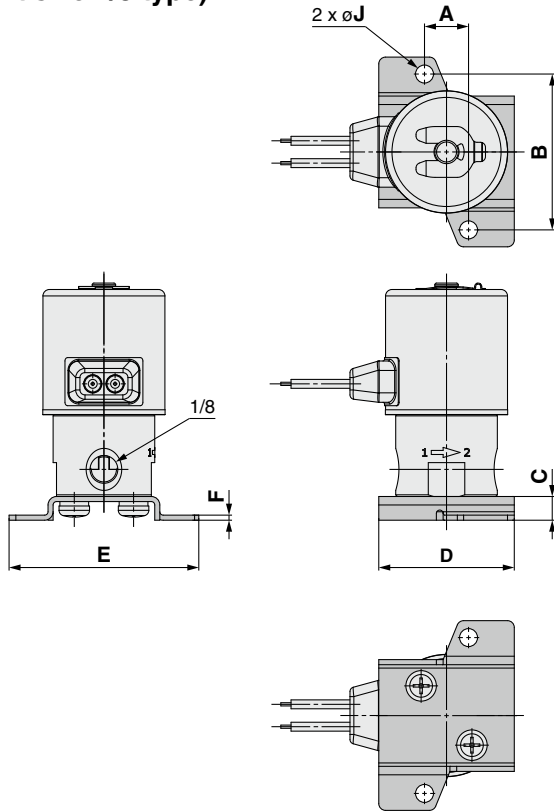
| Body Material: Brass | | | | | | | | [mm] |
|----------------------|-----------|----|----|---|----|----|-----|------|
| Size | Port size | A | B | C | D | E | F | øJ |
| 20 | 1/8 | 52 | 24 | 9 | 36 | 64 | 1.5 | 6 |
| 20, 30 | 1/4, 3/8 | 52 | 24 | 9 | 36 | 64 | 1.5 | 6 |

Dimensions: Bracket Options

JSX20, 30
JSX20U, 30U **Body Material** **Stainless Steel**

* The grommet type is only available for the JSX20 and 30.

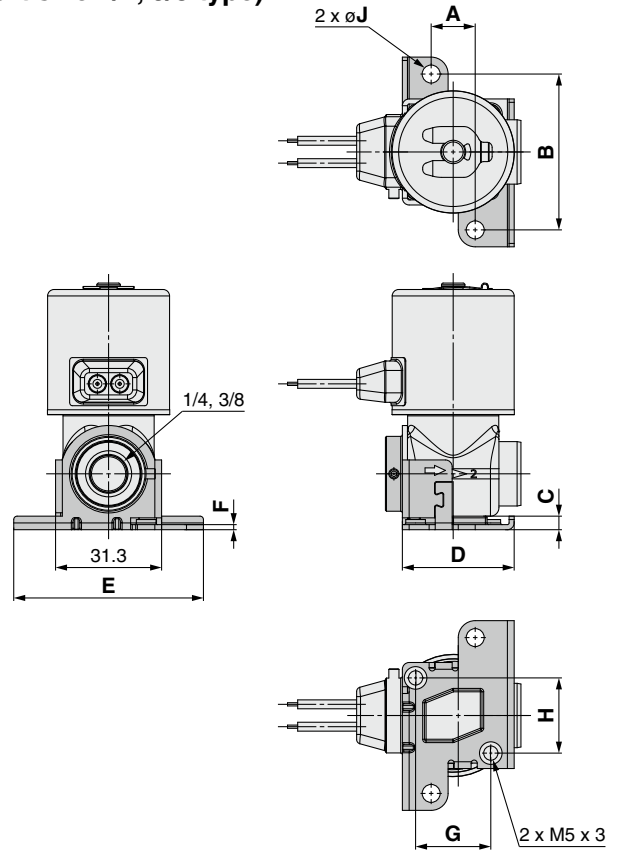
(Port size 1/8 type)



JSX20, 30
JSX20U, 30U **Body Material** **Stainless Steel**

* The grommet type is only available for the JSX20 and 30.

(Port size 1/4, 3/8 type)



| [mm] | | | | | | | | | | |
|--------|-----------|----|----|---|----|----|-----|------|------|-----|
| Size | Port size | A | B | C | D | E | F | G | H | øJ |
| 20 | 1/8 | 13 | 46 | 7 | 40 | 56 | 1.5 | — | — | 5.3 |
| 20, 30 | 1/4, 3/8 | 13 | 46 | 4 | 33 | 56 | 1.5 | 22.2 | 22.2 | 5.3 |
| | G3/8 | | | | | | | 19 | 20.6 | |

JSX Series

JSXD Series

JSXZ Series

JSXM Series

Table of UL-compliant Products

Option

Replacement Parts

Glossary of Terms

Flow Rate Characteristics

Specific Product Precautions

Pilot Operated 2-Port Solenoid Valve

JSXD Series

CE UK CA
Differs depending on the voltage and electrical entry. For details, refer to table 8 below.

UL US LISTED

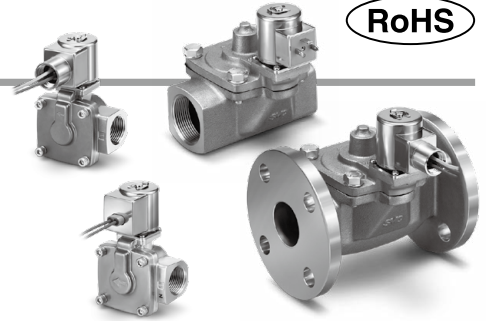
UL US

RoHS

How to Order

JSXD **3** **1** - **C** **N** **02** **R** - **5** **G** - **D** - **B**

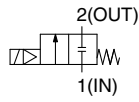
① ② ③ ④ ⑤ ⑥ ⑦ ⑧ ⑨ ⑩



① Size

| Symbol | Size |
|--------|------|
| 3 | 30 |
| 4 | 40 |
| 5 | 50 |
| 6 | 60 |
| 7 | 70 |
| 8 | 80 |
| 9 | 90 |

② Valve type

| Symbol | Valve type |
|--------|--|
| 1 | N.C.  |

③ Body material

| Symbol | Body material | Size | | |
|--------|-----------------|------|------------|------------|
| | | 30 | 40, 50, 60 | 70, 80, 90 |
| C | Brass | ● | ● | — |
| S | Stainless steel | ● | ● | — |
| B | Bronze | — | — | ● |
| A | Aluminum | ● | — | — |

④ Seal material

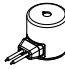


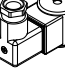



| Symbol | Seal material |
|--------|---------------|
| N | NBR |
| F | FKM |
| E*1 | EPDM |

*1 Cannot be used in combination with the aluminum body

⑤ Port size

| Symbol | Connection | Port size | Size | | | | | | |
|--------|------------|-----------|------|----|----|----|----|----|----|
| | | | 30 | 40 | 50 | 60 | 70 | 80 | 90 |
| 02 | Thread | 1/4 | ● | — | — | — | — | — | — |
| 03 | | 3/8 | ● | ● | — | — | — | — | — |
| 04 | | 1/2 | ● | ● | — | — | — | — | — |
| 06 | | 3/4 | — | — | ● | — | — | — | — |
| 10 | | 1 | — | — | — | ● | — | — | — |
| 12 | | 1 1/4 | — | — | — | — | ● | — | — |
| 14 | | 1 1/2 | — | — | — | — | — | ● | — |
| 20 | 2 | — | — | — | — | — | — | ● | |
| 32 | Flange | 32A | — | — | — | — | — | ● | — |
| 40 | | 40A | — | — | — | — | — | ● | — |
| 50 | | 50A | — | — | — | — | — | — | ● |

⑧ Electrical entry

| Symbol | Electrical entry | CE/UKCA-compliant | UL Standards |
|--------|--|-------------------|--------------------------|
| G | Grommet*1  | 12 VDC | |
| | | 24 VDC | |
| GS | Grommet with PCB (With surge voltage suppressor)  | 100 VAC | Refer to pages 47 to 50. |
| | | 24 VDC | |
| | | 12 VDC | |
| | | 48 VAC | |
| CS | Conduit (With surge voltage suppressor)  | All voltages | |
| | | | |
| DS | DIN terminal (With surge voltage suppressor)  | All voltages | |
| | | | |
| DZ | DIN terminal with light (With surge voltage suppressor)  | All voltages | |
| | | | |
| DN | DIN terminal without connector (With surge voltage suppressor)  | All voltages | |
| | | | |
| WN | M12 connector without cable (With surge voltage suppressor)*2  | All voltages | |
| | | | |

⑥ Thread type

| Symbol | Thread type | Connection |
|--------|-------------|------------|
| R | Rc | Thread |
| N | NPT | |
| F | G | |
| Nil | — | Flange |

⑦ Rated voltage

| AC | | | | DC | |
|--------|---------------|--------|---------------|--------|---------------|
| Symbol | Rated voltage | Symbol | Rated voltage | Symbol | Rated voltage |
| 1 | 100 VAC | 7 | 240 VAC | 5 | 24 VDC |
| 2 | 200 VAC | 8 | 48 VAC | 6 | 12 VDC |
| 3 | 120 (110) VAC | B | 24 VAC | | |
| 4 | 220 VAC | J | 230 VAC | | |

⑨ Oil-free option

| Symbol | Option |
|--------|----------|
| Nil | None |
| D | Oil-free |

⑩ Bracket

| Symbol | With bracket | Size | | |
|--------|--------------|------|------------|------------|
| | | 30 | 40, 50, 60 | 70, 80, 90 |
| Nil | None | ● | ● | ● |
| B | With bracket | ● | ● | —*1 |

*1 Sizes 70 to 90 are not available with a bracket.

*1 DC voltage only

*2 A cable for the M12 connector is not included with the product. Refer to the "Option" on page 51 to order it separately.

Flow Rate Characteristics

| Size | Body material | Port size | Orifice diameter [mmø] | Flow rate characteristics*1 | | | | | | Min. operating pressure differential [MPa] | Max. operating pressure differential [MPa] | Model | Weight*2 [g] |
|------|--------------------------|------------|------------------------|------------------------------|------|-----|-----------------------------------|-----|---------------|--|--|-----------|--------------|
| | | | | Air | | | Water, Oil | | | | | | |
| | | | | C [dm ³ /(s·bar)] | b | Cv | Effective area [mm ²] | Kv | Conversion Cv | | | | |
| 30 | Aluminum | 1/4 | 10 | 8.5 | 0.35 | 2.0 | — | — | 0.02 | 1.0 | JSXD31-A□02 | 410 | |
| | | 3/8 | | 9.2 | | 2.4 | | | | | JSXD31-A□03 | 410 | |
| | | 1/2 | | 9.2 | | 2.4 | | | | | JSXD31-A□04 | 410 | |
| | Brass Stainless steel | 1/4 | | 8.5 | 2.0 | 1.6 | | 1.9 | | | JSXD31- $\frac{C}{S}$ □02 | 500 | |
| | | 3/8 | | 9.2 | 2.4 | 2.0 | | 2.4 | | | JSXD31- $\frac{C}{S}$ □03 | 500 | |
| | | 1/2 | | 9.2 | 2.4 | 2.0 | | 2.4 | | | JSXD31- $\frac{C}{S}$ □04 | 500 | |
| 40 | Brass Stainless steel | 3/8 | 15 | 18 | 0.35 | 5.0 | — | 3.9 | 4.5 | JSXD41- $\frac{C}{S}$ □03 | 720 | | |
| | | 1/2 | | 20 | | 5.5 | | 4.6 | 5.5 | JSXD41- $\frac{C}{S}$ □04 | 720 | | |
| 50 | Brass/Stainless steel | 3/4 | 20 | 38 | 0.30 | 9.5 | — | 8.2 | 9.5 | JSXD51- $\frac{C}{S}$ □06 | 880 | | |
| 60 | Brass/Stainless steel | 1 | 25 | — | — | — | — | 225 | 11.0 | 13.0 | JSXD61- $\frac{C}{S}$ □10 | 1460 | |
| 70 | Bronze | 1 1/4, 32A | 35 | — | — | — | — | 415 | 19.6 | 23.0 | JSXD71-B□(12, 32) | 5500/3000 | |
| 80 | Bronze | 1 1/2, 40A | 40 | — | — | — | — | 560 | 26.4 | 31.0 | JSXD81-B□(14, 40) | 6900/4100 | |
| 90 | Bronze | 2, 50A | 50 | — | — | — | — | 880 | 42.8 | 49.0 | JSXD91-B□(20, 50) | 8500/5500 | |

*1 The flow rate characteristics of this product vary.

*2 Indicates case of grommet type

Add 20 g for the grommet type with PCB, 70 g for the conduit type, 50 g for the DIN terminal type, and 15 g for the M12 connector type. For sizes 70, 80, and 90, the weight on the left is for the flange type, and the weight on the right is for the thread type.

Applicable Fluid Checklist

| Applicable fluid | Seal material | | |
|------------------|---------------|-----|------|
| | NBR | FKM | EPDM |
| Air | ● | ● | ● |
| Water | ● | ● | ● |
| Oil | — | ● | — |

* The list shows the compatibility between general fluids and the seal materials. Consider the operating environment and application sufficiently before selecting the seal material. Fluid and component compatibility should be checked before use. If something is not clear, please contact SMC.

Common Specifications

| Size | | 30 | 40 | 50 | 60 | 70 | 80 | 90 | |
|-----------------------|---|----------------------------------|---|--|-----|--------|---------------------------------------|----|--|
| Valve specifications | Body material | Aluminum | Brass, Stainless steel | Brass, Stainless steel | | | Bronze | | |
| | Valve construction | Pilot operated diaphragm | | | | | | | |
| | Valve type | Normally closed (N.C.) | | | | | | | |
| | Fluid and fluid temperature | Air*1 | -10 to 60°C | | | | | | |
| | | Water, Oil | — | Water: 1 to 60°C (No freezing), Oil: -5 to 60°C (Kinematic viscosity: 50 mm ² /s or less) | | | | | |
| | Withstand pressure | 2 MPa | | | | | | | |
| | Max. system pressure | 1 MPa | | | | | | | |
| | Ambient temperature | -20 to 60°C | | | | | | | |
| | Valve leakage*2 | Air | 15 cm ³ /min (ANR) or less | 2 cm ³ /min (ANR) or less | | | 10 cm ³ /min (ANR) or less | | |
| | | Water, Oil | — | 0.2 cm ³ /min or less | | | 1 cm ³ /min or less | | |
| | External leakage*2 | Air | 15 cm ³ /min (ANR) or less | 1 cm ³ /min (ANR) or less | | | | | |
| | | Water, Oil | — | 0.1 cm ³ /min or less | | | | | |
| | Mounting orientation | Unrestricted | | | | | | | |
| | Enclosure*3 | IP67 (IP65 for the DIN terminal) | | | | | | | |
| | Standards*4 | CE/UKCA | | | | | | | |
| Operating environment | Location without the presence of corrosive gases, explosive gases, or constant water adhesion | | | | | | | | |
| Seal material | NBR, FKM, EPDM | | | | | | | | |
| Coil specifications | Rated voltage | AC | 24 V, 48 V, 100 V, 110 V, 120 V, 200 V, 220 V, 230 V, 240 V | | | | | | |
| | | DC | 12 V, 24 V | | | | | | |
| | Allowable voltage fluctuation | ±10% of the rated voltage | | | | | | | |
| | Allowable leakage voltage | AC | 5% or less of the rated voltage | | | | | | |
| | | DC | 2% or less of the rated voltage | | | | | | |
| | Apparent power*5, *6 | AC | 8 VA | | | 9.5 VA | | | |
| Power consumption*5 | DC | 6 W | | | 8 W | | | | |
| Temperature rise*7 | AC/DC | 70/65°C | | | | | | | |

*1 Dew point temperature: -10°C or less

*2 Leakage: The value at a differential pressure the same as or higher than the min. operating pressure differential, and an ambient temperature of 20°C

*3 This product has an IP67 enclosure, but if water enters the product, it may result in malfunction or breakage.

Therefore, take appropriate measures to prevent water from entering the product when using in an environment where it is constantly exposed to water.

*4 Standards compliance varies depending on the model. For details, refer to page 25.

*5 Power consumption/Apparent power: The value at an ambient temperature of 20°C and when the rated voltage is applied (Variation: ±10%)

*6 There is no difference in the frequency and the inrush and energized apparent power, since a rectifying circuit is used in the AC.

*7 Temperature rise: The value at an ambient temperature of 20°C and when the rated voltage is applied. Use this value as a reference as the actual value varies depending on the ambient environment.

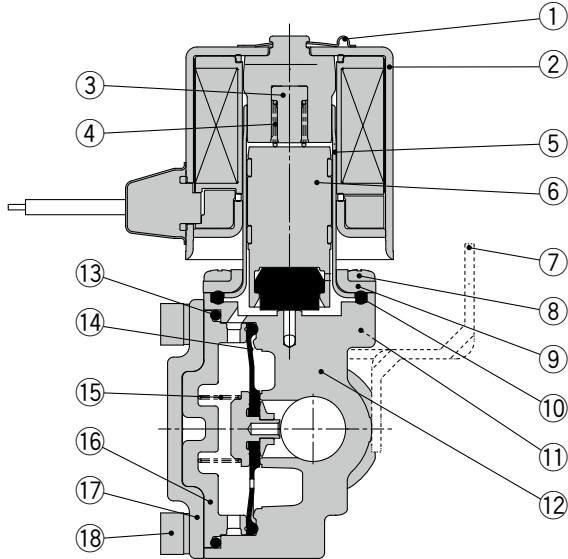
Be sure to read the "Specific Product Precautions" before handling the product.

JSXD Series

Construction

JSXD30, Normally closed (N.C.)

Body material: Brass, Stainless steel, Aluminum

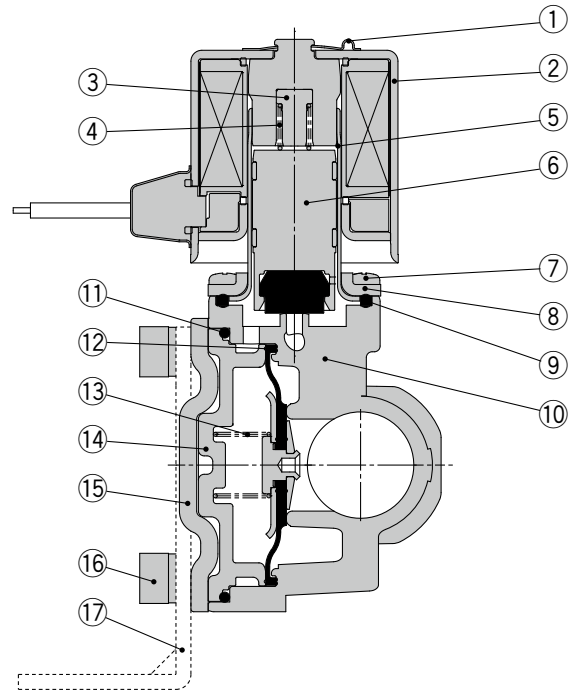


Component Parts

| No. | Description | Material | | |
|-----|--------------------|--|----------------------------------|------------|
| | | Brass | Stainless steel | Aluminum |
| 1 | Clip | Stainless steel | | |
| 2 | Solenoid coil | Stainless steel, Cu, Resin | | |
| 3 | Stopper | PPS | | |
| 4 | Spring | Stainless steel | | |
| 5 | Tube assembly | Stainless steel | | |
| 6 | Armature assembly | Stainless steel, PPS, NBR, (FKM, EPDM) | Stainless steel, PPS, NBR, (FKM) | |
| 7 | Bracket | Fe | | |
| 8 | Mounting screw | Fe | | |
| 9 | Bonnet | Stainless steel | | |
| 10 | Gasket | NBR, (FKM, EPDM) | NBR, (FKM) | |
| 11 | Bolt | Fe | | |
| 12 | Body | Brass | Stainless steel | Aluminum |
| 13 | O-ring | NBR, (FKM, EPDM) | | NBR, (FKM) |
| 14 | Diaphragm assembly | Stainless steel, NBR, (FKM, EPDM) | Stainless steel, NBR, (FKM) | |
| 15 | Valve spring | Stainless steel | | |
| 16 | Buffer | PPS | | |
| 17 | Bonnet | Stainless steel | | |
| 18 | Bolt | Fe | | |

JSXD40, Normally closed (N.C.)

Body material: Brass, Stainless steel

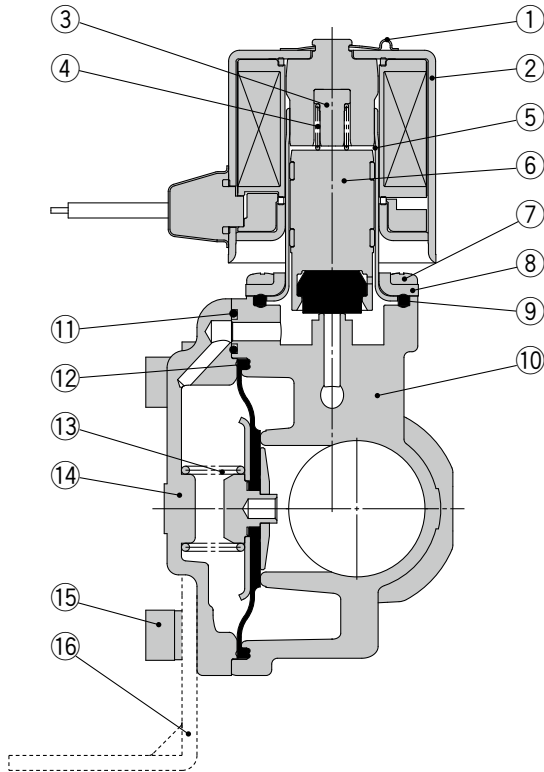


Component Parts

| No. | Description | Material | |
|-----|--------------------|--|-----------------|
| | | Brass | Stainless steel |
| 1 | Clip | Stainless steel | |
| 2 | Solenoid coil | Stainless steel, Cu, Resin | |
| 3 | Stopper | PPS | |
| 4 | Spring | Stainless steel | |
| 5 | Tube assembly | Stainless steel | |
| 6 | Armature assembly | Stainless steel, PPS, NBR, (FKM, EPDM) | |
| 7 | Mounting screw | Fe | |
| 8 | Bonnet | Stainless steel | |
| 9 | Gasket | NBR, (FKM, EPDM) | |
| 10 | Body | Brass | Stainless steel |
| 11 | O-ring | NBR, (FKM, EPDM) | |
| 12 | Diaphragm assembly | Stainless steel, NBR, (FKM, EPDM) | |
| 13 | Valve spring | Stainless steel | |
| 14 | Buffer | PPS | |
| 15 | Bonnet | Stainless steel | |
| 16 | Bolt | Fe | |
| 17 | Bracket | Fe | |

Construction

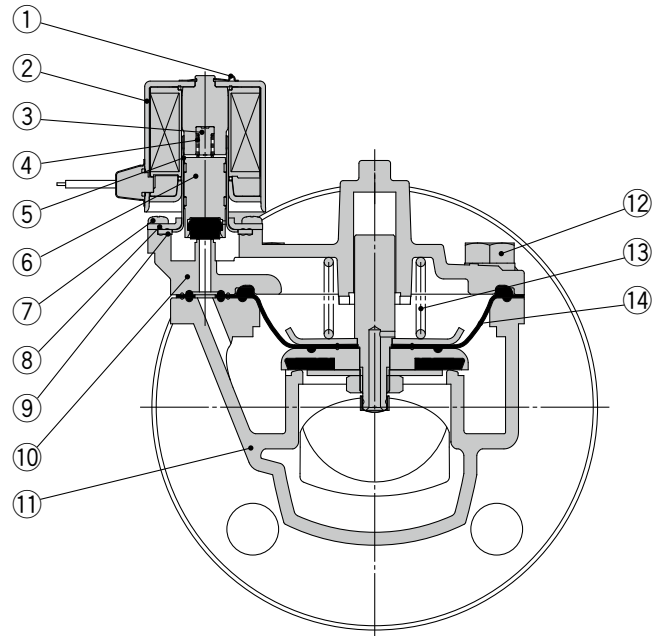
JSXD50, 60, Normally closed (N.C.)
Body material: Brass, Stainless steel



Component Parts

| No. | Description | Material | |
|-----|--------------------|--|-----------------|
| | | Brass | Stainless steel |
| 1 | Clip | | Stainless steel |
| 2 | Solenoid coil | Stainless steel, Cu, Resin | |
| 3 | Stopper | PPS | |
| 4 | Spring | Stainless steel | |
| 5 | Tube assembly | Stainless steel | |
| 6 | Armature assembly | Stainless steel, PPS, NBR, (FKM, EPDM) | |
| 7 | Mounting screw | Fe | |
| 8 | Bonnet | Stainless steel | |
| 9 | Gasket | NBR, (FKM, EPDM) | |
| 10 | Body | Brass | Stainless steel |
| 11 | O-ring | NBR, (FKM, EPDM) | |
| 12 | Diaphragm assembly | Stainless steel, NBR, (FKM, EPDM) | |
| 13 | Valve spring | Stainless steel | |
| 14 | Bonnet | Brass | Stainless steel |
| 15 | Bolt | Fe | |
| 16 | Bracket | Fe | |

JSXD70, 80, 90, Normally closed (N.C.)
Body material: Bronze



Component Parts

| No. | Description | Material |
|-----|--------------------|--|
| 1 | Clip | Stainless steel |
| 2 | Solenoid coil | Stainless steel, Cu, Resin |
| 3 | Stopper | PPS |
| 4 | Spring | Stainless steel |
| 5 | Tube assembly | Stainless steel |
| 6 | Armature assembly | Stainless steel, PPS, NBR, (FKM, EPDM) |
| 7 | Mounting screw | Fe |
| 8 | Bonnet | Stainless steel |
| 9 | Gasket | NBR, (FKM, EPDM) |
| 10 | Bonnet | Bronze |
| 11 | Body | Bronze |
| 12 | Bolt | Fe |
| 13 | Valve spring | Stainless steel |
| 14 | Diaphragm assembly | Stainless steel, NBR, (FKM, EPDM) |

JSX Series

JSXD Series

JSXZ Series

JSXM Series

Table of UL-compliant Products

Option

Replacement Parts

Glossary of Terms

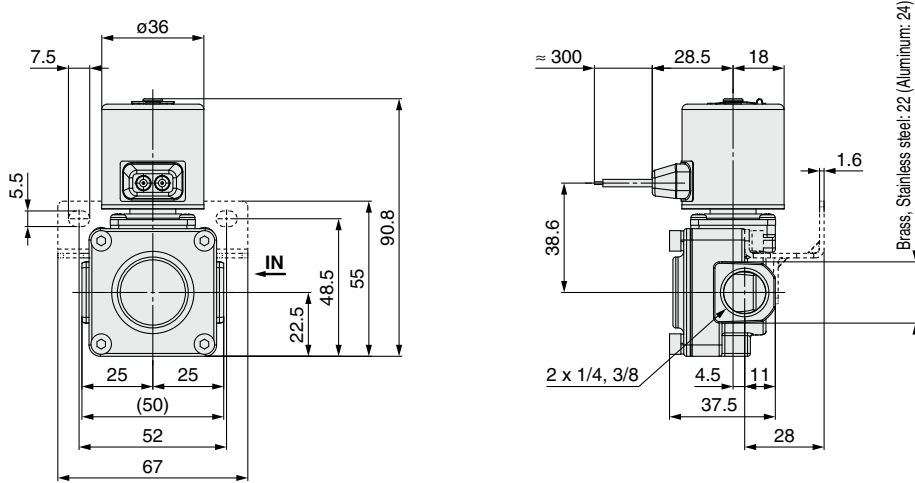
Flow Rate Characteristics

Specific Product Precautions

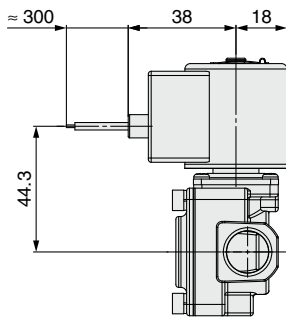
JSXD Series

Dimensions: JSXD**30** Port Size **1/4, 3/8** Body Material **Aluminum, Brass, Stainless Steel**

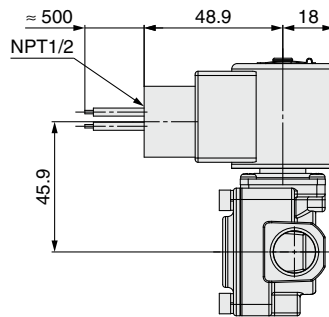
G: Grommet



GS: Grommet with PCB

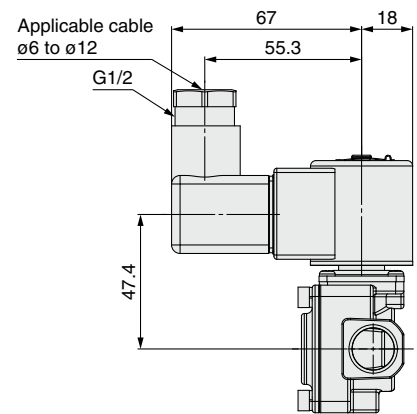


CS: Conduit

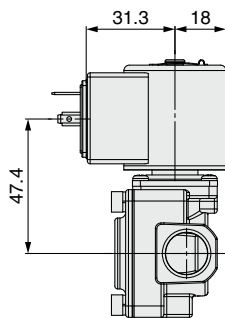


DS: DIN terminal

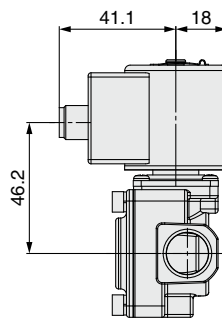
DZ: DIN terminal with light



DN: DIN terminal without connector

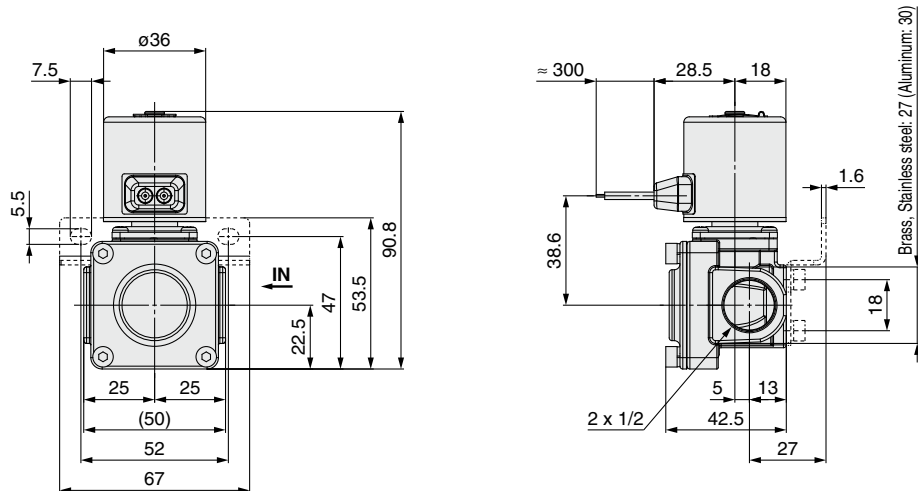


WN: M12 connector

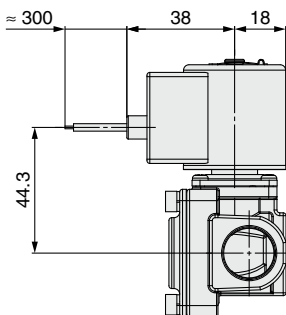


Dimensions: **JSXD30** Port Size **1/2** Body Material **Aluminum, Brass, Stainless Steel**

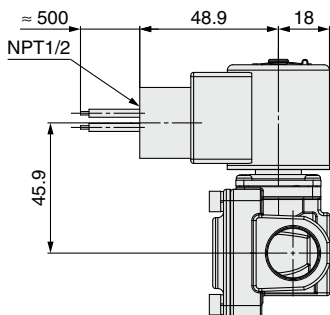
G: Grommet



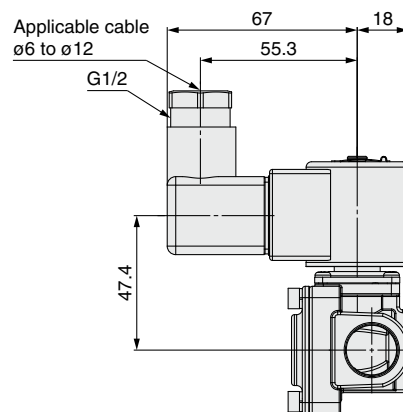
GS: Grommet with PCB



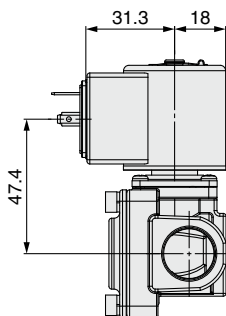
CS: Conduit



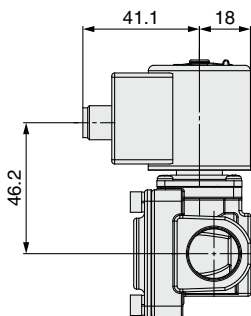
DS: DIN terminal
DZ: DIN terminal with light



DN: DIN terminal without connector

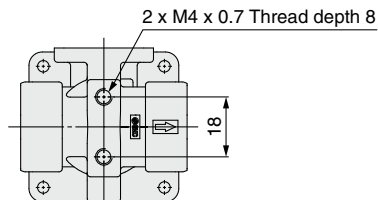


WN: M12 connector



JSXD31-□□04

* Only the JSXD31 with port size of 04 (1/2) has threads on the bottom of the body.

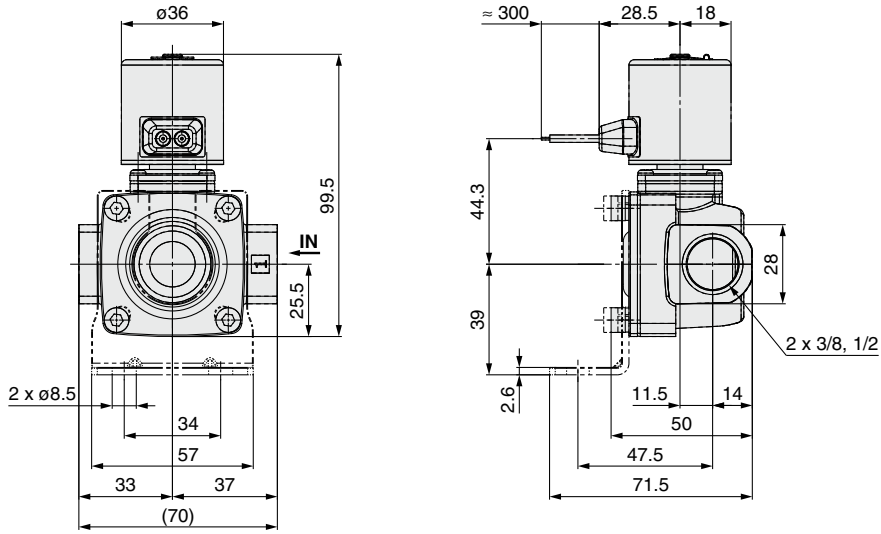


- JSX Series
- JSXD Series
- JSXZ Series
- JSXM Series
- Table of UL-compliant Products
- Option
- Replacement Parts
- Glossary of Terms
- Flow Rate Characteristics
- Specific Product Precautions

JSXD Series

Dimensions: JSXD40 Port Size **3/8, 1/2** Body Material **Brass, Stainless Steel**

G: Grommet

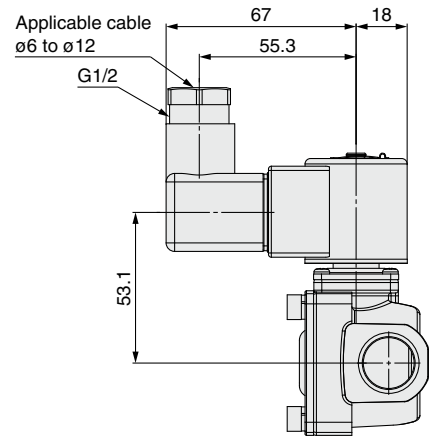
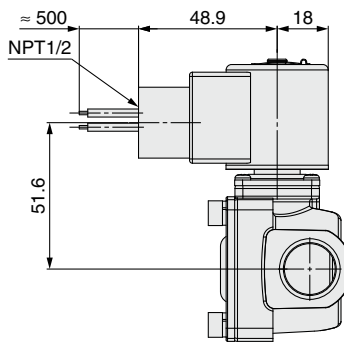
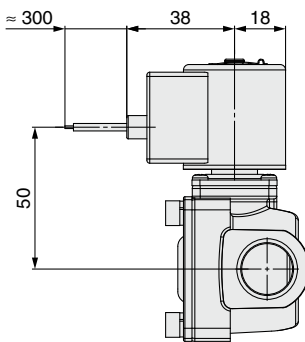


GS: Grommet with PCB

CS: Conduit

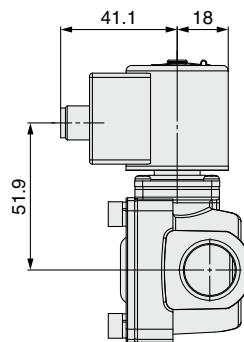
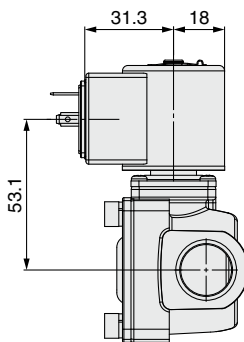
DS: DIN terminal

DZ: DIN terminal with light



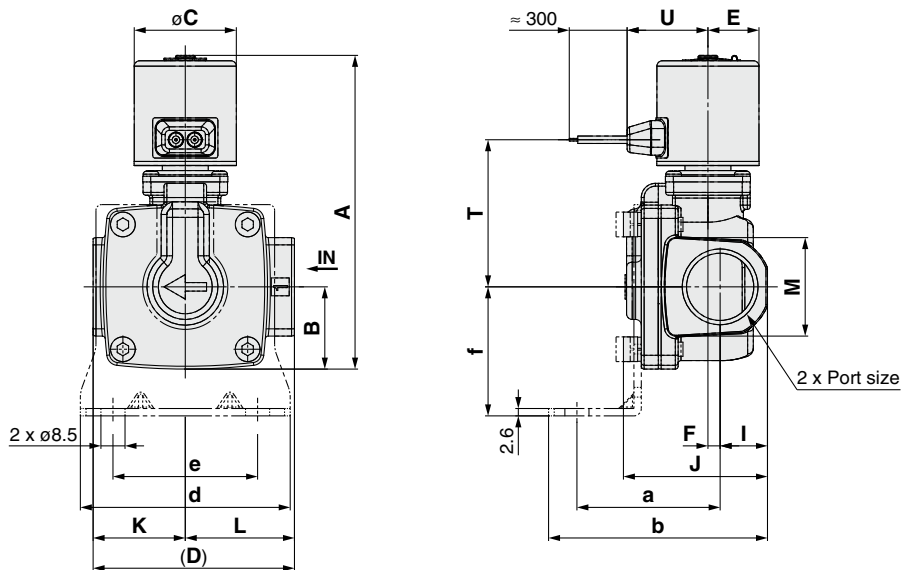
DN: DIN terminal without connector

WN: M12 connector



Dimensions: JSXD**50, 60** Port Size **3/4, 1** Body Material **Brass, Stainless Steel**

G: Grommet

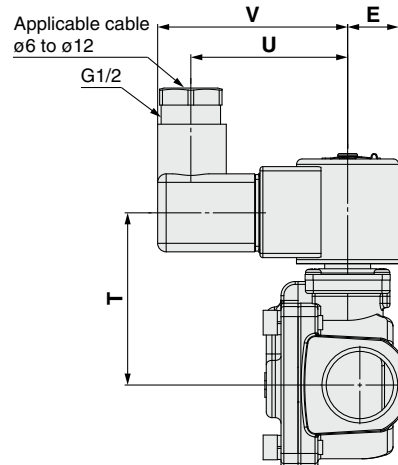
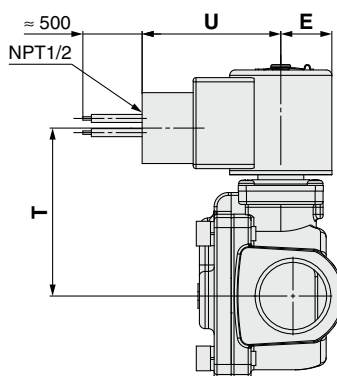
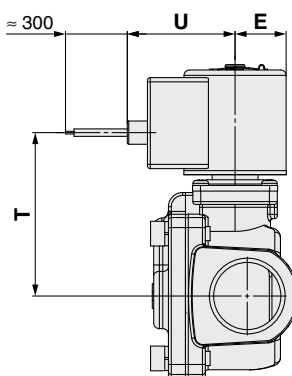


GS: Grommet with PCB

CS: Conduit

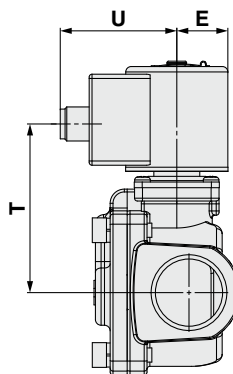
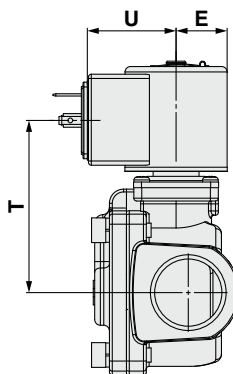
DS: DIN terminal

DZ: DIN terminal with light



DN: DIN terminal without connector

WN: M12 connector



| Size | Port size | A | B | C | D | E | F | I | J | K | L | M | Grommet | | Grommet with PCB | |
|------|-----------|-------|----|----|----|----|-----|----|------|------|------|----|---------|------|------------------|----|
| | | | | | | | | | | | | | T | U | T | U |
| 50 | 3/4 | 110.6 | 29 | 36 | 71 | 18 | 4.5 | 17 | 51 | 32.5 | 38.5 | 35 | 51.9 | 28.5 | 57.6 | 38 |
| 60 | 1 | 131 | 33 | 42 | 95 | 21 | 4.5 | 20 | 59.5 | 45.5 | 49.5 | 42 | 60.4 | 31.1 | 66 | 41 |

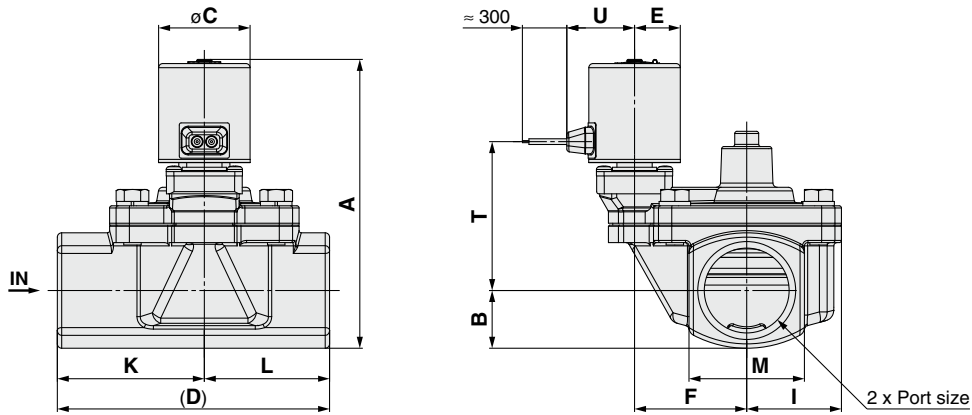
| Size | Port size | Conduit | | DIN terminal | | DIN terminal without connector | | M12 connector | | Bracket mount dimensions | | | | | |
|------|-----------|---------|------|--------------|------|--------------------------------|------|---------------|------|--------------------------|------|------|----|----|------|
| | | T | U | T | U | V | T | U | T | U | a | b | d | e | f |
| 50 | 3/4 | 59.2 | 48.9 | 60.7 | 55.3 | 67 | 60.7 | 31.3 | 59.5 | 41.1 | 50.5 | 77.5 | 74 | 51 | 45.5 |
| 60 | 1 | 67.6 | 51.9 | 69.1 | 58.3 | 70 | 69.1 | 34.3 | 67.9 | 44.1 | 55.5 | 85.5 | 81 | 58 | 49.5 |

JSX Series
JSXD Series
JSXZ Series
JSXM Series
Table of UL-compliant Products
Option
Replacement Parts
Glossary of Terms
Flow Rate Characteristics
Specific Product Precautions

JSXD Series

Dimensions: JSXD **70, 80, 90** Port Size **1 1/4, 1 1/2, 2** Body Material **Bronze**

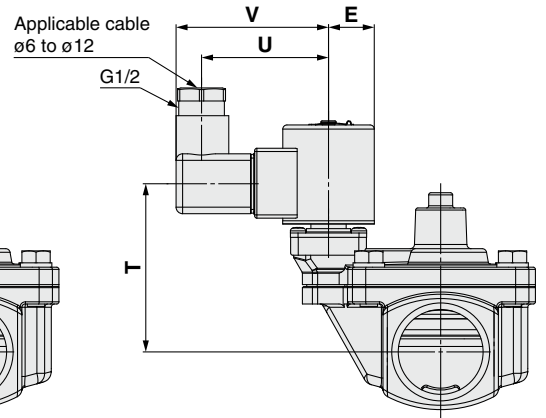
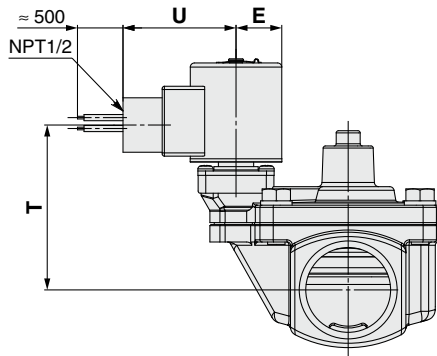
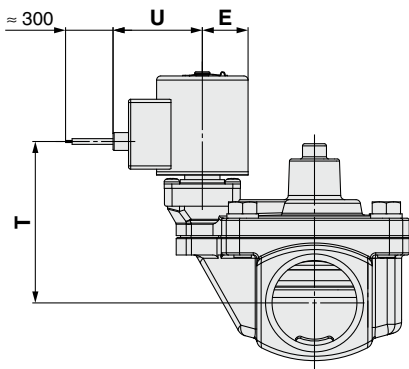
G: Grommet



GS: Grommet with PCB

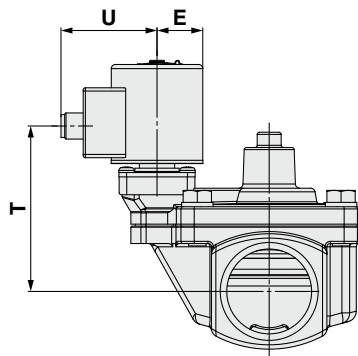
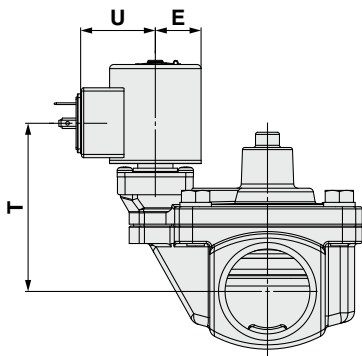
CS: Conduit

DS: DIN terminal
DZ: DIN terminal with light



DN: DIN terminal without connector

WN: M12 connector



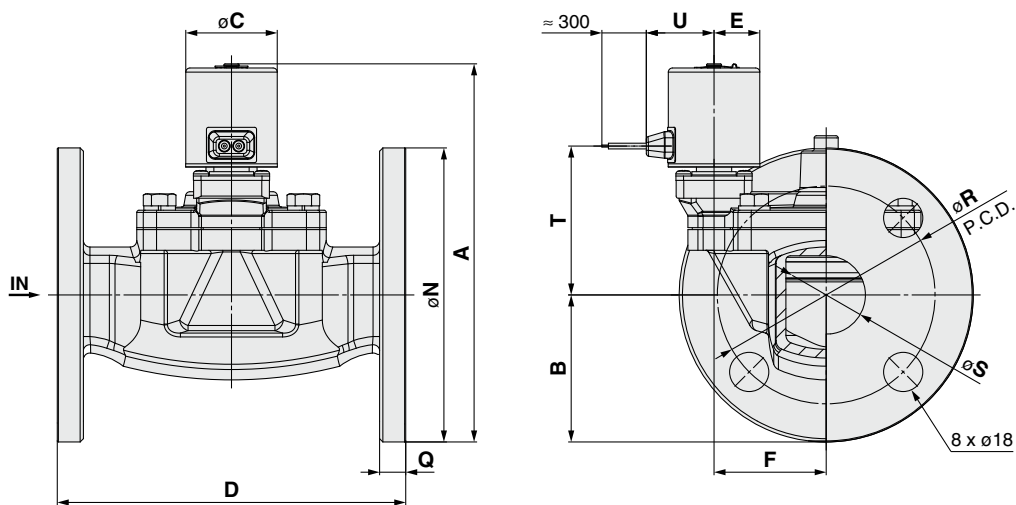
[mm]

| Size | Port size | A | B | C | D | E | F | I | K | L | M |
|------|-----------|-------|------|----|-----|----|------|------|------|------|----|
| 70 | 1 1/4 | 132.6 | 26.5 | 42 | 125 | 21 | 51.5 | 43.5 | 67.5 | 57.5 | 53 |
| 80 | 1 1/2 | 139.3 | 30 | 42 | 132 | 21 | 54.5 | 46.5 | 72 | 60 | 60 |
| 90 | 2 | 150.3 | 35.5 | 42 | 150 | 21 | 59 | 52 | 81 | 69 | 71 |

| Size | Port size | Grommet | | Grommet with PCB | | Conduit | | DIN terminal | | | DIN terminal without connector | | M12 connector | |
|------|-----------|---------|------|------------------|----|---------|------|--------------|------|----|--------------------------------|------|---------------|------|
| | | T | U | T | U | T | U | T | U | V | T | U | T | U |
| 70 | 1 1/4 | 68.4 | 31.1 | 74.1 | 41 | 75.7 | 51.9 | 77.2 | 58.3 | 70 | 77.2 | 34.3 | 76 | 44.1 |
| 80 | 1 1/2 | 71.6 | 31.1 | 77.3 | 41 | 78.9 | 51.9 | 80.4 | 58.3 | 70 | 80.4 | 34.3 | 79.2 | 44.1 |
| 90 | 2 | 77.1 | 31.1 | 82.8 | 41 | 84.4 | 51.9 | 85.9 | 58.3 | 70 | 85.9 | 34.3 | 84.7 | 44.1 |

Dimensions: JSXD **70, 80, 90** Applicable Flange **32A, 40A, 50A** Body Material **Bronze**

G: Grommet

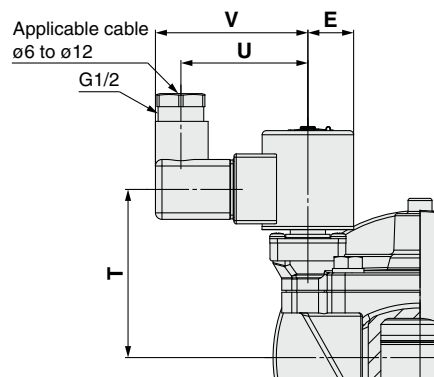
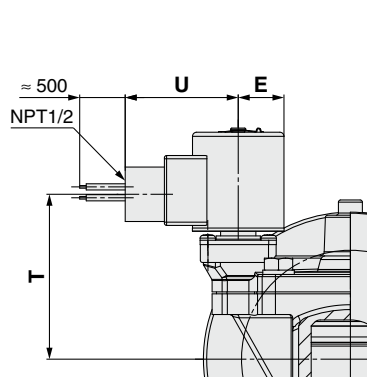
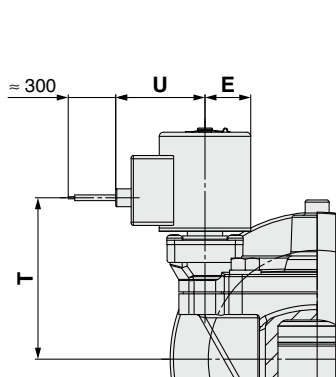


GS: Grommet with PCB

CS: Conduit

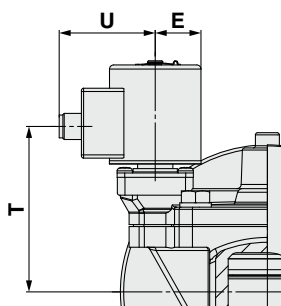
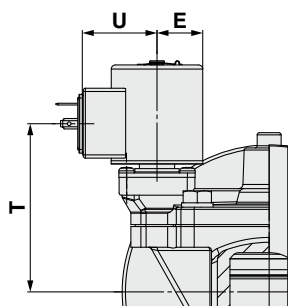
DS: DIN terminal

DZ: DIN terminal with light



DN: DIN terminal without connector

WN: M12 connector



| Size | Applicable flange | A | B | C | D | E | F | N | Q | R | S |
|------|-------------------|-------|------|----|-----|----|------|-----|----|-----|----|
| 70 | 32A | 173.6 | 67.5 | 42 | 160 | 21 | 51.5 | 135 | 12 | 100 | 36 |
| 80 | 40A | 179.3 | 70 | 42 | 170 | 21 | 54.5 | 140 | 14 | 105 | 42 |
| 90 | 50A | 192.3 | 77.5 | 42 | 180 | 21 | 59 | 155 | 14 | 120 | 52 |

[mm]

| Size | Applicable flange | Grommet | | Grommet with PCB | | Conduit | | DIN terminal | | | DIN terminal without connector | | M12 connector | |
|------|-------------------|---------|------|------------------|----|---------|------|--------------|------|----|--------------------------------|------|---------------|------|
| | | T | U | T | U | T | U | T | U | V | T | U | T | U |
| 70 | 32A | 68.4 | 31.1 | 74.1 | 41 | 75.7 | 51.9 | 77.2 | 58.3 | 70 | 77.2 | 34.3 | 76 | 44.1 |
| 80 | 40A | 71.6 | 31.1 | 77.3 | 41 | 78.9 | 51.9 | 80.4 | 58.3 | 70 | 80.4 | 34.3 | 79.2 | 44.1 |
| 90 | 50A | 77.1 | 31.1 | 82.8 | 41 | 84.4 | 51.9 | 85.9 | 58.3 | 70 | 85.9 | 34.3 | 84.7 | 44.1 |

JSX Series
JSXD Series
JSXZ Series
JSXM Series
Table of UL-compliant Products
Option
Replacement Parts
Glossary of Terms
Flow Rate Characteristics
Specific Product Precautions

Zero Differential Pressure Type Pilot Operated 2-Port Solenoid Valve

JSXZ Series



Differs depending on the voltage and electrical entry. For details, refer to table 9 below.

RoHS



How to Order

JSXZ **3** **1** - **C** **N** **02** **R** - **5** **G** - **D** - **B**

① ② ③ ④ ⑤ ⑥ ⑦ ⑧ ⑨ ⑩

① Size

| Symbol | Size |
|--------|------|
| 3 | 30 |
| 4 | 40 |
| 5 | 50 |
| 6 | 60 |

② Valve type

| Symbol | Valve type |
|--------|------------|
| 1 | N.C. |

③ Body material

| Symbol | Body material | Size | |
|--------|-----------------|------|------------|
| | | 30 | 40, 50, 60 |
| C | Brass | ● | ● |
| S | Stainless steel | ● | ● |
| A | Aluminum | ● | — |

④ Seal material

| Symbol | Seal material |
|--------|---------------|
| N | NBR |
| F | FKM |
| E*1 | EPDM |

*1 Cannot be used in combination with the aluminum body

⑤ Port size

| Symbol | Port size | Size | | | |
|--------|-----------|------|----|----|----|
| | | 30 | 40 | 50 | 60 |
| 02 | 1/4 | ● | — | — | — |
| 03 | 3/8 | ● | — | — | — |
| 04 | 1/2 | — | ● | — | — |
| 06 | 3/4 | — | — | ● | — |
| 10 | 1 | — | — | — | ● |

⑥ Thread type

| Symbol | Thread type |
|--------|-------------|
| R | Rc |
| N | NPT |
| F | G |

⑦ Rated voltage

| Symbol | Rated voltage | Symbol | Rated voltage | Symbol | Rated voltage |
|--------|---------------|--------|---------------|--------|---------------|
| 1 | 100 VAC | 5 | 24 VDC | B | 24 VAC |
| 2 | 200 VAC | 6 | 12 VDC | J | 230 VAC |
| 3 | 120 (110) VAC | 7 | 240 VAC | | |
| 4 | 220 VAC | 8 | 48 VAC | | |

⑧ Electrical entry

| Symbol | Electrical entry | CE/UKCA-compliant |
|--------|--|---|
| G | Grommet*1 | 12 VDC 24 VDC |
| GS | Grommet with PCB (With surge voltage suppressor) | 100 VAC 24 VDC 12 VDC 48 VAC 24 VAC |
| CS | Conduit (With surge voltage suppressor) | All voltages |
| DS | DIN terminal (With surge voltage suppressor) | All voltages |

| Symbol | Electrical entry | CE/UKCA-compliant |
|--------|---|-------------------|
| DZ | DIN terminal with light (With surge voltage suppressor) | All voltages |
| DN | DIN terminal without connector (With surge voltage suppressor) | All voltages |
| WN | M12 connector without connector cable (With surge voltage suppressor)*2 | All voltages |

*1 DC voltage only

*2 A cable for the M12 connector is not included with the product. Refer to the "Option" on page 51 to order it separately.

⑨ Oil-free option

| Symbol | Option |
|--------|----------|
| Nil | None |
| D | Oil-free |

⑩ Bracket option

| Symbol | Option |
|--------|----------------|
| Nil | None |
| B | With bracket*1 |

*1 Refer to page 63 for bracket assembly part nos.

Flow Rate Characteristics

| Size | Body material | Port size | Orifice diameter [mmø] | Flow rate characteristics*1 | | | | | | Max. operating pressure differential [MPa] | Model | Weight*2 [g] | |
|------|------------------------|-----------|------------------------|------------------------------|------|-----|-----------------------------------|------------|---------------|--|-------------|--------------|-----|
| | | | | Air | | | | Water, Oil | | | | | |
| | | | | C [dm ³ /(s·bar)] | b | Cv | Effective area [mm ²] | Kv | Conversion Cv | | | | |
| 30 | Aluminum | 1/4 | 10 | 8.5 | 0.44 | 2.4 | — | — | 1.0 | JSXZ31-A□02 | 580 | | |
| | | 3/8 | | 9.3 | 0.43 | 2.6 | | | | | | | |
| | Brass, Stainless steel | 1/4 | | 8.5 | 0.44 | 2.4 | | | | | | 1.6 | 1.9 |
| | | 3/8 | | 9.3 | 0.43 | 2.6 | | | | | | 2.0 | 2.4 |
| 40 | Brass, Stainless steel | 1/2 | 15 | 23 | 0.34 | 6.0 | — | — | — | JSXZ41-□□04 | 820 | | |
| 50 | Brass, Stainless steel | 3/4 | 20 | 36 | 0.26 | 9.4 | — | — | — | JSXZ51-□□06 | 1200 | | |
| 60 | Brass, Stainless steel | 1 | 25 | — | — | — | 185 | 8.7 | 10.2 | — | JSXZ61-□□10 | 1400 | |

*1 The flow rate characteristics of this product vary.

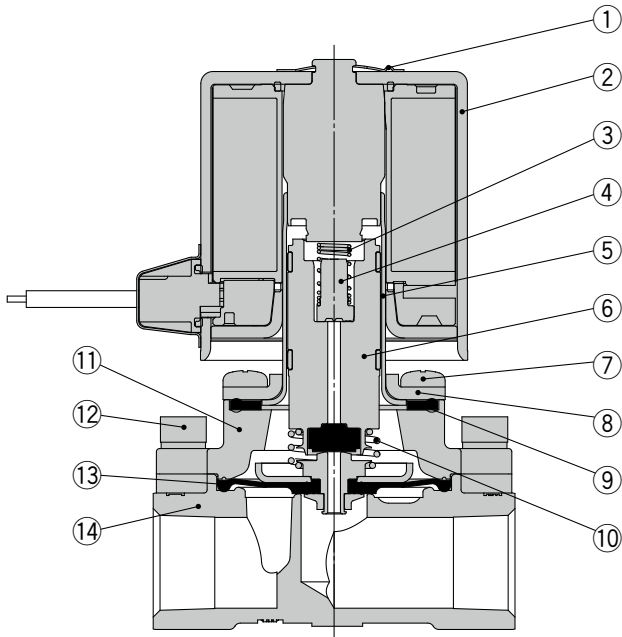
*2 Indicates case of grommet type. Add 20 g for the grommet type with PCB, 70 g for the conduit type, 50 g for the DIN terminal type, and 15 g for the M12 connector type.

Applicable Fluid Checklist

| Applicable fluid | Seal material | | |
|------------------|---------------|-----|------|
| | NBR | FKM | EPDM |
| Air | ● | ● | ● |
| Water | ● | ● | ● |
| Oil | — | ● | — |

* The list shows the compatibility between general fluids and the seal materials. Consider the operating environment and application sufficiently before selecting the seal material. Fluid and component compatibility should be checked before use. If something is not clear, please contact SMC.

Construction



Component Parts

| No. | Description | Material | | |
|-----|--------------------|---------------------------------------|-------|-----------------|
| | | Aluminum*1 | Brass | Stainless steel |
| 1 | Clip | Stainless steel | | |
| 2 | Solenoid coil | Stainless steel, Cu, Resin | | |
| 3 | Spring | Stainless steel | | |
| 4 | Stopper | PPS | | |
| 5 | Tube assembly | Stainless steel | | |
| 6 | Armature assembly | Stainless steel, PPS, NBR (FKM, EPDM) | | |
| 7 | Mounting screw | Fe | | |
| 8 | Bonnet | Stainless steel | | |
| 9 | Gasket | NBR (FKM, EPDM) | | |
| 10 | Lift spring | Stainless steel | | |
| 11 | Bonnet | Aluminum | Brass | Stainless steel |
| 12 | Bolt | Fe | | |
| 13 | Diaphragm assembly | Stainless steel, NBR (FKM, EPDM) | | |
| 14 | Body | Aluminum | Brass | Stainless steel |

*1 Size 30 only

Common Specifications

| Series | | 30 | 40 | 50 | 60 | |
|-----------------------|--|----------------------------------|---|--|----|--|
| Valve specifications | Body material | Aluminum | Brass, Stainless steel | Brass, Stainless steel | | |
| | Valve construction | Pilot operated diaphragm | | | | |
| | Valve type | Normally closed (N.C.) | | | | |
| | Fluid and fluid temperature | Air*1 | -10 to 60°C | | | |
| | | Water, Oil | — | Water: 1 to 60°C (No freezing), Oil: -5 to 60°C (Kinematic viscosity: 50 mm ² /s or less) | | |
| | Withstand pressure | 2 MPa | | | | |
| | Max. system pressure | 1 MPa | | | | |
| | Ambient temperature | -20 to 60°C | | | | |
| | Valve leakage*2/ External leakage*2 | Air | 15 cm ³ /min (ANR) or less | 1 cm ³ /min (ANR) or less | | |
| | | Water, Oil | — | 0.1 cm ³ /min or less | | |
| | Enclosure*3 | IP67 (IP65 for the DIN terminal) | | | | |
| | Standards*4 | CE/UKCA | | | | |
| Operating environment | Indoors, Location without the presence of corrosive gases, explosive gases, or constant water adhesion | | | | | |
| Seal material | NBR, FKM, EPDM | | | | | |
| Coil specifications | Rated voltage | AC | 24 V, 48 V, 100 V, 110 V, 120 V, 200 V, 220 V, 230 V, 240 V | | | |
| | | DC | 12 V, 24 V | | | |
| | Allowable voltage fluctuation | ±10% of the rated voltage | | | | |
| | Allowable leakage voltage | AC | 5% or less of the rated voltage | | | |
| | | DC | 2% or less of the rated voltage | | | |
| | Apparent power*5, *6 | AC | 9.5 VA | 16 VA | | |
| Power consumption*5 | DC | 8 W | 13 W | | | |
| Temperature rise*7 | AC/DC | 70/65°C | | 80/75°C | | |

*1 Dew point temperature: -10°C or less

*2 Leakage: The value at a differential pressure of 0.01 MPa or higher and an ambient temperature of 20°C

*3 This product has an IP67 enclosure, but if water enters the product, it may result in malfunction or breakage.

Therefore, take appropriate measures to prevent water from entering the product when using in an environment where it is constantly exposed to water.

*4 Standards compliance varies depending on the model. For details, check the standards compliance of each part number.

*5 Power consumption/Apparent power: The value at an ambient temperature of 20°C and when the rated voltage is applied (Variation: ±10%)

*6 There is no difference in the frequency and the inrush and energized apparent power, since a rectifying circuit is used in the AC.

*7 Temperature rise: The value at an ambient temperature of 20°C and when the rated voltage is applied. Use this value as a reference as the actual value varies depending on the ambient environment.

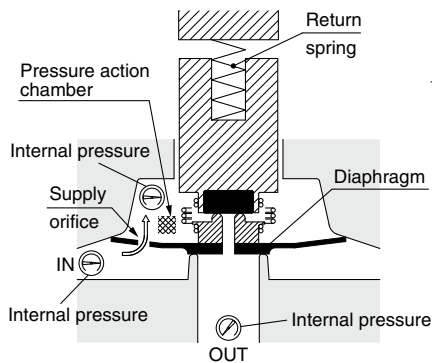
Be sure to read the "Specific Product Precautions" before handling the product.

⚠ When the differential pressure is less than 0.01 MPa, operation may become unstable. Please contact SMC in case of low-flow operation. (Refer to page 67.)

Working Principle

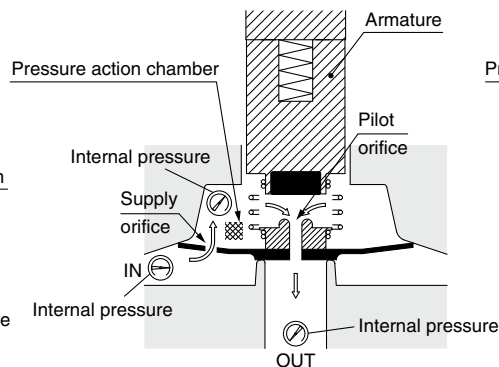
De-energized

The fluid enters from the IN goes through the supply orifice to fill the pressure action chamber. Main valve is closed by the pressure in the pressure action chamber and the reaction force of the return spring.



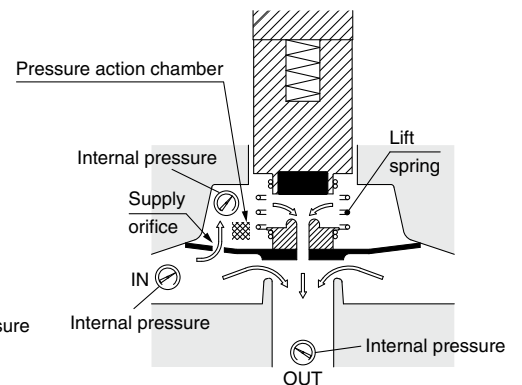
Energized (Pilot valve open)

When the coil is energized, the armature is attracted causing the pilot orifice to opening. The fluid filling the pressure action chamber flows to the OUT side through the pilot orifice.



Energized (Main valve open)

The pressure in the pressure action chamber decreases by discharging fluid through the pilot orifice. Because the force which pushes down the valve is reduced by the discharge of the fluid, the force that pushes up the main valve overcomes the push down force and opens the main valve. The main valve opens by the lift spring reaction force even if pressure on the IN side is 0 MPa or very low pressure.



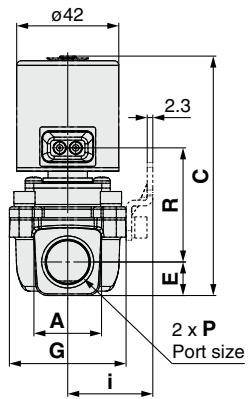
⚠ Warning

Unstable flow may occur with the product under the following conditions: • low flow from the pump or compressor, etc. • use of several elbows or tees in the circuit, or • thin nozzles installed at the end of the piping, etc. This can cause valve opening/closing failure, or oscillation, and cause a valve malfunction. If products are used with vacuum, then the vacuum level can be unstable due to these conditions. Please contact SMC to check if the valve can be used in the application by providing the relevant fluid circuit.

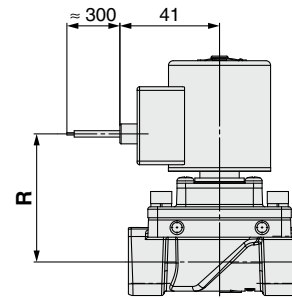
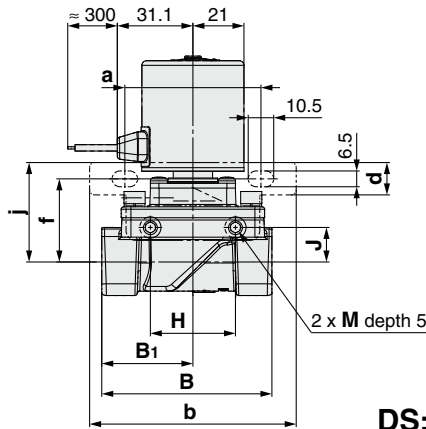
JSXZ30 Port Size 1/4, 3/8 Body Material Stainless Steel, Brass, Aluminum

Dimensions: **JSXZ40, 50, 60** Port Size 1/2, 3/4, 1 Body Material Stainless Steel, Brass

G: Grommet



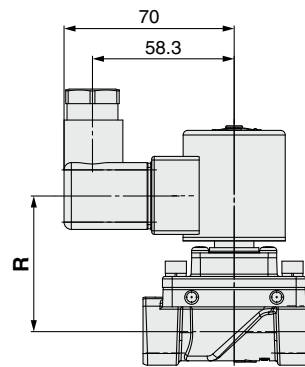
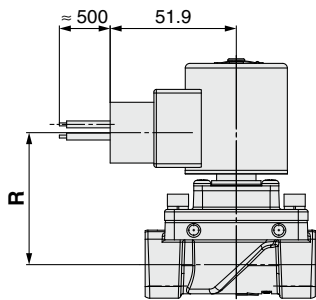
GS: Grommet with PCB



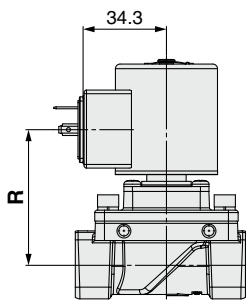
DS: DIN terminal

DZ: DIN terminal with light

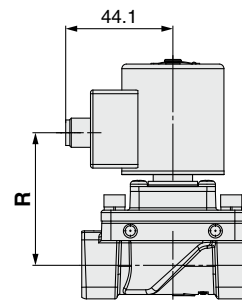
CS: Conduit



DN: DIN terminal without connector



WN: M12 connector without cable



| Size | Port size P | A | B | B ₁ | C | E | G | H | J | M |
|------|-------------|---------|----|----------------|-------|------|----|----|------|----|
| 30 | 1/4, 3/8 | 21 <22> | 57 | 28.5 | 89.8 | 10.5 | 40 | 35 | 10 | M5 |
| 40 | 1/2 | 28 | 70 | 37.5 | 98.5 | 13.8 | 48 | 35 | 14.2 | M5 |
| 50 | 3/4 | 33.5 | 71 | 38.5 | 104.6 | 16.7 | 62 | 33 | 15.2 | M6 |
| 60 | 1 | 42 | 95 | 49.5 | 110.6 | 19.8 | 66 | 37 | 19.2 | M6 |

The value in < > is for the aluminum body.

| Size | Grommet | Grommet with PCB | Conduit | DIN terminal | DIN terminal without connector | M12 connector without cable |
|------|---------|------------------|---------|--------------|--------------------------------|-----------------------------|
| | R | R | R | R | R | R |
| 30 | 41.6 | 47.3 | 48.9 | 50.4 | 50.4 | 49.2 |
| 40 | 47 | 52.7 | 54.3 | 55.8 | 55.8 | 54.6 |
| 50 | 50.2 | 55.9 | 57.5 | 59 | 59 | 57.8 |
| 60 | 53.1 | 58.8 | 60.4 | 61.9 | 61.9 | 60.7 |

| Size | a | b | d | f | i | j |
|------|------|----|------|------|----|------|
| 30 | 56 | 85 | 13.3 | 30 | 31 | 36.7 |
| 40 | 56 | 85 | 13.3 | 34.2 | 35 | 40.9 |
| 50 | 70.5 | 92 | 18 | 39 | 43 | 45.7 |
| 60 | 70.5 | 92 | 18 | 43 | 45 | 49.7 |

JSX Series
JSXD Series
JSXZ Series
JSXM Series
Table of UL-compliant Products
Option
Replacement Parts
Glossary of Terms
Flow Rate Characteristics
Specific Product Precautions

Modular Mounting Type 2-Port Solenoid Valve JSXM Series



Differs depending on the voltage and electrical entry. For details, refer to table 9 below.

How to Order

JSXM **2** **1** - **A** **N** **301** **R** - **5** **G** - **U** - **F** - **D**

① ② ③ ④ ⑤ ⑥ ⑦ ⑧ ⑨ ⑩ ⑪



① Size

| Symbol | Size |
|--------|------|
| 2 | 20 |
| 3 | 30 |
| 4 | 40 |

② Valve type

| Symbol | Valve type |
|--------|------------|
| 1 | N.C. |

③ Body material

| Symbol | Body material |
|--------|---------------|
| A | Aluminum |

④ Seal material

| Symbol | Seal material |
|--------|---------------|
| N | NBR |
| F | FKM |

⑤ Orifice diameter and port size

| Symbol | Orifice diameter [mmø] | Port size | Size | | |
|--------|------------------------|-----------|------|----|----|
| | | | 20 | 30 | 40 |
| 301 | 3.2 | 1/8 | ● | — | — |
| 302 | | 1/4 | ● | — | — |
| 402 | 4.0 | 1/4 | — | ● | ● |
| 403 | | 3/8 | — | ● | ● |
| 404 | | 1/2 | — | — | ● |

⑥ Thread type

| Symbol | Thread type |
|--------|-------------|
| R | Rc |
| N | NPT |
| F | G |

⑦ Rated voltage

| AC | | | | DC | |
|--------|---------------|--------|---------------|--------|---------------|
| Symbol | Rated voltage | Symbol | Rated voltage | Symbol | Rated voltage |
| 1 | 100 VAC | 7 | 240 VAC | 5 | 24 VDC |
| 2 | 200 VAC | 8 | 48 VAC | 6 | 12 VDC |
| 3 | 120 (110) VAC | B | 24 VAC | | |
| 4 | 220 VAC | J | 230 VAC | | |

⑧ Electrical entry

| Symbol | Electrical entry | CE/UKCA-compliant |
|--------|--|---|
| G | Grommet*1 | 12 VDC 24 VDC |
| GS | Grommet with PCB (With surge voltage suppressor) | 100 VAC 24 VDC 12 VDC 48 VAC 24 VAC |
| CS | Conduit (With surge voltage suppressor) | All voltages |
| DS | DIN terminal (With surge voltage suppressor) | All voltages |
| DZ | DIN terminal with light (With surge voltage suppressor) | All voltages |
| DN | DIN terminal without connector (With surge voltage suppressor) | All voltages |
| WN | M12 connector without cable (With surge voltage suppressor)*2 | All voltages |

*1 DC voltage only

*2 A cable for the M12 connector is not included with the product. Refer to the "Option" on page 51 to order it separately.

⑨ Coil orientation

| Symbol | Orientation |
|--------|-------------|
| Nil | Upward |
| U | Downward |

⑩ Blow port position

Coil orientation: Upward (When "Nil" is selected for ⑨) Coil orientation: Downward (When "U" is selected for ⑨)

| Symbol | Position | Symbol | Position |
|--------|----------|--------|----------|
| Nil | Bottom | Nil | Top |
| F | Front | F | Front |

⑪ Oil-free option

| Symbol | Option |
|--------|----------|
| Nil | None |
| D | Oil-free |

Simple Specials System

A system designed to respond quickly and easily to your special ordering needs

For modular connection units (shipped assembled), the simple specials system can be used.



Short lead times

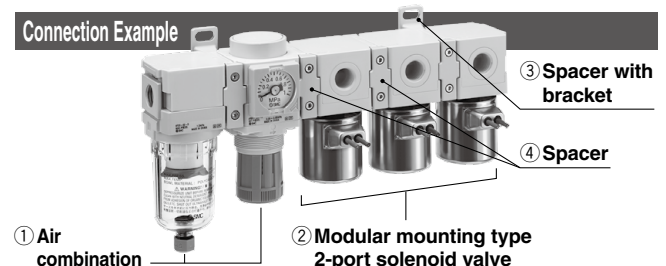
This system enables us to respond to your special needs (additional machining, accessory assembly, or the designing of a modular unit) and deliver your personalized products as quickly as standard products.

Please contact your local sales representative for more details.

Repeat orders

Once we receive a simple special part number from one of your previous orders, we will process the order, manufacture the product, and deliver it to you as quickly as possible.

Connection Example



Ordering Example

| | |
|--|--------|
| ① Air combination AC20B-02E-D | 1 pc. |
| ② Modular mounting type 2-port solenoid valve JSXM21-AN302R-5G-U-F | 3 pcs. |
| ③ Spacer with bracket Y200T-D | 1 pc. |
| ④ Spacer Y200-D | 2 pcs. |

Flow Rate Characteristics

| Size | Port size | Orifice diameter [mmø] | Flow rate characteristics*1 | | | Max. operating pressure differential [MPa] | Model | Weight*2 [g] |
|------|-----------|------------------------|------------------------------|------|------|--|-------------|--------------|
| | | | Air | | | | | |
| | | | C [dm ³ /(s·bar)] | b | Cv | | | |
| 20 | 1/8 | 3.2 | 1.36 | 0.47 | 0.40 | 0.7 | JSXM21-A□01 | 300 |
| | 1/4 | | | | | | JSXM21-A□02 | 300 |
| 30 | 1/4 | 4.0 | 1.55 | 0.59 | 0.50 | 1.0 | JSXM31-A□02 | 500 |
| | 3/8 | | | | | | JSXM31-A□03 | 500 |
| 40 | 1/4 | 4.0 | 1.55 | 0.59 | 0.50 | 1.0 | JSXM41-A□02 | 630 |
| | 3/8 | | | | | | JSXM41-A□03 | 630 |
| | 1/2 | | | | | | JSXM41-A□04 | 630 |

*1 The flow rate characteristics of this product vary.

*2 Indicates case of grommet type

Add 20 g for the grommet type with PCB, 70 g for the conduit type, 50 g for the DIN terminal type, and 15 g for the M12 connector type.

Common Specifications

| Size | | 20 | 30 | 40 |
|----------------------|------------------------------------|---|---|--------|
| Valve specifications | Valve construction | Direct operated poppet | | |
| | Valve type | Normally closed (N.C.) | | |
| | Fluid and fluid temperature | Air: -10 to 60°C (Dew point temperature: -10°C or less) | | |
| | Withstand pressure | 2 MPa | | |
| | Max. system pressure | 1 MPa | | |
| | Ambient temperature | -20 to 60°C | | |
| | Valve leakage*1/External leakage*1 | Air | 1 cm ³ /min (ANR) or less | |
| | Mounting orientation | Unrestricted | | |
| | Enclosure*2 | IP67 (IP65 for the DIN terminal) | | |
| | Standards*3 | CE/UKCA | | |
| | Operating environment | Location without the presence of corrosive gases, explosive gases, or constant water adhesion | | |
| Body material | Aluminum | | | |
| Seal material | NBR, FKM | | | |
| Coil specifications | Rated voltage | AC | 24 V, 48 V, 100 V, 110 V, 120 V, 200 V, 220 V, 230 V, 240 V | |
| | | DC | 12 V, 24 V | |
| | Allowable voltage fluctuation | ±10% of the rated voltage | | |
| | Allowable leakage voltage | AC | 5% or less of the rated voltage | |
| | | DC | 2% or less of the rated voltage | |
| | Apparent power*4, *5 | AC | 8 VA | 9.5 VA |
| Power consumption*4 | DC | 6 W | 8 W | |
| Temperature rise*6 | AC/DC | 70/65°C | | |

*1 Leakage: The value at a differential pressure of 0.01 MPa or higher and an ambient temperature of 20°C

*2 This product has an IP67 enclosure, but if water enters the product, it may result in malfunction or breakage.

Therefore, take appropriate measures to prevent water from entering the product when using in an environment where it is constantly exposed to water.

*3 Standards compliance varies depending on the model. For details, refer to page 39.

*4 Power consumption/Apparent power: The value at an ambient temperature of 20°C and when the rated voltage is applied (Variation: ±10%)

*5 There is no difference in the frequency and the inrush and energized apparent power, since a rectifying circuit is used in the AC.

*6 Temperature rise: The value at an ambient temperature of 20°C and when the rated voltage is applied. Use this value as a reference as the actual value varies depending on the ambient environment.

Be sure to read "Specific Product Precautions" before handling the product.

JSX Series

JSXD Series

JSXZ Series

JSXM Series

Table of UL-compliant Products

Option

Replacement Parts

Glossary of Terms

Flow Rate Characteristics

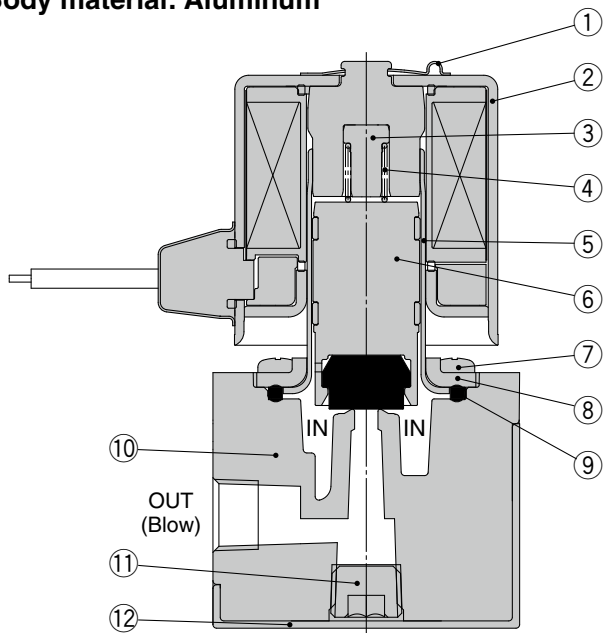
Specific Product Precautions

JSXM Series

Construction

JSXM20, 30, 40, Normally closed (N.C.)

Body material: Aluminum

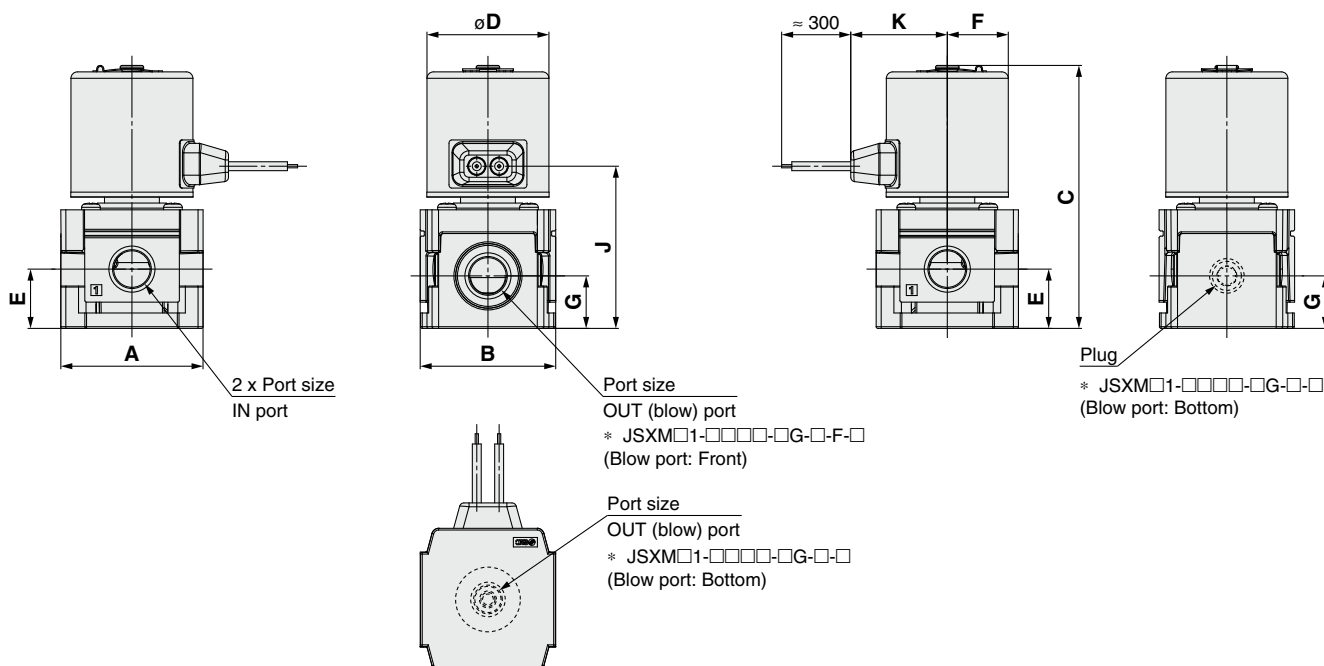


Component Parts

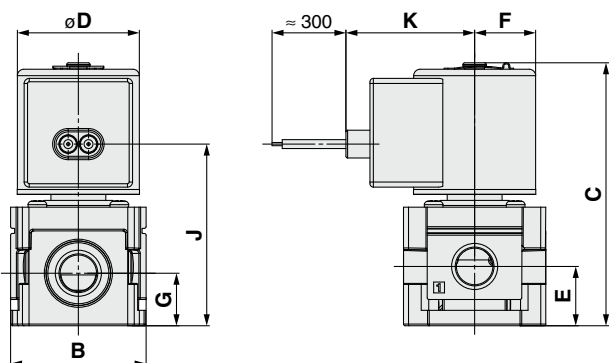
| No. | Description | Material |
|-----|-------------------|----------------------------------|
| 1 | Clip | Stainless steel |
| 2 | Solenoid coil | Stainless steel, Cu, Resin |
| 3 | Stopper | PPS |
| 4 | Spring | Stainless steel |
| 5 | Tube assembly | Stainless steel |
| 6 | Armature assembly | Stainless steel, PPS, NBR, (FKM) |
| 7 | Screw | Fe |
| 8 | Bonnet | Stainless steel |
| 9 | Gasket | NBR, (FKM) |
| 10 | Body | Aluminum |
| 11 | Plug | Fe |
| 12 | Cover | POM |

Dimensions

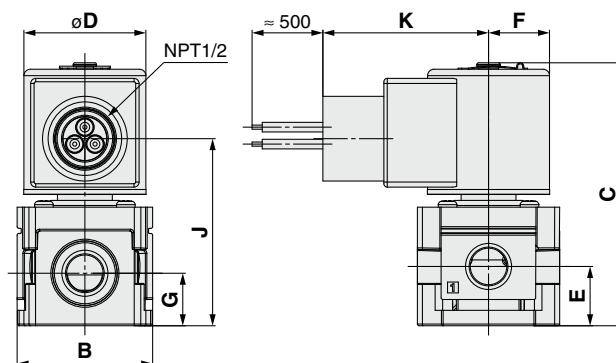
G: Grommet



GS: Grommet with PCB



CS: Conduit



[mm]

| Size | Port size | A | B | C | D | E | F | G |
|------|---------------|----|----|-------|----|------|----|------|
| 20 | 1/8, 1/4 | 42 | 40 | 77.6 | 36 | 17.5 | 18 | 15.5 |
| 30 | 1/4, 3/8 | 53 | 53 | 94.5 | 42 | 21.5 | 21 | 18 |
| 40 | 1/4, 3/8, 1/2 | 71 | 70 | 102.5 | 42 | 25.5 | 21 | 22.5 |

| Size | Port size | Grommet | | Grommet with PCB | | Conduit | |
|------|---------------|---------|------|------------------|----|---------|------|
| | | J | K | J | K | J | K |
| 20 | 1/8, 1/4 | 47.9 | 28.5 | 53.6 | 38 | 55.2 | 48.9 |
| 30 | 1/4, 3/8 | 56.8 | 31.1 | 62.5 | 41 | 64.1 | 51.9 |
| 40 | 1/4, 3/8, 1/2 | 64.8 | 31.1 | 70.5 | 41 | 72.1 | 51.9 |

- JSX Series
- JSXD Series
- JSXZ Series
- JSXM Series
- Table of UL-compliant Products
- Option
- Replacement Parts
- Glossary of Terms
- Flow Rate Characteristics
- Specific Product Precautions

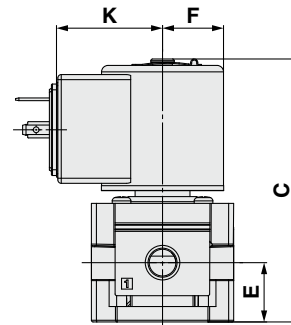
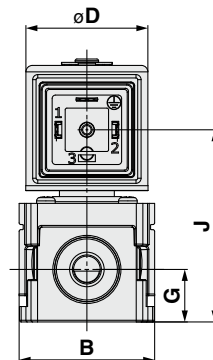
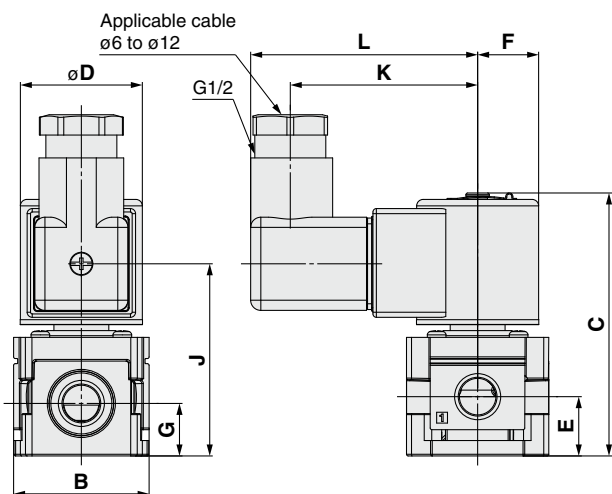
JSXM Series

Dimensions

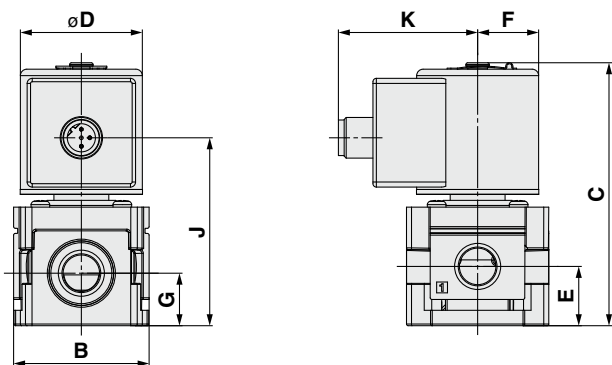
DS: DIN terminal

DS: DIN terminal with light

DN: DIN terminal without connector



WN: M12 connector



[mm]

| Size | Port size | A | B | C | D | E | F | G |
|------|---------------|----|----|-------|----|------|----|------|
| 20 | 1/8, 1/4 | 42 | 40 | 77.6 | 36 | 17.5 | 18 | 15.5 |
| 30 | 1/4, 3/8 | 53 | 53 | 94.5 | 42 | 21.5 | 21 | 18 |
| 40 | 1/4, 3/8, 1/2 | 71 | 70 | 102.5 | 42 | 25.5 | 21 | 22.5 |

| Size | Port size | DIN terminal | | | DIN terminal without connector | | M12 connector | |
|------|---------------|--------------|------|----|--------------------------------|------|---------------|------|
| | | J | K | L | J | K | J | K |
| 20 | 1/8, 1/4 | 56.7 | 55.3 | 67 | 56.7 | 31.3 | 55.5 | 41.1 |
| 30 | 1/4, 3/8 | 65.6 | 58.3 | 70 | 65.6 | 34.3 | 64.4 | 44.1 |
| 40 | 1/4, 3/8, 1/2 | 73.6 | 58.3 | 70 | 73.6 | 34.3 | 72.4 | 44.1 |

JSXM Series

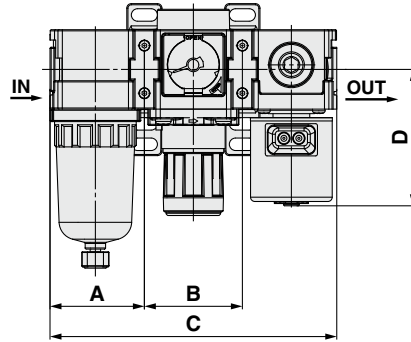
Modular Connection Examples (Dimensions)

Please note that products do not come assembled. They should be ordered separately and assembled by the customer.

For modular connection units (shipped assembled), the simple specials system can be used. For details, refer to page 5.

Combination example ①

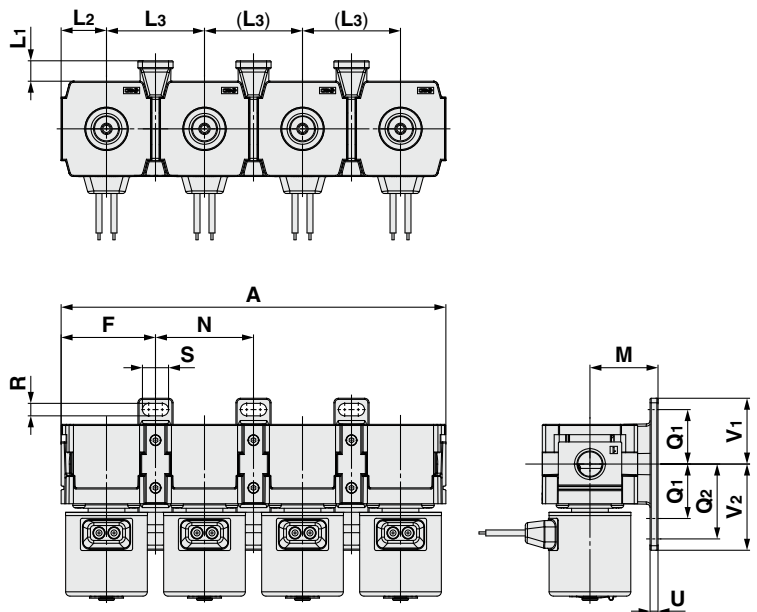
Air combination AC20B-02E-D ————— 1 pc.
 Spacer with bracket Y200T-D ————— 1 pc.
 Modular mounting type 2-port solenoid valve
 JSXM21-AN301R-5G-U-F ————— 1 pc.



| Applicable air combination model | A | B | C | D |
|----------------------------------|------|------|-------|-------|
| AC20-D | 41.6 | 43.2 | 126.4 | 60.12 |
| AC30-D | 55.1 | 57.2 | 167.4 | 73.01 |
| AC40-D | 72.6 | 75.2 | 220.3 | 77.01 |

Combination example ②

Modular mounting type 2-port solenoid valve
 JSXM21-AN301R-5G-U ————— 4 pcs.
 Spacer with bracket Y200T-D ————— 3 pcs.



| Series | Bracket mount dimensions | | | | | | | | | | | | | |
|--------|--------------------------|-------|------|------|------|----|------|----|----|-----|------|-----|------|------|
| | A | F | L1 | L2 | L3 | M | N | Q1 | Q2 | R | S | U | V1 | V2 |
| JSXM20 | 169.6 | 41.6 | 9 | 20 | 43.2 | 30 | 43.2 | 24 | 33 | 5.5 | 11.5 | 3.5 | 29 | 38 |
| JSXM30 | 224.6 | 55.1 | 14.5 | 26.4 | 57.2 | 41 | 57.2 | 35 | — | 7 | 14 | 6 | 42.5 | 42.5 |
| JSXM40 | 295.3 | 72.55 | 14.5 | 34.9 | 75.1 | 50 | 75.1 | 40 | 55 | 9 | 18 | 7 | 50 | 65 |

JSX Series

JSXD Series

JSXZ Series

JSXM Series

Table of UL-compliant Products

Option

Replacement Parts

Glossary of Terms

Flow Rate Characteristics

Specific Product Precautions

JSXM Series

Spacer / Spacer with Bracket

Spacer / Spacer with Bracket

Y 300 - D

① ②

| | | | | | | |
|---|---------|--------|---------------------|--------------------------------|-----------------|-----------------|
| | | Symbol | Description | ① | | |
| | | | | Body size [Applicable size] | | |
| | | | | 200 [JSXM20] | 300 [JSXM30] | 400 [JSXM40] |
| ② | Bracket | Nil | Spacer | ● | ● | ● |
| | | T | Spacer with bracket | ● | ● | ● |

Spacer
(Y□-D)



Spacer with bracket
(Y□T-D)



Standard Specifications

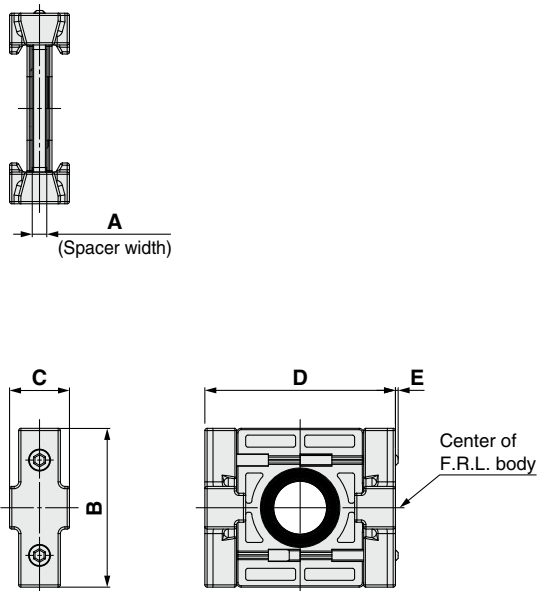
| | |
|--------------------------------|--------------------------|
| Fluid | Air |
| Ambient and fluid temperatures | -5 to 60°C (No freezing) |
| Proof pressure | 1.5 MPa |
| Max. operating pressure | 1.0 MPa |

Replacement Parts

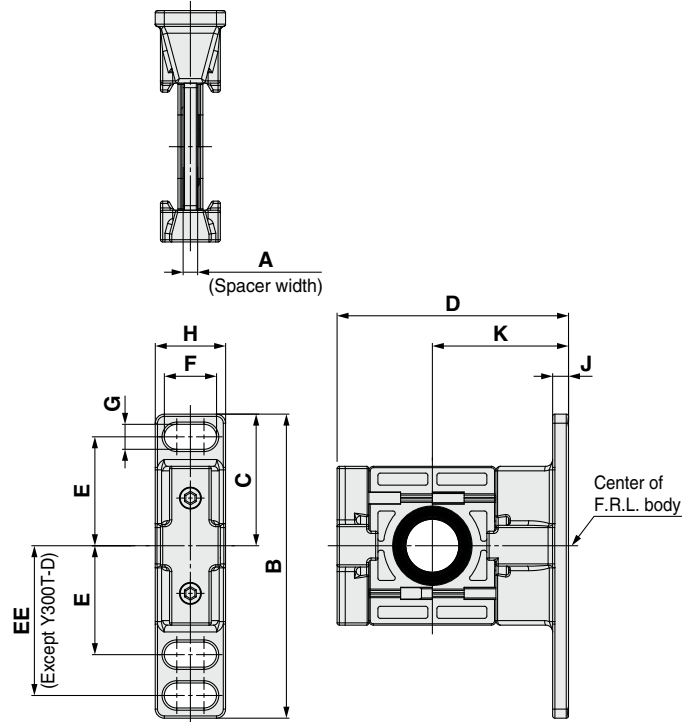
| Description | Material | Part number | | |
|-------------|----------|-------------------|-------------------|-------------------|
| | | Y200-D Y200T-D | Y300-D Y300T-D | Y400-D Y400T-D |
| Seal | HNBR | Y220P-050S | Y320P-050S | Y420P-050S |

Dimensions

Spacer



Spacer with bracket



| Part no. | A | B | C | D | E | Applicable size |
|----------|-----|----|------|----|-----|-----------------|
| Y200-D | 3.2 | 35 | 13.2 | 42 | 0.6 | JSXM20 |
| Y300-D | 4.2 | 43 | 16.2 | 53 | — | JSXM30 |
| Y400-D | 5.2 | 51 | 19.2 | 71 | — | JSXM40 |

| Part no. | A | B | C | D | E | EE | F | G | H | J | K | Applicable size |
|----------|-----|-----|------|------|----|----|------|-----|------|-----|----|-----------------|
| Y200T-D | 3.2 | 67 | 29 | 51 | 24 | 33 | 11.5 | 5.5 | 15.5 | 3.5 | 30 | JSXM20 |
| Y300T-D | 4.2 | 85 | 42.5 | 67.5 | 35 | — | 14 | 7 | 20 | 6 | 41 | JSXM30 |
| Y400T-D | 5.2 | 115 | 50 | 85.5 | 40 | 55 | 18 | 9 | 26 | 7 | 50 | JSXM40 |

JSX10, 20, 30 Series

Table of UL-compliant Products

* Refer to the table below for UL-compliant products.

cUL[®] US Recognized

G Grommet  **GS** Grommet with PCB  **DN** DIN terminal without connector  **WN** M12 connector/ Without connector cable 

| JSX11 | Series/Valve type | Body material | Seal material | Orifice diameter/Port size | Thread type | Rated voltage | Electrical entry | Option |
|-------|-------------------|---------------|---------------|----------------------------|-------------|---------------|------------------|--------|
| | JSX11 | | S | | | | N | |
| | | | F | 201 | N | 2 | GS | |
| | | | E | | F | 3 | DN | |
| | | | | | | 4 | WN | |
| | | | | | | 5 | | |
| | | | | | | 6 | | |
| | | | | | | 7 | | |
| | | | | | | 8 | | |
| | | | | | | B | | |
| | | | | | | J | | |

| JSX21 | Series/Valve type | Body material | Seal material | Orifice diameter/Port size | Thread type | Rated voltage | Electrical entry | Option |
|-------|-------------------|---------------|---------------|----------------------------|-------------|---------------|------------------|--------|
| | JSX21 | | S | | | | N | |
| | | | F | 302 | N | 2 | GS | |
| | | | E | 303 | F | 3 | DN | |
| | | | | 402 | | 4 | WN | |
| | | | | 403 | | 5 | | |
| | | | | 502 | | 6 | | |
| | | | | 503 | | 7 | | |
| | | | | 702 | | 8 | | |
| | | | | 703 | | B | | |
| | | | | | | J | | |

| JSX31 | Series/Valve type | Body material | Seal material | Orifice diameter/Port size | Thread type | Rated voltage | Electrical entry | Option |
|-------|-------------------|---------------|---------------|----------------------------|-------------|---------------|------------------|--------|
| | JSX31 | | S | | | | N | |
| | | | F | 403 | N | 2 | GS | |
| | | | E | 502 | F | 3 | DN | |
| | | | | 503 | | 4 | WN | |
| | | | | 702 | | 5 | | |
| | | | | 703 | | 6 | | |
| | | | | | | 7 | | |
| | | | | | | 8 | | |
| | | | | | | B | | |
| | | | | | | J | | |

*1 Only applicable to rated voltage symbols "5" and "6"

cUL[®] US LISTED

CS Conduit 

| JSX21 | Series/Valve type | Body material | Seal material | Orifice diameter/Port size | Thread type | Rated voltage | Electrical entry | Option |
|-------|-------------------|---------------|---------------|----------------------------|-------------|---------------|------------------|--------|
| | JSX21 | | S | | | | N | |
| | | | F | 302 | N | 2 | | |
| | | | E | 303 | F | 3 | | |
| | | | | 402 | | 4 | | |
| | | | | 403 | | 5 | | |
| | | | | 502 | | 6 | | |
| | | | | 503 | | 7 | | |
| | | | | 702 | | 8 | | |
| | | | | 703 | | B | | |
| | | | | | | J | | |

| JSX31 | Series/Valve type | Body material | Seal material | Orifice diameter/Port size | Thread type | Rated voltage | Electrical entry | Option |
|-------|-------------------|---------------|---------------|----------------------------|-------------|---------------|------------------|--------|
| | JSX31 | | S | | | | N | |
| | | | F | 403 | N | 2 | | |
| | | | E | 502 | F | 3 | | |
| | | | | 503 | | 4 | | |
| | | | | 702 | | 5 | | |
| | | | | 703 | | 6 | | |
| | | | | | | 7 | | |
| | | | | | | 8 | | |
| | | | | | | B | | |
| | | | | | | J | | |

JSX Series
JSXD Series
JSXZ Series
JSXM Series
Table of UL-compliant Products
Option
Replacement Parts
Glossary of Terms
Flow Rate Characteristics
Specific Product Precautions

JSXD30, 40, 50, 60, 70, 80, 90 Series

Table of UL-compliant Products

* Refer to the table below for UL-compliant products.



Recognized

G*1
Grommet



*1 Only applicable to rated voltage symbols "5" and "6"

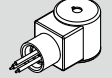
GS
Grommet with PCB



DN
Without DIN connector



CS*2
Conduit



*2 Only applicable to the flange type in sizes 70, 80, and 90

WN
M12 connector/
Without connector cable



JSXD31

| Series/ Valve type | Body material | Seal material | Port size | Thread type | Rated voltage | Electrical entry | Oil-free option | Bracket option |
|-----------------------|---------------|---------------|-----------|-------------|---------------|------------------|-----------------|----------------|
| JSXD31 | C | N | 02 | R | 1 | G | None | None |
| | S | F | | N | 2 | GS | | |
| | A | E*3 | 04 | F | 3 | DN | | |
| | | | | | 4 | WN | | |
| | | | | | 5 | | | |
| | | | | | 6 | | | |
| | | | | | 7 | | | |
| | | | | | 8 | | | |
| | | | | | B | | | |
| | | | | | J | | | |

*3 Cannot be used in combination with body material symbol "A"

JSXD41

| Series/ Valve type | Body material | Seal material | Port size | Thread type | Rated voltage | Electrical entry | Oil-free option | Bracket option |
|-----------------------|---------------|---------------|-----------|-------------|---------------|------------------|-----------------|----------------|
| JSXD41 | C | N | 03 | R | 1 | G | None | None |
| | S | F | | N | 2 | GS | | |
| | | E | 04 | F | 3 | DN | | |
| | | | | | 4 | WN | | |
| | | | | | 5 | | | |
| | | | | | 6 | | | |
| | | | | | 7 | | | |
| | | | | | 8 | | | |
| | | | | | B | | | |
| | | | | | J | | | |

JSXD51

| Series/ Valve type | Body material | Seal material | Port size | Thread type | Rated voltage | Electrical entry | Oil-free option | Bracket option |
|-----------------------|---------------|---------------|-----------|-------------|---------------|------------------|-----------------|----------------|
| JSXD51 | C | N | 06 | R | 1 | G | None | None |
| | S | F | | N | 2 | GS | | |
| | | E | | F | 3 | DN | | |
| | | | | | 4 | WN | | |
| | | | | | 5 | | | |
| | | | | | 6 | | | |
| | | | | | 7 | | | |
| | | | | | 8 | | | |
| | | | | | B | | | |
| | | | | | J | | | |

JSXD61

| Series/ Valve type | Body material | Seal material | Port size | Thread type | Rated voltage | Electrical entry | Oil-free option | Bracket option |
|-----------------------|---------------|---------------|-----------|-------------|---------------|------------------|-----------------|----------------|
| JSXD61 | C | N | 10 | R | 1 | G | None | None |
| | S | F | | N | 2 | GS | | |
| | | E | | F | 3 | DN | | |
| | | | | | 4 | WN | | |
| | | | | | 5 | | | |
| | | | | | 6 | | | |
| | | | | | 7 | | | |
| | | | | | 8 | | | |
| | | | | | B | | | |
| | | | | | J | | | |

JSXD71

| Series/ Valve type | Body material | Seal material | Port size | Thread type | Rated voltage | Electrical entry | Oil-free option |
|-----------------------|---------------|---------------|-----------|-------------|---------------|------------------|-----------------|
| JSXD71 | B | N | 12 | R | 1 | G | None |
| | | F | | N | 2 | GS | |
| | | E | | F | 3 | DN | |
| | | | | | 4 | WN | |
| | | | | | 5 | | |
| | | | | | 6 | | |
| | | | | | 7 | | |
| | | | | | 8 | | |
| | | | | | B | | |
| | | | | | J | | |

JSXD30, 40, 50, 60, 70, 80, 90 Series

Table of UL-compliant Products

* Refer to the table below for UL-compliant products.



Recognized

G*1
Grommet



*1 Only applicable to rated voltage symbols "5" and "6"

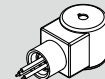
GS
Grommet with PCB



DN
Without DIN connector



CS*2
Conduit



*2 Only applicable to the flange type in sizes 70, 80, and 90

WN
M12 connector/
Without connector cable



| Series/ Valve type | Body material | Seal material | Port size | Thread type | Rated voltage | Electrical entry | Oil-free option |
|-----------------------|---------------|---------------|-----------|-------------|---------------|------------------|-----------------|
| JSXD71 | B | N | 32 | | 1 | G | None |
| | | F | | | | D | |
| | | E | | | 2 | GS | |
| | | | | | 3 | DN | |
| | | | | | 4 | CS | |
| | | | | | 5 | WN | |
| | | | | | 6 | | |
| | | | | | 7 | | |
| | | | | | 8 | | |
| | | | | | B | | |
| | | | | | J | | |
| JSXD81 | B | N | 14 | R | 1 | G | None |
| | | F | | D | | | |
| | | E | | N | 2 | GS | |
| | | | | F | 3 | DN | |
| | | | | | 4 | WN | |
| | | | | | 5 | | |
| | | | | | 6 | | |
| | | | | | 7 | | |
| | | | | | 8 | | |
| | | | | | B | | |
| | | | | | J | | |
| JSXD81 | B | N | 40 | | 1 | G | None |
| | | F | | | | D | |
| | | E | | | 2 | GS | |
| | | | | | 3 | DN | |
| | | | | | 4 | CS | |
| | | | | | 5 | WN | |
| | | | | | 6 | | |
| | | | | | 7 | | |
| | | | | | 8 | | |
| | | | | | B | | |
| | | | | | J | | |
| JSXD91 | B | N | 20 | R | 1 | G | None |
| | | F | | D | | | |
| | | E | | N | 2 | GS | |
| | | | | F | 3 | DN | |
| | | | | | 4 | WN | |
| | | | | | 5 | | |
| | | | | | 6 | | |
| | | | | | 7 | | |
| | | | | | 8 | | |
| | | | | | B | | |
| | | | | | J | | |
| JSXD91 | B | N | 50 | | 1 | G | None |
| | | F | | | | D | |
| | | E | | | 2 | GS | |
| | | | | | 3 | DN | |
| | | | | | 4 | CS | |
| | | | | | 5 | WN | |
| | | | | | 6 | | |
| | | | | | 7 | | |
| | | | | | 8 | | |
| | | | | | B | | |
| | | | | | J | | |

- JSX Series
- JSXD Series
- JSXZ Series
- JSXM Series
- Table of UL-compliant Products
- Option
- Replacement Parts
- Glossary of Terms
- Flow Rate Characteristics
- Specific Product Precautions

JSXD30, 40, 50, 60, 70, 80, 90 Series

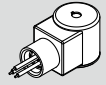
Table of UL-compliant Products

* Refer to the table below for UL-compliant products.



Listed

CS*1
Conduit



*1 Excludes the flange type in sizes 70, 80, and 90

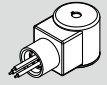
| Series/Valve type | Body material | Seal material | Port size | Thread type | Rated voltage | Electrical entry | Oil-free option | Bracket option |
|--|---------------|---------------|-----------|-------------|---------------|------------------|-----------------|----------------|
| JSXD31 | C | N | 02 | R | 1 | CS | None | None |
| | S | F | 03 | N | 2 | | D | B |
| | A | E*2 | 04 | F | 3 | | | |
| | | | | | 4 | | | |
| | | | | | 5 | | | |
| | | | | | 6 | | | |
| | | | | | 7 | | | |
| | | | | | 8 | | | |
| | | | | | B | | | |
| | | | | | J | | | |
| *2 Cannot be used in combination with body material symbol "A" | | | | | | | | |
| JSXD41 | C | N | 03 | R | 1 | CS | None | None |
| | S | F | 04 | N | 2 | | D | B |
| | | E | | F | 3 | | | |
| | | | | | 4 | | | |
| | | | | | 5 | | | |
| | | | | | 6 | | | |
| | | | | | 7 | | | |
| | | | | | 8 | | | |
| | | | | | B | | | |
| | | | | | J | | | |
| JSXD51 | C | N | 06 | R | 1 | CS | None | None |
| | S | F | | N | 2 | | D | B |
| | | E | F | 3 | | | | |
| | | | | 4 | | | | |
| | | | | 5 | | | | |
| | | | | 6 | | | | |
| | | | | 7 | | | | |
| | | | | 8 | | | | |
| | | | | B | | | | |
| | | | | J | | | | |
| JSXD61 | C | N | 10 | R | 1 | CS | None | None |
| | S | F | | N | 2 | | D | B |
| | | E | F | 3 | | | | |
| | | | | 4 | | | | |
| | | | | 5 | | | | |
| | | | | 6 | | | | |
| | | | | 7 | | | | |
| | | | | 8 | | | | |
| | | | | B | | | | |
| | | | | J | | | | |
| JSXD71 | B | N | 12 | R | 1 | CS | None | |
| | | F | | N | 2 | | D | |
| | | E | | F | 3 | | | |
| | | | | 4 | | | | |
| | | | | 5 | | | | |
| | | | | 6 | | | | |
| | | | | 7 | | | | |
| | | | | 8 | | | | |
| | | | | B | | | | |
| | | | | J | | | | |

Table of UL-compliant Products **JSXD Series**



Listed

CS*1
Conduit



*1 Excludes the flange type in sizes 70, 80, and 90

| Series/ Valve type | Body material | Seal material | Port size | Thread type | Rated voltage | Electrical entry | Oil-free option |
|-----------------------|---------------|---------------|-----------|-------------|---------------|------------------|-----------------|
| | | | | | | | |
| JSXD81 | B | N | 14 | R | 1 | CS | None |
| | | F | | N | 2 | | |
| | | E | | F | 3 | | |
| | | | | | 4 | | |
| | | | | | 5 | | |
| | | | | | 6 | | |
| | | | | | 7 | | |
| | | | | | 8 | | |
| | | | | | B | | |
| | | | | | J | | |
| JSXD91 | B | N | 20 | R | 1 | CS | None |
| | | F | | N | 2 | | |
| | | E | | F | 3 | | |
| | | | | | 4 | | |
| | | | | | 5 | | |
| | | | | | 6 | | |
| | | | | | 7 | | |
| | | | | | 8 | | |
| | | | | | B | | |
| | | | | | J | | |

JSX Series

JSXD Series

JSXZ Series

JSXM Series

Table of UL-compliant Products

Option

Replacement Parts

Glossary of Terms

Flow Rate Characteristics

Specific Product Precautions

JSX/JSX□ Series Option

Cable for M12 Connector (Female Connector with Cable)

The solenoid valve does not come with a cable for the M12 connector.
Please order it separately if necessary.

JSX022-30-**1**-**1**

● Specification

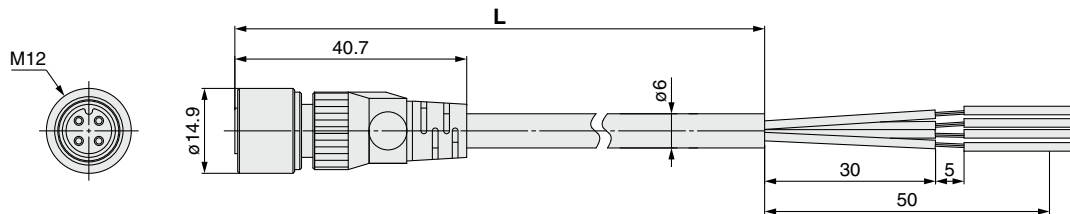
| | |
|---|-----------------|
| 1 | For DC voltages |
| 2 | For AC voltages |

● Cable length L [mm]

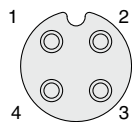
| | |
|---|------|
| 1 | 1000 |
| 2 | 2000 |
| 5 | 5000 |

Specifications

| Part number | | JSX022-30-1-□ | JSX022-30-2-□ |
|---|-----------------------------|----------------------------------|---------------|
| Key type | | A-coded | B-coded |
| Rating/Performance | Rated current | 4 A | |
| | Rated voltage | 250 V | |
| | Contact resistance | 40 mΩ or less | |
| | Insulation resistance | 1000 MΩ or more | |
| | Withstand voltage | 1500 VAC | |
| | Operating temperature range | -25 to 70°C | |
| | Min. bending radius (Fixed) | 50 mm | |
| | Protection class | IP67 (Only with screw tightened) | |
| Allowable repeated insertion/withdrawal | | 200 | |
| Material | Material of knurl | Brass (Ni plating) | |
| | Contact (Surface treatment) | Copper alloy (Au plating) | |
| | Connector material | PBT | |
| | Cover | Soft PBT | |

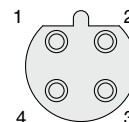


For DC voltages
(A-coded)

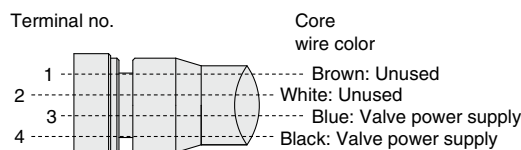


Socket connector
pin arrangement

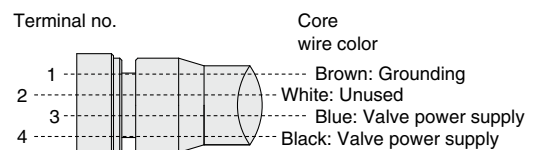
For AC voltages
(B-coded)



Socket connector
pin arrangement



Connections



Connections

* The solenoid valve has no polarity for DC voltages.
However, the high flow/ power saving type has
polarity. Refer to the "Electrical Circuits" on page 66.

JSX/JSX□ Series Replacement Parts

Solenoid Coil Assembly (Applicable to the JSX, JSXD, JSXZ, and JSXM series)

When ordering, be sure to add the “-KT1” suffix to the end of the part number of the valve currently in use.

JSX 2 1 - S N 101 R - 5 G - B - KT1

● Enter the standard product number.

- JSX (Stainless steel/Brass) p. 7
- JSX (Aluminum)..... p. 9
- JSX (High flow/ Power saving).... p. 11
- JSXD p. 25
- JSXZ..... p. 35
- JSXM p. 39

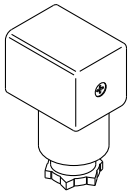
The solenoid coil assembly is shipped with a name plate with the valve part number printed on it. In addition, the name plate has the marks of all applicable standards printed on it.

For the solenoid coil assembly, eligibility for CE/UKCA marking and UL/CSA standard certification varies depending on the electrical entry type and the rated voltage.

When ordering a solenoid coil assembly with different specifications than the valve currently in use, refer to the “How to Order” in the catalog to confirm the status of standard compliance.

For solenoid coil replacement instructions, refer to the “Specific Product Precautions 8” on page 68.

DIN Connector Part No.



<For JSX20/30, JSXD, JSXM>

| Electrical option | Rated voltage | Connector part no. |
|-------------------|------------------|--------------------|
| None | 24 VDC | 3G-GDM2A |
| | 12 VDC | |
| | 100 VAC | |
| | 120 (110) VAC | |
| | 200 VAC | |
| | 220 VAC | |
| | 230 VAC | |
| | 240 VAC | |
| | 24 VAC | |
| 48 VAC | | |
| With light | 24 VDC | GDM2A-L5 |
| | 12 VDC | GDM2A-L6 |
| | 100 VAC | GDM2A-L1 |
| | 120 (110) VAC | GDM2A-L1 |
| | 200 VAC | GDM2A-L2 |
| | 220 VAC | GDM2A-L2 |
| | 230 VAC | GDM2A-L2 |
| | 240 VAC | GDM2A-L2 |
| | 24 VAC | GDM2A-L5 |
| 48 VAC | GDM2A-L15 | |

* Contact SMC for details on the type for the JSXZ series.

<For JSX10>

| Electrical option | Rated voltage | Connector part no. |
|-------------------|----------------------|----------------------|
| None | 24 VDC | JSX021-1-18 |
| | 12 VDC | |
| | 100 VAC | |
| | 120 (110) VAC | |
| | 200 VAC | |
| | 220 VAC | |
| | 230 VAC | |
| | 240 VAC | |
| | 24 VAC | |
| 48 VAC | | |
| With light | 24 VDC | SY100-82-3-05 |
| | 12 VDC | SY100-82-3-06 |
| | 100 VAC | SY100-82-2-01 |
| | 120 (110) VAC | SY100-82-2-03 |
| | 200 VAC | SY100-82-2-02 |
| | 220 VAC | SY100-82-2-04 |
| | 230 VAC | SY100-82-2-04 |
| 240 VAC | SY100-82-2-04 | |

* Contact SMC for details on the 24 and 48 VAC types with a light for the JSX10.

Gasket Part No. for DIN Connector

VCW20-1-29-1 (For JSX20/30, JSXD, JSXM)

* Contact SMC for details on the type for the JSXZ or JSX10.

Clip (Applicable to the JSX, JSXD, JSXZ, and JSXM series)

For JSX10 VDW20-10

For JSX20/30, JSXD, JSXZ, JSXM VX021N-10S

Pressure Terminology

1. Max. operating pressure differential

The max. pressure differential (the difference between the inlet and outlet pressure) which is allowed for operation. When the outlet pressure is 0 MPa, this becomes the max. operating pressure.

2. Min. operating pressure differential

The min. pressure differential (the difference between the inlet pressure and outlet pressure) required to keep the main valve fully open.

3. Max. system pressure

The max. pressure that can be applied inside the pipelines (line pressure).

[The pressure differential of the solenoid valve portion must not exceed the max. operating pressure differential.]

4. Withstand pressure

The pressure in which the valve must be withstood without a drop in performance after holding for one minute under prescribed pressure and returning to the operating pressure range. (value under the prescribed conditions)

Electrical Terminology

1. Apparent power (VA)

Volt-ampere is the product of voltage (V) and current (A).

Power consumption (W): For AC, $W = V \cdot A \cdot \cos \theta$.

For DC, $W = V \cdot A$.

* $\cos \theta$ shows power factor. $\cos \theta \approx 0.9$

2. Surge voltage

A high-voltage which is momentarily generated by shutting off the power in the shut-off area.

3. Degrees of protection

A degree defined in the "JIS C 0920: Waterproof test of electric machinery/appliance and the degree of protection against the intrusion of solid foreign objects."

IP - -

First digit Second digit

● First Digit:

Degree of protection against solid foreign objects

| | |
|---|---|
| 0 | Not protected |
| 1 | Protected against solid foreign objects of 50 mm ϕ and larger |
| 2 | Protected against solid foreign objects of 12 mm ϕ and larger |
| 3 | Protected against solid foreign objects of 2.5 mm ϕ and larger |
| 4 | Protected against solid foreign objects of 1.0 mm ϕ and larger |
| 5 | Dust protected |
| 6 | Dust-tight |

● Second Digit:

Degree of protection against water

| | | |
|---|--|-------------------------------|
| 0 | Not protected | — |
| 1 | Protected against vertically falling water droplets | Dripproof type 1 |
| 2 | Protected against vertically falling water droplets when enclosure is tilted up to 15° | Dripproof type 2 |
| 3 | Protected against rainfall when enclosure is tilted up to 60° | Rainproof type |
| 4 | Protected against splashing water | Splashproof type |
| 5 | Protected against water jets | Water-jet-proof type |
| 6 | Protected against powerful water jets | Powerful water-jet-proof type |
| 7 | Protected against the effects of temporary immersion in water | Immersible type |
| 8 | Protected against the effects of continuous immersion in water | Submersible type |

Others

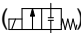
1. Material

NBR: Nitrile rubber

FKM: Fluororubber

EPDM: Ethylene propylene rubber

2. Symbol

In the symbol ()_W, when the valve is closed, flow is blocked from port 1 to port 2. However, if the pressure in port 2 is higher than port 1, the valve will not be able to block the fluid and it will flow from port 2 to port 1.

Solenoid Valve Flow Rate Characteristics

(How to indicate flow rate characteristics)

Scan the QR code to access software for easy flow rate calculation.
For details ▶



1. Indication of flow rate characteristics

The flow rate characteristics of equipment, such as a solenoid valve, etc., are indicated in their specifications as shown in Table (1).

Table (1) Indication of Flow Rate Characteristics

| Corresponding equipment | Indication by international standard | Other indications | Compliant standards |
|---------------------------------|--------------------------------------|-------------------|---|
| Pneumatic equipment | C, b | — | ISO 6358:1989 JIS B 8390:2000 |
| | — | S | JIS B 8390:2000 Equipment: JIS B 8379, 8381-1, 8381-2 |
| | | Cv | ANSI/(NFPA)T3.21.3 R1-2008 |
| Process fluid control equipment | Kv | — | IEC 60534-1:2005 IEC 60534-2-3:1997 JIS B 2005-1:2012 |
| | — | Cv | JIS B 2005-2-3:2004 Equipment: JIS B 8471, 8472, 8473 |

2. Pneumatic equipment

2.1 Indication according to the international standards

(1) Compliant standards

ISO 6358:1989 : Pneumatic fluid power—Components using compressible fluids—Determination of flow rate characteristics

JIS B 8390:2000 : Pneumatic fluid power—Components using compressible fluids—How to test flow rate characteristics

(2) Definition of flow rate characteristics

The flow rate characteristics are indicated as a result of a comparison between the sonic conductance **C** and the critical pressure ratio **b**.

Sonic conductance C : Value which divides the passing mass flow rate of a piece of equipment in a choked flow condition by the product of the upstream absolute pressure and the density in a standard condition.

Critical pressure ratio b : Pressure ratio (downstream pressure/upstream pressure) which will turn to a choked flow when the value is smaller than this ratio.

Choked flow : Flow in which the upstream pressure is higher than the downstream pressure and where sonic speed in a certain part of a piece of equipment is reached.

Gaseous mass flow rate is in proportion to the upstream pressure and not dependent on the downstream pressure.

Subsonic flow : Flow greater than the critical pressure ratio.

Standard condition : Air in a temperature state of 20°C, absolute pressure 0.1 MPa (= 100 kPa = 1 bar), relative humidity 65%.

It is stipulated by adding the “(ANR)” after the unit depicting air volume.

(Standard reference atmosphere)

Compliant standards: ISO 8778:1990 Pneumatic fluid power—Standard reference atmosphere, JIS B 8393:2000: Pneumatic fluid power—Standard reference atmosphere

(3) Formula for flow rate

It is described by the practical units as following.

When

$$\frac{P_2 + 0.1}{P_1 + 0.1} \leq b, \text{ choked flow}$$

$$Q = 600 \times C (P_1 + 0.1) \sqrt{\frac{293}{273 + T}} \dots\dots\dots(1)$$

When

$$\frac{P_2 + 0.1}{P_1 + 0.1} > b, \text{ subsonic flow}$$

$$Q = 600 \times C (P_1 + 0.1) \sqrt{1 - \left[\frac{\frac{P_2 + 0.1}{P_1 + 0.1} - b}{1 - b} \right]^2} \sqrt{\frac{293}{273 + T}} \dots\dots\dots(2)$$

JSX Series
JSXD Series
JSXZ Series
JSXM Series
Table of UL-compliant Products
Option
Replacement Parts
Glossary of Terms
Flow Rate Characteristics
Specific Product Precautions

Q : Air flow rate [L/min (ANR)]

C : Sonic conductance [$\text{dm}^3/(\text{s}\cdot\text{bar})$], dm^3 (Cubic decimeter) of SI units = L (liter)

b : Critical pressure ratio [—]

P₁ : Upstream pressure [MPa]

P₂ : Downstream pressure [MPa]

T : Temperature [°C]

* Formula of subsonic flow is the elliptic analogous curve.

Flow rate characteristics are shown in Graph (1). For details, please use the calculation software available from the SMC website.

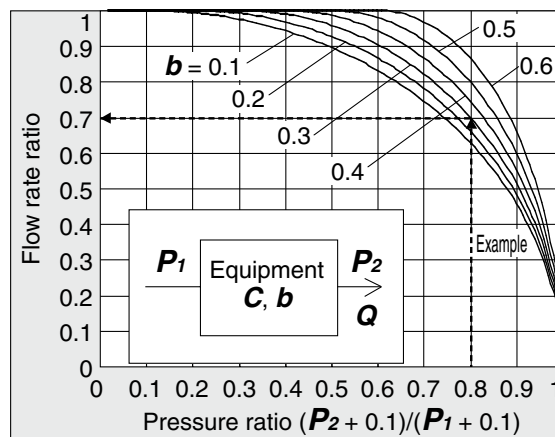
Example)

Obtain the air flow rate for **P₁** = 0.4 [MPa], **P₂** = 0.3 [MPa], **T** = 20 [°C] when a solenoid valve is performed in **C** = 2 [$\text{dm}^3/(\text{s}\cdot\text{bar})$] and **b** = 0.3.

According to formula 1, the max. flow rate = $600 \times 2 \times (0.4 + 0.1) \times \sqrt{\frac{293}{273 + 20}} = 600$ [L/min (ANR)]

$$\text{Pressure ratio} = \frac{0.3 + 0.1}{0.4 + 0.1} = 0.8$$

Based on Graph (1), it will be 0.7 if the pressure ratio is 0.8 and the flow rate ratio is **b** = 0.3.
Hence, the flow rate = Max. flow x flow ratio = $600 \times 0.7 = 420$ [L/min (ANR)]



Graph (1) Flow rate characteristics

(4) Test method

Connect the piece of test equipment to the test circuit as shown in Fig. (1). While maintaining the upstream pressure at a fixed value above 0.3 MPa, measure the max. flow to be saturated initially. Next, measure this flow rate at 80%, 60%, 40%, and 20%, as well as the upstream and downstream pressure. The sonic conductance **C** can be calculated based on this max. flow rate. Use the data of the others and the subsonic flow formula to find **b**, and calculate the critical pressure ratio **b** from that average.

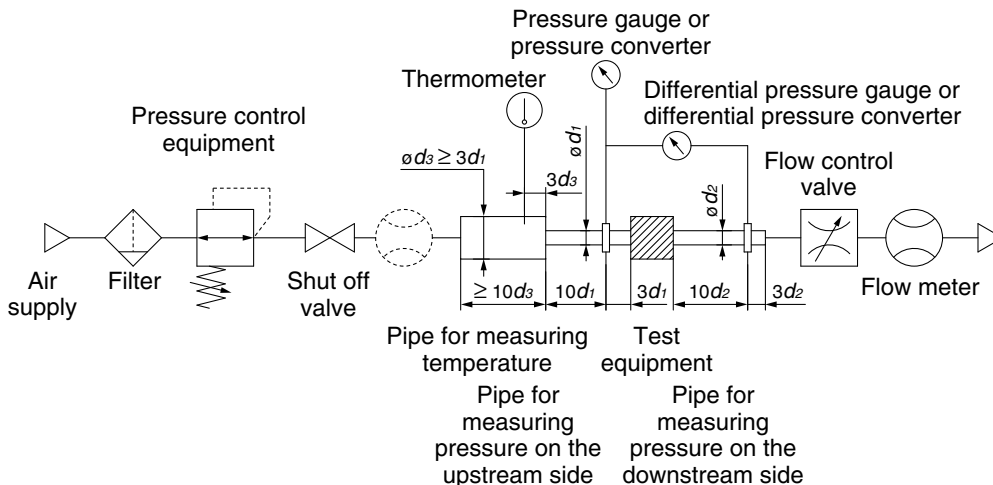


Fig. (1) Test circuit based on ISO 6358:1989, JIS B 8390:2000

2.2 Effective area S

(1) Compliant standards

JIS B 8390:2000: Pneumatic fluid power—Components using compressible fluids—

How to test flow rate characteristics

Equipment standards: JIS B 8373: Solenoid valve for pneumatics

JIS B 8379: Silencer for pneumatics

JIS B 8381-1: Fittings for pneumatics—Part 1: Push-in fittings for thermoplastic resin tubing

JIS B 8381-2: Fittings for pneumatics—Part 2: Compression fittings for thermoplastic resin tubing

(2) Definition of flow rate characteristics

Effective area **S**: Cross-sectional area that has an ideal throttle without friction or reduced flow. The value is derived by calculating pressure changes inside of an air tank when the compressed air is discharged from a piece of equipment mounted on the tank in a choked flow. The value of the effective area **S**, like that of sonic conductance **C**, expresses the “ease of flow.”

(3) Formula for flow rate

When

$$\frac{P_2 + 0.1}{P_1 + 0.1} \leq 0.5, \text{ choked flow}$$

$$Q = 120 \times S (P_1 + 0.1) \sqrt{\frac{293}{273 + T}} \dots\dots\dots(3)$$

When

$$\frac{P_2 + 0.1}{P_1 + 0.1} > 0.5, \text{ subsonic flow}$$

$$Q = 240 \times S \sqrt{(P_2 + 0.1) (P_1 - P_2)} \sqrt{\frac{293}{273 + T}} \dots\dots\dots(4)$$

Conversion with sonic conductance **C**:

$$S = 5.0 \times C \dots\dots\dots(5)$$

Q : Air flow rate [L/min (ANR)]

S : Effective area [mm²]

P₁ : Upstream pressure [MPa]

P₂ : Downstream pressure [MPa]

T : Temperature [°C]

* The formula for subsonic flow (4) is only applicable when the critical pressure ratio **b** is the unknown piece of equipment. In the sonic conductance **C** formula (2), it is the same formula as when **b** = 0.5.

(4) Test method

Connect the piece of test equipment to the test circuit as shown in Fig. (2). Discharge the air from the air tank filled with compressed air at a fixed value above 0.6 MPa (0.5 MPa) into the atmosphere until the pressure inside the tank falls to 0.25 MPa (0.2 MPa). Measure the discharge time and the residual pressure inside the tank after discharging until it has returned to the normal value. Then, calculate the effective area **S** using the following formula. Select an air tank with a volume within the specified range of the test equipment’s effective area. For JIS B 8379, the pressure values are in parentheses and the coefficient of the formula is 12.9.

$$S = 12.1 \frac{V}{t} \log_{10} \left(\frac{P_s + 0.1}{P + 0.1} \right) \sqrt{\frac{293}{T}} \dots\dots\dots(6)$$

S : Effective area [mm²]

V : Air tank capacity [L]

t : Discharging time [s]

P_s : Pressure inside air tank before discharging [MPa]

P : Residual pressure inside air tank after discharging [MPa]

T : Temperature inside air tank before discharging [K]

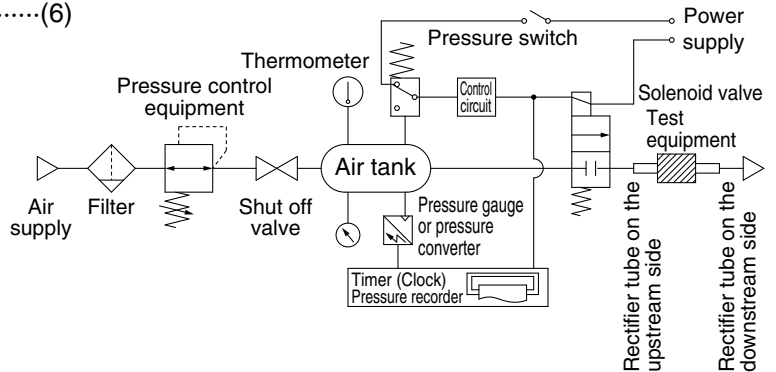


Fig. (2) Test circuit based on JIS B 8390:2000

JSX Series

JSXD Series

JSXZ Series

JSXM Series

Table of UL-compliant Products

Option

Replacement Parts

Glossary of Terms

Flow Rate Characteristics

Specific Product Precautions

2.3 Flow coefficient C_v factor

The United States Standard ANSI/(NFPA)T3.21.3:R1-2008R: Pneumatic fluid power—Flow rating test procedure and reporting method for fixed orifice components

This standard defines the C_v factor of the flow coefficient by the following formula that is based on the test conducted by the test circuit analogous to ISO 6358.

$$C_v = \frac{Q}{114.5 \sqrt{\frac{\Delta P (P_2 + P_a)}{T_1}}} \dots\dots\dots (7)$$

ΔP : Pressure drop between the static pressure tapping ports [bar]

P_1 : Pressure of the upstream tapping port [bar gauge]

P_2 : Pressure of the downstream tapping port [bar gauge]: $P_2 = P_1 - \Delta P$

Q : Flow rate [L/s standard condition]

P_a : Atmospheric pressure [bar absolute]

T_1 : Upstream absolute temperature [K]

The test conditions are $P_1 + P_a = 6.5 \pm 0.2$ bar absolute, $T_1 = 297 \pm 5K$, $0.07 \text{ bar} \leq \Delta P \leq 0.14 \text{ bar}$.

This is the same concept as the effective area A which ISO 6358 stipulates as being applicable only when the pressure drop is smaller than the upstream pressure and the compression of air does not become a problem.

3. Process fluid control equipment

(1) Compliant standards

IEC 60534-1:2005: Industrial-process control valves. Part 1: Control valve terminology and general considerations

IEC 60534-2-3:1997: Industrial-process control valves. Part 2: Flow capacity, Section Three-Test procedures

JIS B 2005-1:2012: Industrial-process control valves – Part 1: Control valve terminology and general considerations

JIS B 2005-2-3:2004: Industrial-process control valves – Part 2: Flow capacity – Section 3: Test procedures

Equipment standards: JIS B 8471: Solenoid valve for water

JIS B 8472: Solenoid valve for steam

JIS B 8473: Solenoid valve for fuel oil

(2) Definition of flow rate characteristics

K_v factor: Value of the clean water flow rate (represented by m^3/h) which runs through a valve (test equipment) at 5 to 40°C when the pressure difference is 1×10^5 Pa (1 bar). It is calculated using the following formula.

$$K_v = Q \sqrt{\frac{1 \times 10^5}{\Delta P} \cdot \frac{\rho}{1000}} \dots\dots\dots (8)$$

K_v : Flow coefficient [m^3/h]

Q : Flow rate [m^3/h]

ΔP : Pressure difference [Pa]

ρ : Density of fluid [kg/m^3]

(3) Formula of flow rate

It is described by practical units. Also, the flow rate characteristics are shown in Graph (2).

In the case of liquids:

$$Q = 53 K_v \sqrt{\frac{\Delta P}{G}} \dots\dots\dots (9)$$

Q : Flow rate [L/min]

K_v : Flow coefficient [m^3/h]

ΔP : Pressure difference [MPa]

G : Relative density [water = 1]

In the case of saturated aqueous vapor:

$$Q = 232 K_v \sqrt{\Delta P (P_2 + 0.1)} \dots\dots\dots (10)$$

Q : Flow rate [kg/h]

K_v : Flow coefficient [m^3/h]

ΔP : Pressure difference [MPa]

P_1 : Upstream pressure [MPa]: $\Delta P = P_1 - P_2$

P_2 : Downstream pressure [MPa]

Conversion of flow coefficient:

$$Kv = 0.865 Cv \dots\dots\dots(11)$$

Here,

Cv factor: Value of the clean water flow rate (represented by US gal/min) which runs through a valve at 40 to 100°F when the pressure difference is 1 lbf/in² (psi)

The values of **Kv** and **Cv** factors for pneumatic purposes are different due to different test methods.

(4) Test method

Connect the piece of test equipment to the test circuit as shown in Fig. (3), and run water at 5 to 40°C. Then, measure the flow rate with a pressure difference where vaporization does not occur in a turbulent flow (pressure difference of 0.035 MPa to 0.075 MPa when the inlet pressure is within 0.15 MPa to 0.6 MPa). However, as the turbulent flow is definitely caused, the pressure difference needs to be set with a large enough difference so that the Reynolds number does not fall below 1×10^5 , and the inlet pressure needs to be set slightly higher to prevent vaporization of the liquid. Substitute the measurement results in formula (8) to calculate **Kv**.

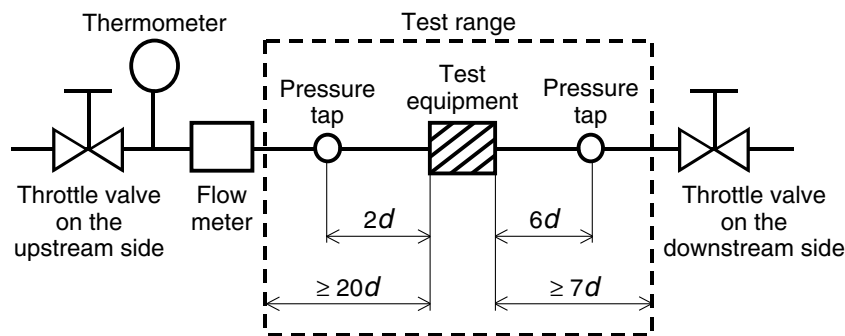
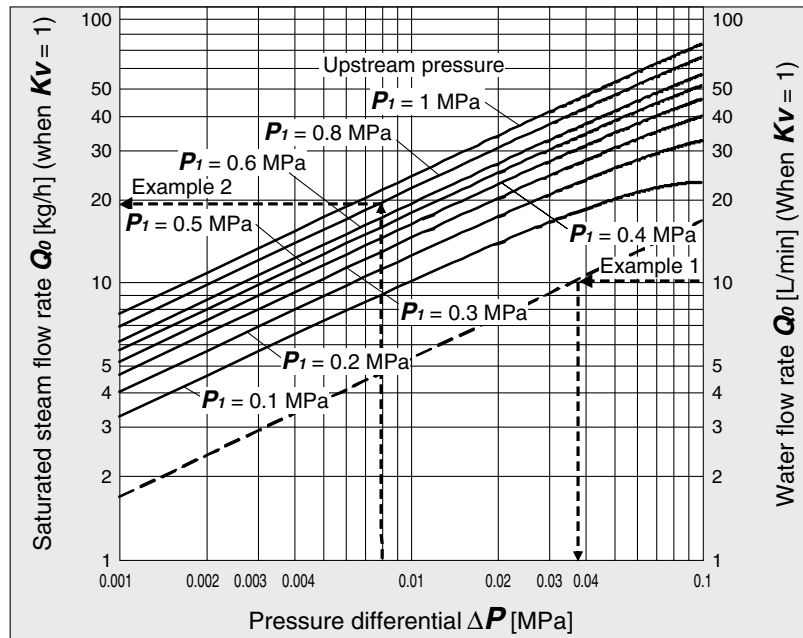


Fig. (3) Test circuit based on IEC 60534-2-3, JIS B 2005-2-3



Graph (2) Flow rate characteristics

Example 1)

Obtain the pressure difference when 15 [L/min] of water runs through a solenoid valve with a **Kv** = 1.5 [m³/h]. As the flow rate when **Kv** = 1 is calculated as the formula: $Q_0 = 15 \times 1/1.5 = 10$ [L/min], read off ΔP when Q_0 is 10 [L/min] in Graph (2). The reading is 0.036 [MPa].

Example 2)

Obtain the saturated steam flow rate when $P_1 = 0.8$ [MPa] and $\Delta P = 0.008$ [MPa] with a solenoid valve with a **Kv** = 0.05 [m³/h]. Read off Q_0 when P_1 is 0.8 and ΔP is 0.008 in Graph (2), the reading is 20 [kg/h]. Therefore, the flow rate is calculated as the formula: $Q = 0.05/1 \times 20 = 1$ [kg/h].

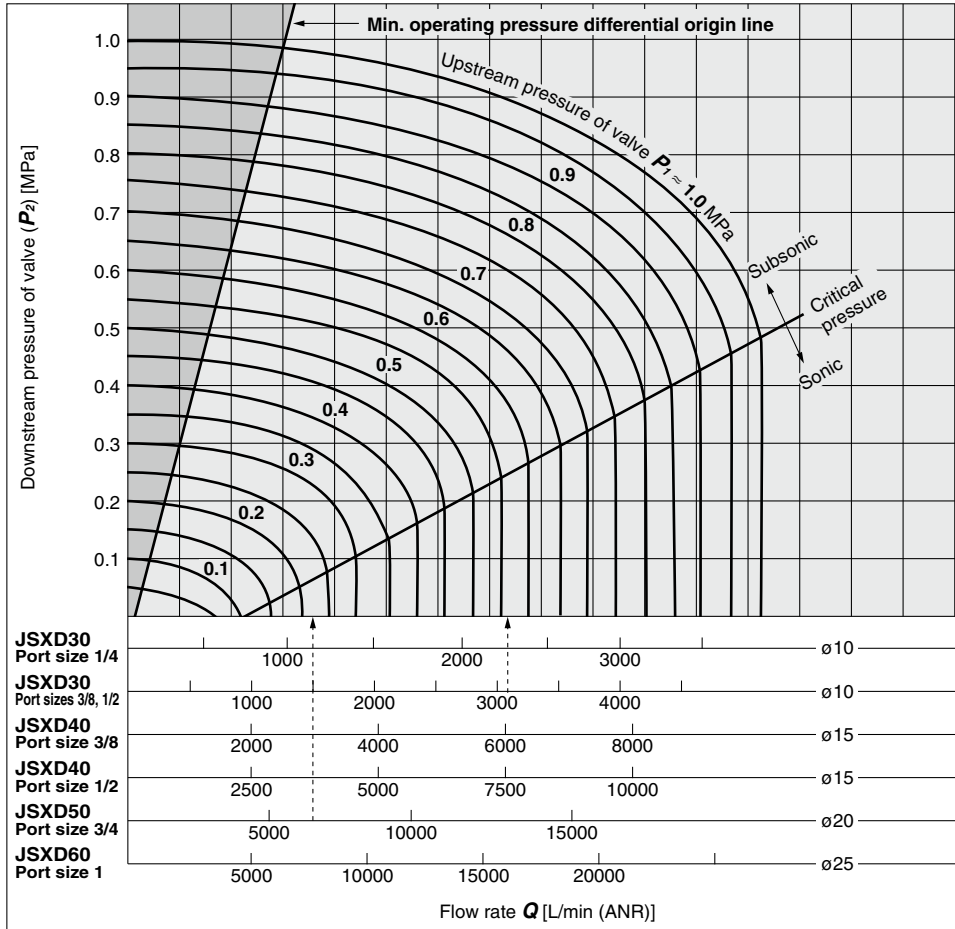
- JSX Series
- JSXD Series
- JSXZ Series
- JSXM Series
- Table of UL-compliant Products
- Option
- Replacement Parts
- Glossary of Terms
- Flow Rate Characteristics
- Specific Product Precautions

JSXD Series

Flow Rate Characteristics

* Use this graph as a guide. In the case of obtaining an accurate flow rate, refer to pages 54 to 58.

For Air (Orifice diameter: $\phi 10$ mm, $\phi 15$ mm, $\phi 20$ mm, $\phi 25$ mm)



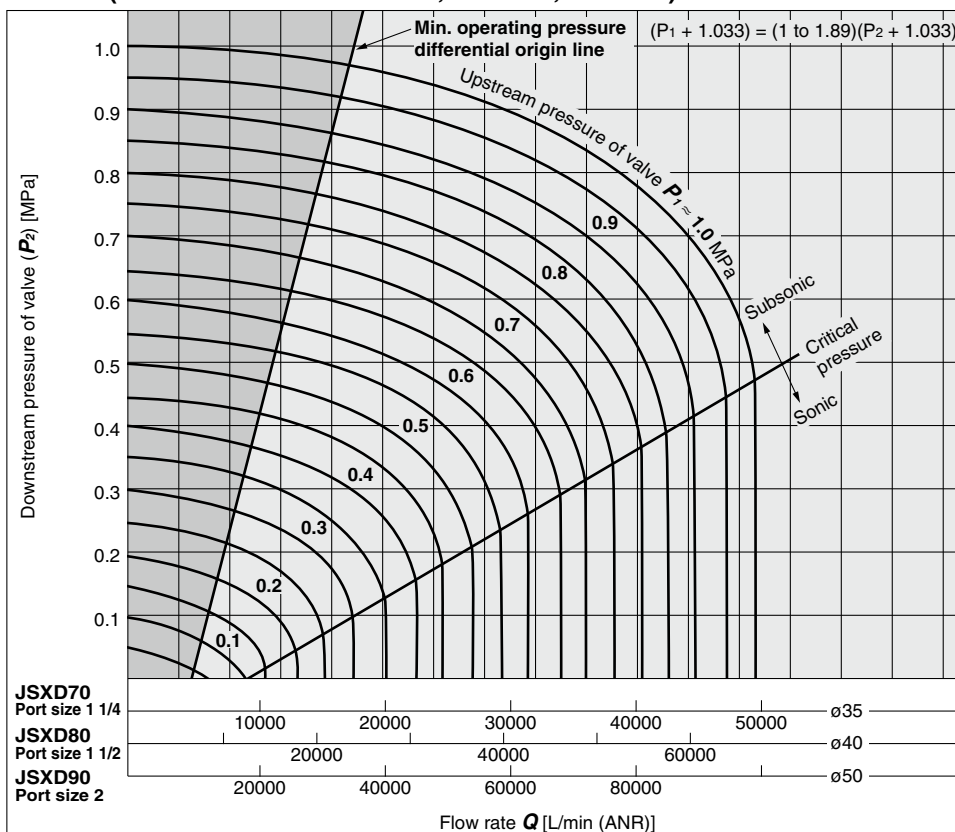
How to read the graph

The sonic range pressure to generate a flow rate of 6000 L/min (ANR) is as follows.
For a $\phi 15$ orifice (JSXD40/Port size 3/8), $P_1 \approx 0.57$ MPa,
for a $\phi 20$ orifice (JSXD50/Port size 3/4), $P_1 \approx 0.22$ MPa

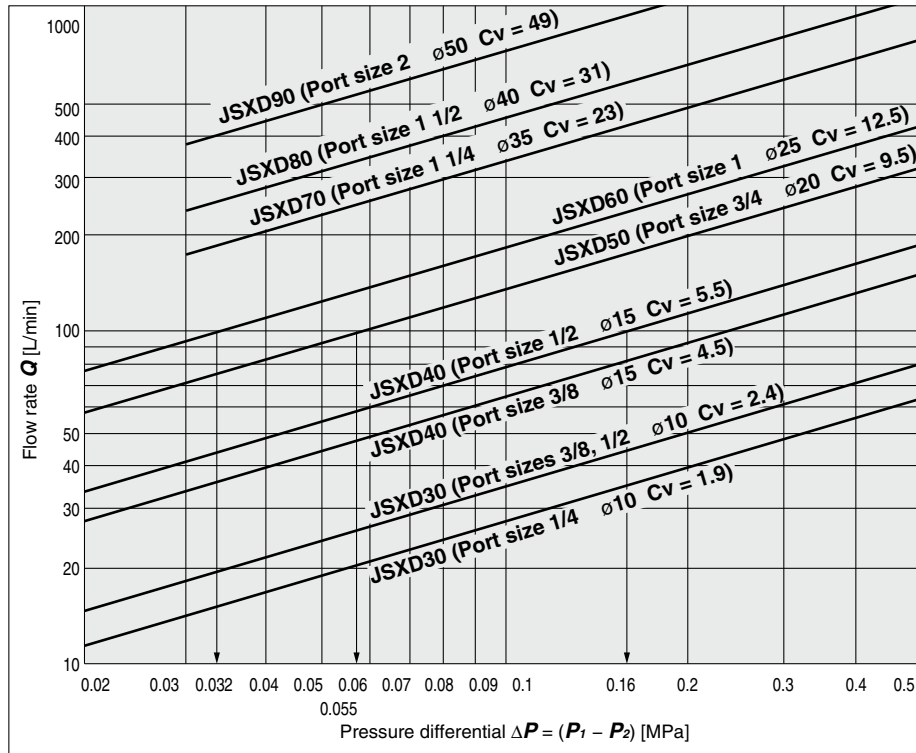
Warning

In the area located left to the min. operating pressure differential origin line in the flow rate characteristics table, the min. operating pressure is not generated. Do not use the product in this area as this may cause operation failure (valve opening failure, valve closing failure) or damage of the valve. Select valves with suitable size.

For Air (Orifice diameter: $\phi 35$ mm, $\phi 40$ mm, $\phi 50$ mm)



For Water



How to read the graph

The pressure differential to generate a flow rate of 100 L/min water is as follows.
 For a $\phi 15$ orifice (JSXD40/Port size 1/2), $\Delta P \approx 0.16$ MPa,
 for a $\phi 20$ orifice (JSXD50), $\Delta P \approx 0.055$ MPa,
 for a $\phi 25$ orifice (JSXD60), $\Delta P \approx 0.032$ MPa

JSX Series

JSXD Series

JSXZ Series

JSXM Series

Table of UL-compliant Products

Option

Replacement Parts

Glossary of Terms

Flow Rate Characteristics

Specific Product Precautions



JSX/JSX□ Series Specific Product Precautions 1

Be sure to read this before handling the products. Refer to the back cover for safety instructions. For 2-port solenoid valve for fluid control precautions, refer to the “Handling Precautions for SMC Products” and the “Operation Manual” on the SMC website: <https://www.smcworld.com>

Design

⚠ Warning

1. Confirm the specifications.

Give careful consideration to the operating conditions, such as the application, fluid, and environment, and use within the specified operating ranges. If the product is used beyond the specification range, this may cause the product to break or malfunction. We do not guarantee against any damage if the product is used outside of the specification range.

2. Cannot be used as an emergency shutoff valve, etc.

This product is not designed for use as an emergency shutoff valve. If the valve is used in this type of system, other reliable safety assurance measures should also be adopted.

3. Cannot be used for pressure (including vacuum) holding

This product cannot be used to hold the pressure (including vacuum) inside of a pressure vessel because valve air leakage is unavoidable.

4. Closed liquid circuit

In a closed circuit, when liquid is static, the pressure could rise due to temperature fluctuations. This pressure rise could cause either a malfunction or damage to components such as valves. To prevent this, install a relief valve in the system.

5. Actuator driving

When an actuator, such as a cylinder, is to be driven using a valve, take appropriate measures to prevent potential danger caused by actuator operation.

6. Extended periods of continuous energization

The solenoid coil will generate heat when continuously energized. Avoid using in a tightly shut container. Install the valve in a well-ventilated area. Furthermore, do not touch it while it is being energized or right after it has been energized.

7. Water hammer

When an impact, such as water hammer, etc., caused by rapid pressure fluctuation is applied, the valve may be damaged. Install water hammer relief equipment (an accumulator, etc.) or use an SMC water hammer relief valve (VXR series). Please contact SMC for details.

8. Back pressure

If there is a possibility that back pressure will be applied, take countermeasures by installing a check valve, etc., on the downstream side.

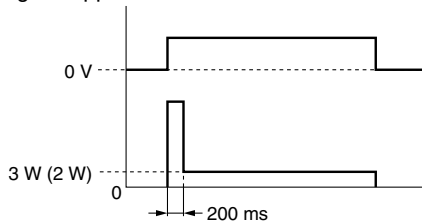
9. Do not disassemble the product or replacement parts or make any modifications to either of them, including additional machining.

Doing so may lead to human injury and/or an accident.

10. High flow/ Power saving type

Power consumption is reduced compared with the standard model by reducing the wattage required to hold the valve in an energized state.

Effective after being energized for more than 200 ms when the voltage is applied



* The value in () is for the JSX10U.

The OFF time should be at least 2 s.

If the OFF time is less than 2 s, the coil may generate an abnormal amount of heat, resulting in damage, depending on the length of ON time.

Do not use in an environment subject to constant vibration and/or impact.

The valve may close when held in an energized state.

Design

⚠ Caution

1. Power saving circuit

The power saving circuit (PWM control) built into the product reduces power consumption via high-speed switching operation with the PWM control circuit after the rated voltage has been applied for approx. 200 ms when energized.

Please note that the effect of this PWM control can cause the following problems depending on the type of switch and drive circuit used.

1. When a mechanical relay, etc., is used in the drive circuit, the product may not turn ON normally if chattering occurs within approx. 200 ms of the start of energization.
2. When a filter or another device is installed between the power supply and the product to achieve noise reduction, the current may be reduced due to filtering, which may prevent the product from turning ON normally.
3. When an SSR (solid state relay) with a built-in photo coupler is used in the drive circuit, the photo coupler may not turn OFF, preventing the product from switching OFF (it will remain ON).

Operating Environment

⚠ Warning

Do not use the product in locations such as those described below.

1. Locations with atmospheres in which water vapor is present or locations in which corrosive fluids (chemicals), sea water, or water may come into contact with the product

Implement appropriate protective measures if water will be applied to the product for long periods of time, even for products which have IP65 or IP67 enclosures. Such water may enter through microscopic gaps in the product's external surfaces, resulting in fire damage or short-circuiting of the solenoid valve coils. If installing the product in close proximity to equipment such as machine tools, processing machines, etc., which use large amounts of liquids or oils, be sure to confirm that liquid dispersal or spatter from the peripheral equipment does not come into contact with the product.

2. Locations with explosive atmospheres

3. Locations subject to vibration or impact

4. Locations where radiated heat will be received from nearby heat sources

5. Locations that are outdoors (Excludes outdoor specification valves)

Although using an indoor specification product outdoors voids its product warranty, if outdoor use proves unavoidable, be sure to implement the protective measures mentioned below.

- 1) Install a protective cover, etc., to protect the product from direct sunlight.
- 2) Encase the product in an enclosure to protect it from rain and wind.
 - * If only a roof-type cover is provided for the product, it will not be sufficiently protected from side winds or rain splashing up from the ground, which will result in water adhering to and entering the product. In addition, when the product is encased in an enclosure, be sure to implement proper ventilation measures to prevent overheating due to long-term energizing of the product.
- 3) Be sure to confirm that the location is not one in which condensation is easily generated.
 - * If the product is used in an environment with large temperature fluctuations, etc., condensation may be generated, and water may adhere to the external surface of the product. Be sure to implement protective measures against condensation, such as ambient temperature control, in such locations where condensation is easily generated.

6. Locations where freezing may occur within piping lines [When the fluid is liquid]

If the product is to be used in cold regions or during winter, be sure to implement measures to prevent the freezing of fluids.

If the fluid is likely to freeze, implement measures such as draining the water in the piping when the equipment is OFF or installing a heater or insulation in the piping.

If warming the solenoid valve, be sure to avoid the coil portion as warming it will result in poor heat dissipation.

[When the fluid is air]

With high flow rates, drain may be generated due to adiabatic expansion, resulting in freezing.

Be sure to periodically drain the product or conduct drain removal using an air dryer.



JSX/JSX□ Series

Specific Product Precautions 2

Be sure to read this before handling the products. Refer to the back cover for safety instructions. For 2-port solenoid valve for fluid control precautions, refer to the “Handling Precautions for SMC Products” and the “Operation Manual” on the SMC website: <https://www.smcworld.com>

Fluid

⚠ Warning

1. Fluid selection

- 1) Compatibility between the components and fluids should be checked in the application before use.
- 2) Since the compatibility of the fluid used may vary depending on its type, additives, concentration, temperature, etc., give sufficient consideration when selecting the material. Please contact SMC if anything is unclear.
- 3) Use a fluid with a kinematic viscosity of 50 mm²/s or less.

2. Do not use the product with the fluids shown below.

- 1) Fluids that are harmful to humans
- 2) Combustion-supporting or flammable fluids
- 3) Corrosive gas
- 4) Sea water, Saline solution

3. Take measures to prevent static electricity, since some fluids can cause static electricity.

4. Fluid temperature

Operate within the specified operating fluid temperature range.

5. Install a filter (strainer) to ensure clean fluids.

- 1) The use of a fluid that contains foreign matter can cause problems, such as malfunction and seal failure by promoting the wear of the valve seat and armature, by sticking to the sliding parts of the armature, etc. Install a filter (strainer) on the upstream side of the valve to remove foreign matter.
Air: 5 μm or less Water: 100 mesh or more
- 2) Replace or clean the filter (strainer) when the pressure drop reaches 0.1 MPa to prevent them from getting clogged.

Fluid Quality

⚠ Warning

1. Air

- 1) Do not use compressed air that contains chemicals, synthetic oils that include organic solvents, salt, corrosive gases, etc., as it can cause malfunction or damage.
- 2) Compressed air that contains excessive drainage may cause the malfunction of valves and other pneumatic equipment. Install an aftercooler or an air dryer on the inlet side of the valve as a countermeasure against drainage.
- 3) If excessive carbon powder is generated by the compressor, it may adhere to the inside of the valves and cause malfunction. Install a mist separator on the inlet side of the valve as a countermeasure to remove any carbon powder.
- 4) For compressed air quality, refer to the **Web Catalog**.
- 5) When operating fluid air with a dew point of -70°C or lower, the inside of the valve may wear and the product life will be shortened.

2. Water

- 1) Be aware that rust stains, chloride separation, etc., from the piping may cause malfunction, leakage, or, in worse case scenarios, damage due to corrosion. Also, such damage may result in the spraying of fluids or scattering of parts. Please be sure to have protective measures in place in case such incidents should occur.
- 2) In the case that water contains substances such as calcium and magnesium, which generate hard scale and sludge, install water softening equipment and a filter (strainer) directly upstream from the valve to remove these substances, as this scale and sludge can cause the valve to malfunction.
- 3) The water pressure of tap water is usually 0.4 MPa or less, but the pressure can sometimes increase to 1.0 MPa in tall buildings. Therefore, pay attention to the max. operating pressure differential.

Fluid Quality

⚠ Warning

3. Oil

Generally, FKM is used as seal material, as it is resistant to oil. The resistance of the seal material may deteriorate depending on the type of oil, manufacturer, or additives. Check the resistance before use.

The kinematic viscosity must not exceed 50 mm²/s.

Mounting

⚠ Warning

1. Ensure sufficient space for maintenance and inspection.
2. When mounting the product, avoid sources of vibration, or adjust the arm from the body to the min. length so that resonance will not occur.
3. Do not install the product near a heat source and install it in locations where the product is not affected by radiant heat.

4. Do not apply external force to the coil section.
When the product is installed, apply a wrench to the outside of the piping connection while paying attention that it will not come into contact with the coil.

5. Do not warm the coil section with a heat insulator, etc.
When insulation is used as a countermeasure against freezing, the insulation should be limited to the piping and body only. Do not insulate the coil. This can cause the coil to burn out.

6. If air leakage increases or equipment does not operate properly, stop operation.
After installation or during maintenance, check that the product is correctly mounted with appropriate functional and leakage inspections by supplying compressed air and power supplies. Do not use the product when the equipment does not operate correctly.

7. Do not touch the valve while it is being energized or right after it has been energized.
Valves will reach high temperatures after operation. Use caution, as there is a danger of being burnt if a valve is touched directly.

⚠ Caution

1. Painting and coating

Warnings or specifications printed or labeled on the product should not be erased, removed, or covered up.



JSX/JSX□ Series Specific Product Precautions 3

Be sure to read this before handling the products. Refer to the back cover for safety instructions. For 2-port solenoid valve for fluid control precautions, refer to the “Handling Precautions for SMC Products” and the “Operation Manual” on the SMC website: <https://www.smcworld.com>

How to Assemble Brackets

⚠ Caution

1. JSX series

Body material: Stainless steel, Brass, Aluminum

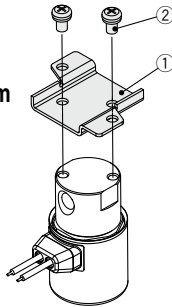
How to assemble

- 1) Mount the bracket ① to the bottom of the valve using the mounting screws ②.

Tightening torque

JSX10: 0.6 N·m ±5%

JSX20/30: 1.5 N·m ±5%



Bracket Assembly Part Nos. (With mounting screws)

| Size | Body material | Port size | Thread type | Bracket assembly part no. | Bracket material |
|------|------------------------|---------------|----------------|---------------------------|------------------|
| 10 | Brass, Stainless steel | 1/8 | Rc NPT G | JSX021-12A-3 | Stainless steel |
| 20 | Stainless steel | | | JSX022-12A-3 | |
| | Brass, | 1/8, 1/4, 3/8 | | JSX20-12A-4 | |
| 30 | Stainless steel | 1/4, 3/8 | | VX021N-12A | |
| 20 | Aluminum | 1/8, 1/4, 3/8 | VX022N-12A | | |
| | | 1/4, 3/8 | VX022N-12A | | |

2. JSX series

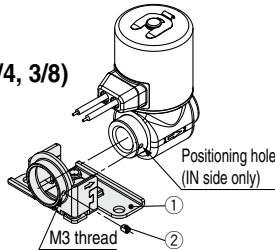
Body material: Stainless steel

(N.C. specification, Port size: 1/4, 3/8)

How to assemble

- 1) Insert the bracket ① into the IN port side of the valve.
- 2) Secure it with the hexagon socket head set screw ②.

Tightening torque: 0.4 N·m ±5%



Caution regarding assembly

- 1) Pay attention to the bracket insertion direction. There is only a positioning hole on the IN port side. Therefore, the bracket cannot be mounted to the OUT port side.
 - 2) The bracket should be mounted after connecting the fitting. (Refer to the “Piping” section in the “Specific Product Precautions.”)
- * The bracket is shipped together with the product.

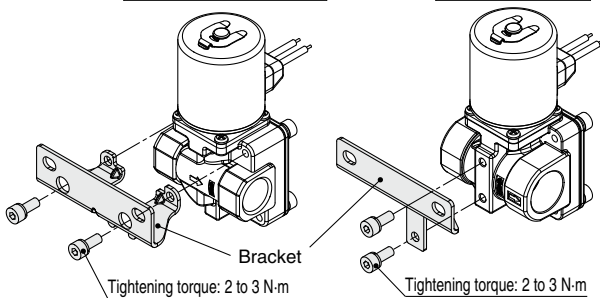
Bracket Assembly Part Nos. (With set screw)

| Size | Port size | Thread type | Bracket assembly part no. (With set screw) | Material |
|--------|-----------|----------------|--|-----------------|
| 20, 30 | 1/4 | Rc, NPT, G | JSX022-12A-2-1 | Stainless steel |
| | | Rc, NPT | JSX022-12A-2-1 | |
| | G | JSX022-12A-2-2 | | |

3. JSXD30 series: How to assemble brackets

For port sizes 1/4, 3/8

For port size 1/2



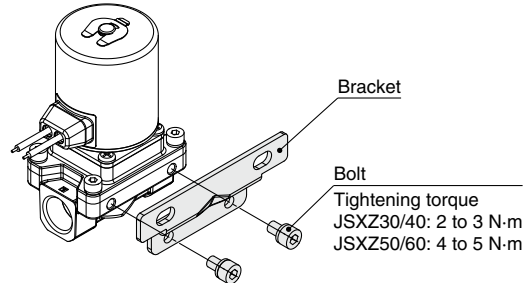
| Size | Port size | Bracket assembly part no. (With screws) |
|------|-----------|---|
| 30 | 1/4, 3/8 | VXD30S-14A-1 |
| | 1/2 | VXD30S-14A-3 |

* For the JSXD30 series, the bracket is shipped together with the product.

How to Assemble Brackets

⚠ Caution

4. JSXZ series: How to assemble brackets



- * The bracket is shipped together with the product.
- * For the JSXZ50/60, the mounting bolts and washers are separable, so be careful not to lose the washers.

| Size | Port size | Bracket assembly part no. (With screws) |
|--------|---------------|---|
| 30, 40 | 1/4, 3/8, 1/2 | VXZ30S-14A-1 |
| 50, 60 | 3/4, 1 | VXZ50S-14A-1 |

Piping

⚠ Warning

1. There may be cases in which the tubing detaches from the fitting and thrashes around uncontrollably due to tubing degradation or fitting breakage. To prevent this, fit the tubing with a protective cover or secure it in place.
2. If using tube piping, secure the product to a permanent fixture. Do not suspend it from the tubing.

⚠ Caution

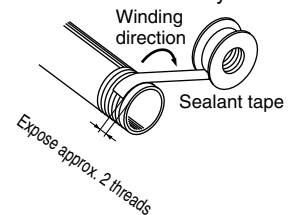
1. For handling One-touch fittings, refer to the “Fittings and Tubing Precautions” in the “Handling Precautions for SMC Products.”

2. Preparation before piping

Before piping is connected, it should be thoroughly blown out with air (flushing) or washed to remove chips, cutting oil, and other debris from inside the pipe. Install piping so that it does not apply pulling, pressing, bending, or other forces on the valve body.

3. Winding of sealant tape

When connecting pipes, fittings, etc., be sure that chips from the pipe threads and sealing material do not enter the valve. Furthermore, when sealant tape is used, leave 1.5 to 2 thread ridges exposed at the end of the threads.



4. Screw tightening torque for piping

When connecting piping to the valve, tighten with the proper tightening torque shown below.

Tightening Torque for Piping

| Connection thread | Proper tightening torque [N·m] | Connection thread | Proper tightening torque [N·m] |
|-------------------|--------------------------------|-------------------|--------------------------------|
| Rc1/8 | 7 to 9 | Rc1 | 36 to 38 |
| Rc1/4 | 12 to 14 | Rc1 1/4 | 40 to 42 |
| Rc3/8 | 22 to 24 | Rc1 1/2 | 48 to 50 |
| Rc1/2 | 28 to 30 | Rc2 | 48 to 50 |
| Rc3/4 | 28 to 30 | | |

- ⚠ If the tightening torque is applied to the fitting while the valve is secured to the bracket, the bracket might break.



JSX/JSX□ Series Specific Product Precautions 4

Be sure to read this before handling the products. Refer to the back cover for safety instructions. For 2-port solenoid valve for fluid control precautions, refer to the "Handling Precautions for SMC Products" and the "Operation Manual" on the SMC website: <https://www.smcworld.com>

Piping

⚠ Caution

- When using a fitting other than an SMC fitting
Follow the instructions given by the fitting manufacturer.
- Avoid connecting ground lines to piping, as this may cause the electric corrosion of the system.
- When connecting piping to a product, avoid mistakes regarding the supply port, etc.
- Recommended piping conditions

When connecting piping to the One-touch fitting, use a pipe length with sufficient margin, in accordance with the piping conditions shown in Fig. 1. Also, when using a tying band, etc., to bind the piping together, make sure that external force does not come to bear on the fitting. (See Fig. 2.)

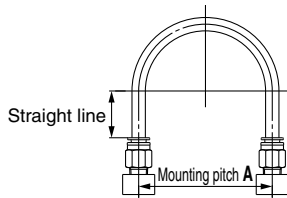
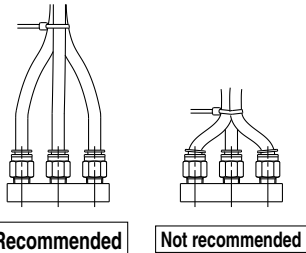


Fig. 1 Recommended piping

Unit: mm

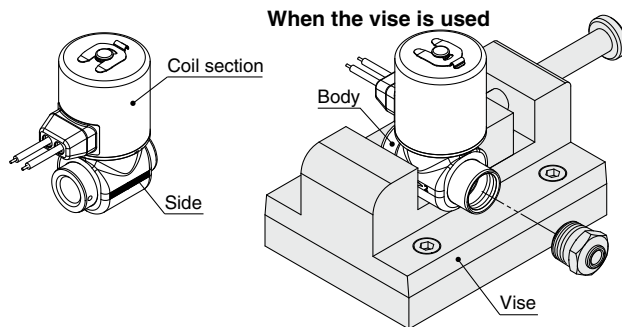
| Tubing size | Mounting pitch A | | | Straight line length |
|-------------|------------------|-------------------|---------------------|----------------------|
| | Nylon tubing | Soft nylon tubing | Polyurethane tubing | |
| ø1/8" | 44 or more | 29 or more | 25 or more | 16 or more |
| ø6 | 84 or more | 39 or more | 39 or more | 30 or more |
| ø1/4" | 89 or more | 56 or more | 57 or more | 32 or more |
| ø8 | 112 or more | 58 or more | 52 or more | 40 or more |
| ø10 | 140 or more | 70 or more | 69 or more | 50 or more |
| ø12 | 168 or more | 82 or more | 88 or more | 60 or more |



Recommended Not recommended

Fig. 2 When using a tying band to bind the piping together

- When connecting a fitting to the valve, clamp the side of the body with a vise.



⚠ If the tightening torque is applied to the fitting while the valve is secured to the bracket, the bracket might be broken.

Piping

⚠ Caution

- When using a stainless steel bracket (N.C. specification, Port size: 1/4, 3/8), connect the fitting in accordance with the following procedure.
Step 1) Connect the fittings to both the IN and OUT sides of the valve.
Step 2) Insert the IN side port of the valve into the bracket hole.
Step 3) Secure the valve to the bracket with the hexagon socket set screw.

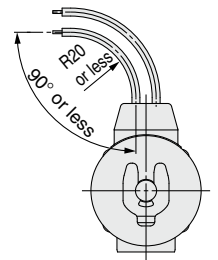
Wiring

⚠ Warning

The solenoid valve is an electrical product. For safety, install an appropriate fuse and circuit breaker before use. When using multiple solenoid valves, it is not sufficient to merely install one fuse. For protecting the equipment more safely, select an appropriate fuse to each circuit of the solenoid valve.

⚠ Caution

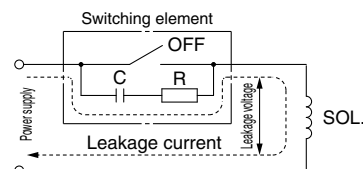
- As a rule, use electrical wire with a cross sectional area of 0.5 to 1.25 mm² for wiring.
- External force applied to the lead wire
If an excessive force is applied to the lead wire, this may cause faulty wiring. Take appropriate measures so that a force of 10 N or more is not applied to the lead wire. Do not bend the lead wires beyond 90° with a radius of less than 20 mm or damage may occur.
- Use electrical circuits which do not generate chattering in their contacts.
- Use voltage which is within ±10% of the rated voltage. In cases with a DC power supply where importance is placed on responsiveness, stay within ±5% of the rated value. The voltage drop is the value in the lead wire section connecting the coil.
- When a surge from the solenoid affects the electrical circuitry, install a surge voltage suppressor, etc., in parallel with the solenoid. Or, use the product with a surge voltage suppressor.



Residual voltage of the surge voltage suppressor
DC specification: Approx. 60 V
AC specification: Approx. 1 V
High flow/ Power saving type: Approx. 1 V

6. Leakage voltage

When the solenoid valve is operated using the controller, etc., the leakage voltage should be the product allowable leakage voltage or less. Particularly when using a resistor in parallel with a switching element and using a C-R element to protect the switching element, take note that leakage current will flow through the resistor, C-R element, etc., creating a possible danger that the valve may not turn off.



AC coil: 5% or less of the rated voltage
DC coil: 2% or less of the rated voltage

JSX Series

JSXD Series

JSXZ Series

JSXM Series

Table of UL-compliant Products

Option

Replacement Parts

Glossary of Terms

Flow Rate Characteristics

Specific Product Precautions



JSX/JSX□ Series Specific Product Precautions 5

Be sure to read this before handling the products. Refer to the back cover for safety instructions. For 2-port solenoid valve for fluid control precautions, refer to the “Handling Precautions for SMC Products” and the “Operation Manual” on the SMC website: <https://www.smcworld.com>

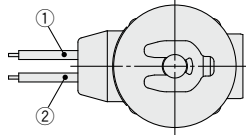
Electrical Connections

⚠ Caution

1. Grommet

Lead wire: AWG20 Insulator O.D.: 2.6 mm

| Rated voltage | Lead wire color | |
|---------------|-----------------|------|
| | ① | ② |
| DC | Black | Red |
| 100 VAC | Blue | Blue |
| 200 VAC | Red | Red |
| Other AC | Gray | Gray |

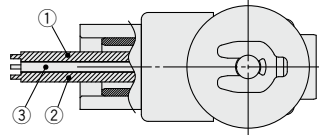


* There is no polarity.
However, the high flow/ power saving type has polarity. Refer to the “Electrical Circuits” on page 66.

2. Conduit

Lead wire: AWG18 Insulator O.D.: 2.8 mm

| Rated voltage | Lead wire color | | |
|---------------|-----------------|------|--------------|
| | ① | ② | ③ |
| DC | Black | Red | Green/Yellow |
| 100 VAC | Blue | Blue | Green/Yellow |
| 200 VAC | Red | Red | Green/Yellow |
| Other AC | Gray | Gray | Green/Yellow |



* There is no polarity.
However, the high flow/ power saving type has polarity. Refer to the “Electrical Circuits” on page 66.

* ③: Ground wire

3. DIN terminal

Disassembly

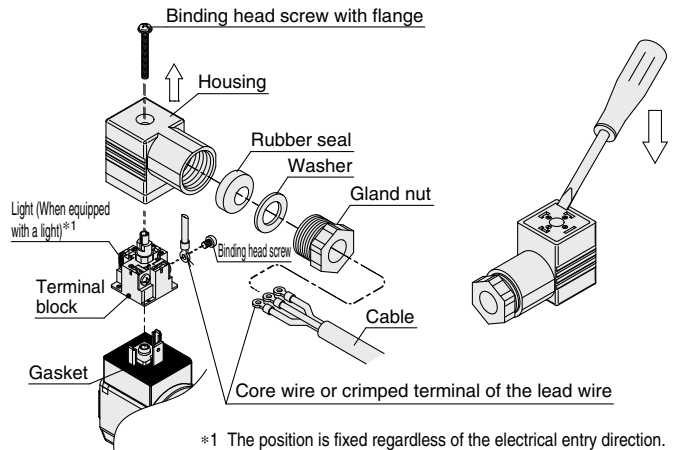
- After loosening the binding head screw with flange, then if the housing is pulled in the direction of the arrow, the connector will be removed from the solenoid valve.
- Pull out the binding head screw with flange from the housing.
- There is a cutout on the bottom of the terminal block. Insert a small flat head screwdriver, etc., into this cutout, and remove the terminal block from the housing. (Refer to the figure to the right.)
- Remove the gland nut, and pull out the washer and the rubber seal.

Wiring

- Pass the cable through the gland nut, washer, and rubber seal in this order, and insert these parts into the housing.
- Loosen the binding head screw of the terminal block, then insert the core wire or the crimped terminal of the lead wire into the terminal, and securely fix it with the binding head screw. The binding head screw of the terminal block is M3.
 - *1 Tighten the screw to a torque of between 0.5 and 0.6 N·m.
 - *2 Cable O.D.: $\phi 6$ to $\phi 12$ mm
 - *3 For an outside cable diameter of $\phi 9$ to $\phi 12$ mm, remove the internal parts of the rubber seal before use.

Assembly

- Pass the cable through the gland nut, washer, rubber seal, and the housing in this order, and connect to the terminal block. Then, set the terminal block inside the housing. (Push in the terminal block until it snaps into position.)
- Insert the rubber seal and the washer in this order into the cable entry of the housing, and then tighten the gland nut securely.
- Insert the gasket between the bottom part of the terminal block and the plug attached to the equipment, and then insert the binding head screw with flange from the top of the housing, and tighten it.
 - *1 Tighten the screw to a torque of between 0.5 and 0.6 N·m.
 - *2 The orientation of the connector can be changed in steps of 90° by changing the method of assembling the housing and the terminal block.



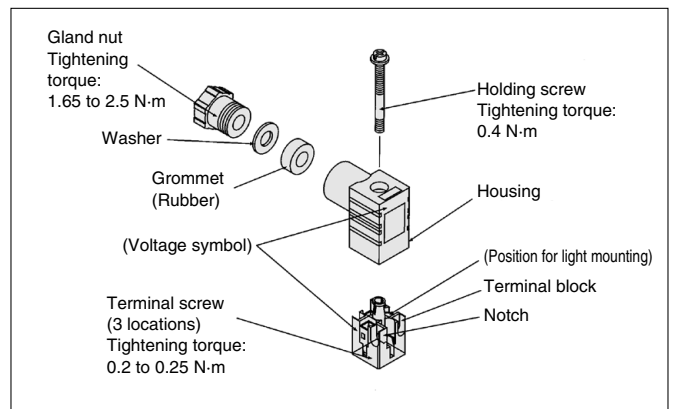
*1 The position is fixed regardless of the electrical entry direction.

For the JSX10

Compatible cable

Cord O.D.: $\phi 3.5$ to $\phi 7$

(Reference) 0.5 mm², 2-core or 3-core, equivalent to JIS C 3306





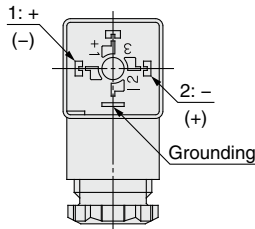
JSX/JSX□ Series Specific Product Precautions 6

Be sure to read this before handling the products. Refer to the back cover for safety instructions. For 2-port solenoid valve for fluid control precautions, refer to the “Handling Precautions for SMC Products” and the “Operation Manual” on the SMC website: <https://www.smcworld.com>

Electrical Connections

⚠ Caution

Internal connections are as shown below. Make connections to the power supply accordingly.



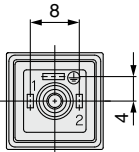
| | | |
|--------------|-------|-------|
| Terminal no. | 1 | 2 |
| DIN terminal | + (-) | - (+) |

* There is no polarity. However, the high flow/ power saving type has polarity. Refer to the “Electrical Circuits” on the right.

DIN (EN 175301-803) Terminal

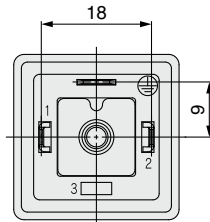
This DIN terminal corresponds to the Form C DIN connector with an 8 mm terminal pitch.

This DIN terminal corresponds to the Form A DIN connector with an 18 mm terminal pitch.



Size: 10

Applicable cable O.D.: $\phi 3.5$ to $\phi 7$



Size: 20, 30

Applicable cable O.D.: $\phi 6$ to $\phi 12$

4. M12 connector

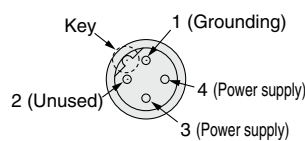
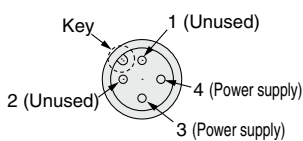
- The IP67 (enclosure) rating of the valve can be obtained by using a cable with a female connector of IP67 specification. Please note that this product cannot be used in water.
- Do not use a tool to mount the connector as this may cause damage. Only tighten it by hand. (0.39 to 0.49 N·m)
- Avoid repeatedly bending or stretching the cable and applying heavy objects or force to it.
- Do not pull the connector or cable unnecessarily.
- Do not bend the cable at the root of the connector when installed.

■ Coding and pin arrangement of the M12 connector on the valve side

The shape (coding) and pin arrangement of the M12 connector are as follows.

DC specification: A-coded, 4-pin

AC specification: B-coded, 4-pin



* There is no polarity for DC voltages. However, the high flow/ power saving type has polarity. Refer to the “Electrical Circuits” on the right.

When using the cable with a female connector, make sure that the coding is correct. When installing the cable, be sure to align the key on the cable side connector (female side) with the key on the valve side connector (male side).

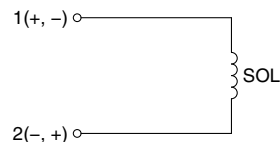
Be careful not to squeeze it in the wrong direction as pin damage, etc., may result.

Electrical Circuits

⚠ Caution

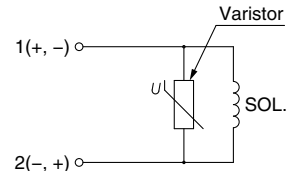
1. DC circuit

● Grommet



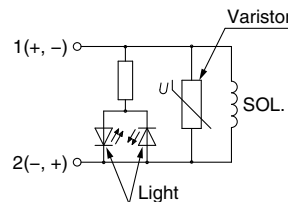
Without electrical option

● Grommet, Conduit, DIN terminal



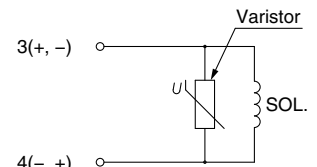
With surge voltage suppressor

● DIN terminal



With light/surge voltage suppressor

● M12 connector

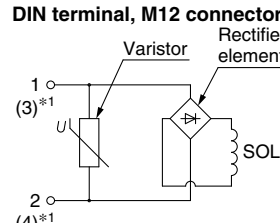


With surge voltage suppressor

2. AC circuit

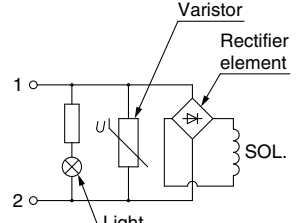
The standard product is equipped with a surge voltage suppressor.

● Grommet, Conduit, DIN terminal, M12 connector



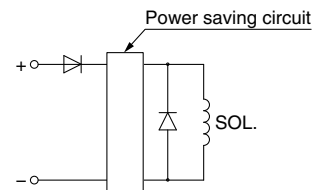
Without electrical option

● DIN terminal



With light

3. High flow/ Power saving type



· Lead Wire and Terminal Nos.

| Polarity | + | - |
|---------------|---------|-----------|
| Grommet | 2 (Red) | 1 (Black) |
| Conduit | 2 (Red) | 1 (Black) |
| DIN terminal | 2 | 1 |
| M12 connector | 3 | 4 |

* Be sure to confirm the polarity when connecting.



JSX/JSX□ Series

Specific Product Precautions 7

Be sure to read this before handling the products. Refer to the back cover for safety instructions. For 2-port solenoid valve for fluid control precautions, refer to the “Handling Precautions for SMC Products” and the “Operation Manual” on the SMC website: <https://www.smcworld.com>

Maintenance

⚠ Warning

1. Removal of product

- 1) Shut off the fluid supply and release the fluid pressure in the system.
- 2) Shut off the power supply.
- 3) Confirm that the valve temperature has dropped sufficiently before removing the product.

2. Replace or clean filters (strainers) periodically.

- 1) Replace filters after one year of use, or earlier if the pressure drop reaches 0.1 MPa.
- 2) Clean strainers when the pressure drop reaches 0.1 MPa.

3. Exhaust the drainage from air filters periodically.

If condensation in the drain bowl is not emptied on a regular basis, the bowl will overflow and allow the condensation to enter the compressed air lines. This causes the malfunction of pneumatic equipment. If the drain bowl is difficult to check and remove, the installation of a drain bowl with an auto drain option is recommended.

4. Low frequency operation

Switch valves at least once every 30 days to prevent malfunction. Also, in order to use them under the optimum state, conduct a regular inspection biannually.

5. Storage

In the case of long-term storage after use, thoroughly remove all moisture and store it in a location where the product is not exposed to sunlight and higher humidity to prevent rust and deterioration of rubber materials, etc.

6. Perform a maintenance and inspection periodically.

Confirm that the product is mounted correctly by conducting suitable function and leakage tests periodically. If air leakage increases or equipment does not operate properly, stop operation.

Return of Product

⚠ Warning

If the product to be returned is contaminated or is possibly contaminated with substances that are harmful to humans, for safety reasons, please contact SMC beforehand and then employ a specialist cleaning company to decontaminate the product. After the decontamination prescribed above has been carried out, submit a Product Return Request Sheet or the Detoxification/Decontamination Certificate to SMC and await SMC's approval and further instructions before attempting to return the item.

Please refer to the International Chemical Safety Cards (ICSC) for a list of harmful substances.

If you have any further questions, please don't hesitate to contact your SMC sales representative.

JSXD and JSXZ Precautions

⚠ Warning

1. For pilot operated 2-port solenoid valves, when the valve is closed, sudden pressure resulting from the startup of the fluid supply source (pump, compressor, etc.) may cause the valve to open momentarily and leakage to occur, so please exercise caution.

2. If the product is used in the conditions in which rapid decrease in the inlet pressure of the valve and rapid increase in the outlet pressure of the valve are repeated, excessive stress will be applied to the diaphragm, which causes the diaphragm to be damaged and dropped, leading to the operation failure of the valve. Check the operating conditions before use.

3. Min. operating pressure differential (JSXD)

Be aware that even if the pressure difference is above the min. operating pressure differential when the valve is closed, the pressure difference may fall below the min. operating pressure differential when the valve opens, depending on the capacity of the supply source (pumps, compressors, etc.) or the type of pipe restrictions (the piping is bent continuously due to elbow or tee, or narrow tube nozzle is installed in the end). If the product is used below the min. operating pressure, the operation becomes unstable, which might cause valve opening or closing failure, or oscillation, leading to failure due to insufficient pressure differential. Select an appropriate valve size with reference to the flow rate characteristics and flow rate characteristics table on pages 54 to 60.



JSX/JSX□ Series Specific Product Precautions 8

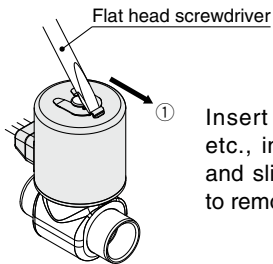
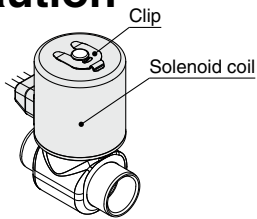
Be sure to read this before handling the products. Refer to the back cover for safety instructions. For 2-port solenoid valve for fluid control precautions, refer to the “Handling Precautions for SMC Products” and the “Operation Manual” on the SMC website: <https://www.smcworld.com>

Replacing the Solenoid Coils

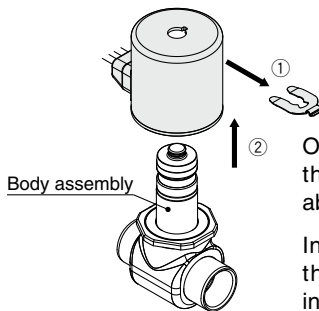
Warning

1. When replacing the solenoid coil, turn off the power supply.
2. Be careful for possible high-temperature of the solenoid coil due to the fluid temperature and operating conditions.

Caution

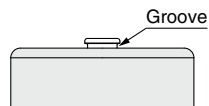


① Insert a flat head screwdriver, etc., into the groove in the clip and slide it in the direction of ① to remove it.



② Once the clip has been removed, the coil can be removed from above (in the direction of ②).

Insert the replacement coil into the body assembly, and then insert the clip by aligning it with the groove in the top of the body assembly.



Be sure to confirm the clip direction (back and front) as well as the insertion state.



OK Not OK
Clip direction



OK Not OK
Inserted condition

* When inserting the coil, be sure to push it in until the groove in the body assembly is visible.

JSX Series

JSXD Series

JSXZ Series

JSXM Series

Table of UL-compliant Products

Option

Replacement Parts


Glossary of Terms


Flow Rate Characteristics


Specific Product Precautions

Safety Instructions

These safety instructions are intended to prevent hazardous situations and/or equipment damage. These instructions indicate the level of potential hazard with the labels of “**Caution**,” “**Warning**” or “**Danger**.” They are all important notes for safety and must be followed in addition to International Standards (ISO/IEC)*1), and other safety regulations.

 **Caution:** **Caution** indicates a hazard with a low level of risk which, if not avoided, could result in minor or moderate injury.

 **Warning:** **Warning** indicates a hazard with a medium level of risk which, if not avoided, could result in death or serious injury.

 **Danger :** **Danger** indicates a hazard with a high level of risk which, if not avoided, will result in death or serious injury.

*1) ISO 4414: Pneumatic fluid power – General rules relating to systems.
 ISO 4413: Hydraulic fluid power – General rules relating to systems.
 IEC 60204-1: Safety of machinery – Electrical equipment of machines.
 (Part 1: General requirements)
 ISO 10218-1: Manipulating industrial robots – Safety.
 etc.

Warning

1. The compatibility of the product is the responsibility of the person who designs the equipment or decides its specifications.

Since the product specified here is used under various operating conditions, its compatibility with specific equipment must be decided by the person who designs the equipment or decides its specifications based on necessary analysis and test results. The expected performance and safety assurance of the equipment will be the responsibility of the person who has determined its compatibility with the product. This person should also continuously review all specifications of the product referring to its latest catalog information, with a view to giving due consideration to any possibility of equipment failure when configuring the equipment.

2. Only personnel with appropriate training should operate machinery and equipment.

The product specified here may become unsafe if handled incorrectly. The assembly, operation and maintenance of machines or equipment including our products must be performed by an operator who is appropriately trained and experienced.

3. Do not service or attempt to remove product and machinery/equipment until safety is confirmed.

1. The inspection and maintenance of machinery/equipment should only be performed after measures to prevent falling or runaway of the driven objects have been confirmed.
2. When the product is to be removed, confirm that the safety measures as mentioned above are implemented and the power from any appropriate source is cut, and read and understand the specific product precautions of all relevant products carefully.
3. Before machinery/equipment is restarted, take measures to prevent unexpected operation and malfunction.

4. Contact SMC beforehand and take special consideration of safety measures if the product is to be used in any of the following conditions.

1. Conditions and environments outside of the given specifications, or use outdoors or in a place exposed to direct sunlight.
2. Installation on equipment in conjunction with atomic energy, railways, air navigation, space, shipping, vehicles, military, medical treatment, combustion and recreation, or equipment in contact with food and beverages, emergency stop circuits, clutch and brake circuits in press applications, safety equipment or other applications unsuitable for the standard specifications described in the product catalog.
3. An application which could have negative effects on people, property, or animals requiring special safety analysis.
4. Use in an interlock circuit, which requires the provision of double interlock for possible failure by using a mechanical protective function, and periodical checks to confirm proper operation.

Caution

1. The product is provided for use in manufacturing industries.

The product herein described is basically provided for peaceful use in manufacturing industries.
 If considering using the product in other industries, consult SMC beforehand and exchange specifications or a contract if necessary.
 If anything is unclear, contact your nearest sales branch.

Limited warranty and Disclaimer/ Compliance Requirements

The product used is subject to the following “Limited warranty and Disclaimer” and “Compliance Requirements”.

Read and accept them before using the product.

Limited warranty and Disclaimer

1. The warranty period of the product is 1 year in service or 1.5 years after the product is delivered, whichever is first.*2)
 Also, the product may have specified durability, running distance or replacement parts. Please consult your nearest sales branch.
2. For any failure or damage reported within the warranty period which is clearly our responsibility, a replacement product or necessary parts will be provided.
 This limited warranty applies only to our product independently, and not to any other damage incurred due to the failure of the product.
3. Prior to using SMC products, please read and understand the warranty terms and disclaimers noted in the specified catalog for the particular products.

*2) Vacuum pads are excluded from this 1 year warranty.

A vacuum pad is a consumable part, so it is warranted for a year after it is delivered.
 Also, even within the warranty period, the wear of a product due to the use of the vacuum pad or failure due to the deterioration of rubber material are not covered by the limited warranty.

Compliance Requirements

1. The use of SMC products with production equipment for the manufacture of weapons of mass destruction (WMD) or any other weapon is strictly prohibited.
2. The exports of SMC products or technology from one country to another are governed by the relevant security laws and regulations of the countries involved in the transaction. Prior to the shipment of a SMC product to another country, assure that all local rules governing that export are known and followed.


Caution

SMC products are not intended for use as instruments for legal metrology.

Measurement instruments that SMC manufactures or sells have not been qualified by type approval tests relevant to the metrology (measurement) laws of each country. Therefore, SMC products cannot be used for business or certification ordained by the metrology (measurement) laws of each country.

Revision History

| | | |
|------------------|---|----|
| Edition B | * The JSXD and JSXM have been added. * Brass and aluminum body materials have been added. * An M12 connector electrical entry option has been added. * The number of pages has been increased from 24 to 56. | ZV |
| Edition C | * JSX□□U and JSXZ types have been added. * The number of pages has been increased from 56 to 72. | AX |

 **Safety Instructions** Be sure to read the “Handling Precautions for SMC Products” (M-E03-3) and “Operation Manual” before use.

SMC Corporation

Akihabara UDX 15F,
 4-14-1, Sotokanda, Chiyoda-ku, Tokyo 101-0021, JAPAN
 Phone: 03-5207-8249 Fax: 03-5298-5362
<https://www.smcworld.com>
 © 2022 SMC Corporation All Rights Reserved

Specifications are subject to change without prior notice and any obligation on the part of the manufacturer.