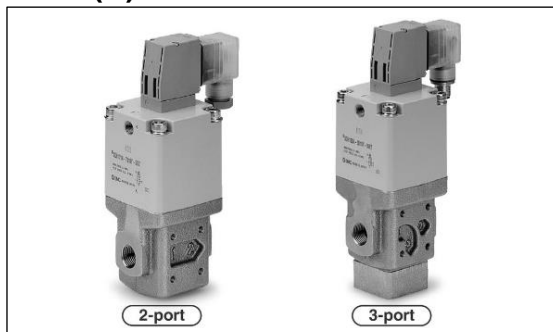




Instruction Manual
Coolant Valve
Series SGH(A)



The intended use of this product is for the control of the supply of coolant.

1 Safety Instructions

These safety instructions are intended to prevent hazardous situations and/or equipment damage. These instructions indicate the level of potential hazard with the labels of "Caution," "Warning" or "Danger." They are all important notes for safety and must be followed in addition to International Standards (ISO/IEC^{*)}, and other safety regulations.

- ^{*)} ISO 4414: Pneumatic fluid power - General rules relating to systems.
- ISO 4413: Hydraulic fluid power - General rules relating to systems.
- IEC 60204-1: Safety of machinery - Electrical equipment of machines. (Part 1: General requirements)
- ISO 10218-1: Robots and robotic devices - Safety requirements for industrial robots - Part 1: Robots.

- Refer to product catalogue, Operation Manual and Handling Precautions for SMC Products for additional information.
- Keep this manual in a safe place for future reference.

Caution	Caution indicates a hazard with a low level of risk which, if not avoided, could result in minor or moderate injury.
Warning	Warning indicates a hazard with a medium level of risk which, if not avoided, could result in death or serious injury.
Danger	Danger indicates a hazard with a high level of risk which, if not avoided, will result in death or serious injury.

Warning

- Always ensure compliance with relevant safety laws and standards.
- All work must be carried out in a safe manner by a qualified person in compliance with applicable national regulations.
- If this equipment is used in a manner not specified by the manufacturer, the protection provided by the equipment may be impaired.

Caution

- The product is provided for use in manufacturing industries only. Do not use in residential premises.

2 Specifications

2.1 Valve specifications

Valve	SGH(A)-30	SGH(A)-70	SGH(A)-100	SGH(A)-140
Type	3-port	N.C., N.O., 3-port		N.C.
Fluid	Coolant			
Pilot fluid	Air			
Proof Pressure [MPa]	4.5	10.5	15	21
Operating pressure [MPa]	0 to 3	0 to 7	0 to 10	0 to 14
Pilot pressure [MPa]	0.25 to 0.7			0.35 to 0.7
Fluid temperature [°C]	-10 to 60 (no freezing)			
Ambient temperature [°C]	-10 to 50 (no freezing)			
Flow characteristics	Refer to catalogue			
Leakage [cm ³ /min]	20 or less			
Response time [ms] ^{Note 1)}	Contact SMC			
Duty cycle	Contact SMC			
Min. operating frequency	Once every 30 days			

2 Specifications - continued

Max. operating frequency [Hz]	Contact SMC
Manual override	Non locking push type, Push-turn locking slotted type
Lubrication	Not required
Impact/Vibration resistance [m/s ²] ^{Note 2)}	150/30
Mounting orientation	Restricted (refer section 3.7)
Wetted parts	Cast iron, stainless steel,
Weight	Refer to catalogue

Table 1.

Note 1) Depends on pressure and piping conditions
 Note 2) Impact resistance: No malfunction occurred when it was tested with a drop tester in the axial direction and at right angles to the main valve and armature; in both energized and de-energized states and for every time in each condition. (Values quoted are for a new valve)
 Vibration resistance: No malfunction occurred in a one-sweep test between 45 and 2000 Hz. Tests are performed at both energized and de-energized states in the axial direction and at right angles to the main valve and armature. (Values quoted are for a new valve).

2.2 Pilot valve specifications

Valve	V116-##-1	
Rated voltage [V]	DC	12, 24
	AC	100, 110(115), 200, 220(230)
Electrical entry	Conduit terminal, DIN Connector, M12	
Coil insulation class	Class B	
Allowable voltage	±10% of rated voltage	
fluctuation	12 & 24 VDC	
	100, 110, 200, 220 VAC	
	115, 230 VAC	-15% to 5% of rated voltage
Power consumption [W]	DC	0.35 (with indicator light 0.58)
	100 V	0.78 (with indicator light 0.87)
	110 V	0.86 (with indicator light 0.97)
	115 V	0.94 (with indicator light 1.07)
	200 V	1.15 (with indicator light 1.30)
	220 V	1.27 (with indicator light 1.46)
	230 V	1.39 (with indicator light 1.60)
Surge voltage suppressor	ZNR (Varistor)	
Indicator light	LED (Neon bulb when AC with DIN terminal and M12 connector)	
Enclosure (based on IEC60529)	IP65	

Table 2.

Valve	DIN terminal	VO307(Y)-#D#1-X409-Q	
	DIN terminal without connector	VO307(Y)-#DO#1-Q	
	M12 connector	VO307(Y)-#D#1-#-X408-Q	
Electrical entry	DIN Connector, M12		
Rated voltage [V]	DC	12, 24	
	AC (50/60 Hz)	100, 110, 200, 220	
Coil insulation class	Class B		
Allowable voltage fluctuation	-15 to 10% of rated voltage		
Power consumption [W]	DC	1.8 (With indicator light: 2)	
Apparent power [VA]	AC	Inrush	12.7 (50Hz), 10.7 (60Hz)
		Holding	7.6 (50Hz), 5.4 (60Hz)
Surge voltage suppressor	DC	Diode	
	AC (50/60Hz)	Varistor	
Indicator light	LED		
Enclosure (based on IEC60529)	IP50		

Table 3.

2.3 Symbols

Refer to catalogue for pneumatic symbols.

2.4 Special products

Warning

Special products (-X) might have specifications different from those shown in this section. Contact SMC for specific drawings.

2.5 Indicator light

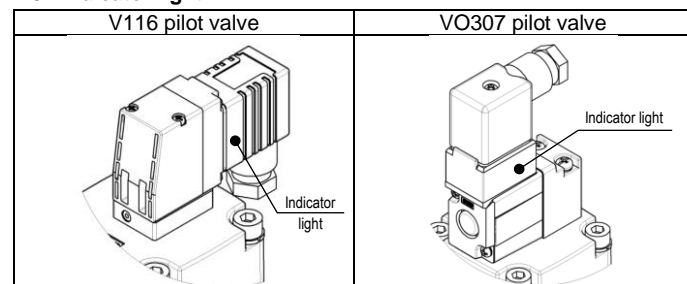


Figure 1.

3 Installation

3.1 Installation

Warning

- Do not install the product unless the safety instructions have been read and understood.

3.2 Environment

Warning

- Do not use in an environment where corrosive gases, chemicals, salt water or steam are present.
- Do not use in an explosive atmosphere.
- Do not expose to direct sunlight. Use a suitable protective cover.
- Do not install in a location subject to vibration or impact in excess of the product's specifications.
- Do not mount in a location exposed to radiant heat that would result in temperatures in excess of the product's specifications.
- Products compliant with IP65 enclosures are protected against dust and water, however, these products cannot be used in water.
- Products compliant with IP65 enclosures satisfy the specifications by mounting each product properly. Be sure to read the Specific Product Precautions for each product.

3.3 Piping

Caution

- Before connecting piping make sure to clean up chips, cutting oil, dust etc.
- When installing piping or fittings, ensure sealant material does not enter inside the port. When using seal tape, leave 1.5 to 2 threads exposed on the end of the pipe/fitting.
- Tighten fittings to the specified tightening torque.

Connection threads (Rc, G, NPT, NPTF)	Proper tightening torque [N·m]
1/8	7 to 9
3/8	22 to 24
1/2	28 to 30
3/4	36 to 38

Table 4.

3.4 Lubrication

Caution

- SMC products have been lubricated for life at manufacture, and do not require lubrication in service.
- If a lubricant is used in the system, refer to catalogue for details.

3.5 Fluid supply

Valve is designed for use with coolant only. Do not use with water. The wetted parts are cast iron and will rust if used with improper fluids.

3.6 Pilot air supply

Warning

- Use clean air. If the compressed air supply includes chemicals, synthetic materials (including organic solvents), salinity, corrosive gas etc., it can lead to damage or malfunction.

Caution

- Install an air filter upstream of the valve. Select an air filter with a filtration size of 5 µm or smaller.

3.7 Mounting

Warning

Do not mount the coil downwards. When mounting a valve with its coil positioned downwards, foreign objects in the fluid will adhere to the iron core leading to a malfunction.

3 Installation - continued

3.7.1 Bracket mounting

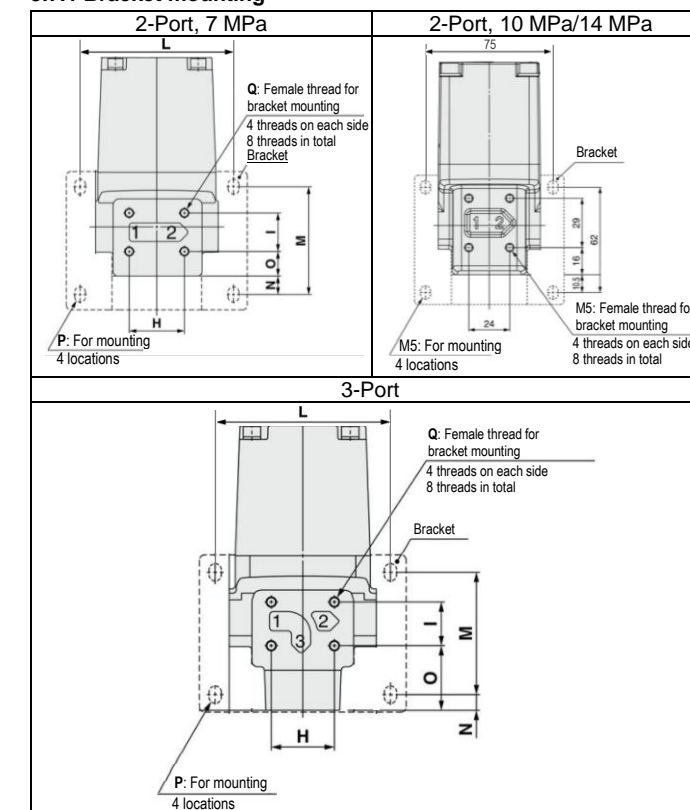


Figure 2.

Note) Refer to catalogue for dimensions I, H, L, M, N, O and P.

3.8 Manual override

Warning

- Regardless of an electric signal for the valve, the manual override is used for switching the main valve. Since connected equipment will operate when the manual override is activated, confirm that conditions are safe prior to activation.
- Locked manual overrides might prevent the valve responding to being electrically de-energized or cause unexpected movement in the equipment.
- Refer to the catalogue for details of manual override operation.

3.9 Light/surge voltage suppressor

Caution

Surge suppression should be specified by using the appropriate part number. If a valve type without suppression (Type 'Nil') is used, suppression must be provided by the host controller as close as possible to the valve.

3.9.1 V116 pilot valve

Cable type	Voltage type	
	DC	AC
Conduit terminal		
Conduit terminal		
DIN / M12		

3 Installation - continued

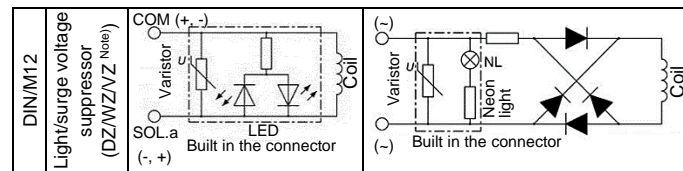


Table 5.

Note) VS and VZ only available for DC type.

3.9.2 VO307 pilot valve

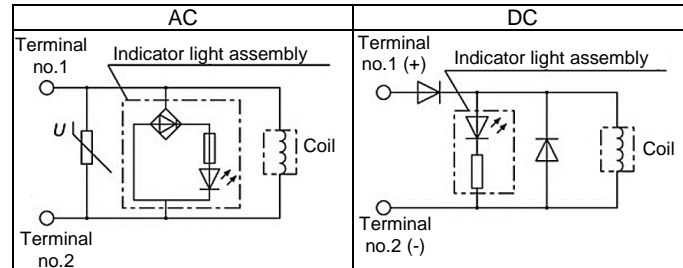


Table 6.

3.10 Electrical connections

3.10.1 V116 pilot valve

Caution

- For conduit and DIN terminals, use cable with O.D. of $\varnothing 4.5$ mm to $\varnothing 7$ mm (reference: 0.5 mm^2 to 1.5 mm^2 , 2 core or 3 core wires equivalent to JIS C 3306).
- Tighten the ground nut and screws within the specified torque range.
- Refer to catalogue for additional details.

3.10.1.1 How to use conduit terminal

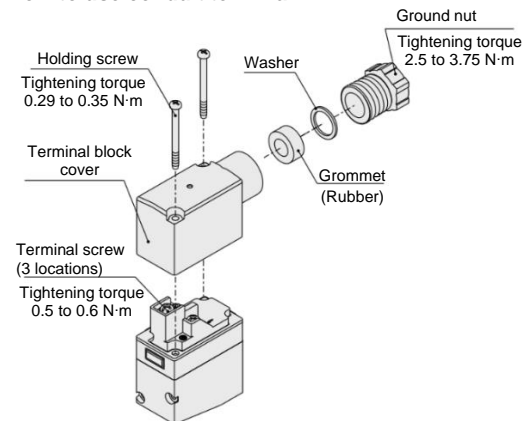


Figure 3.

3.10.1.2 How to use DIN terminal

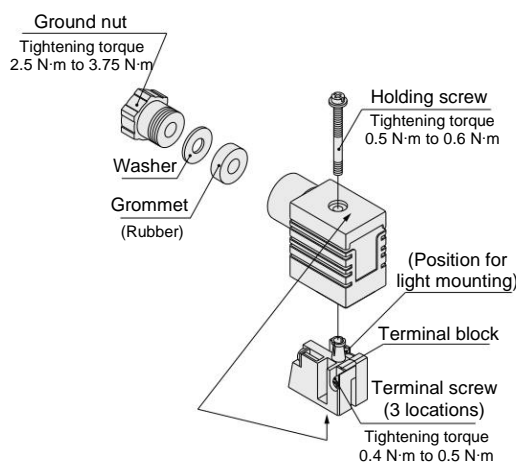


Figure 4.

3 Installation - continued

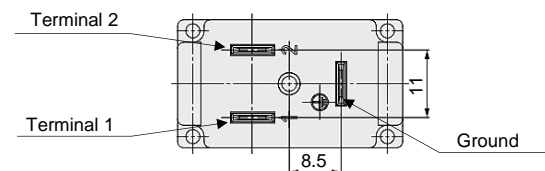


Figure 5.

3.10.1.3 Circuit diagram with light/surge voltage suppressor

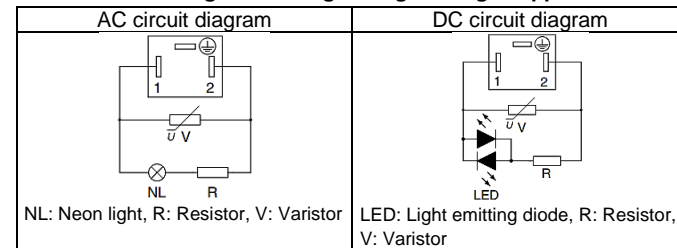


Figure 6.

3.10.1.4 M12 connector

Caution

- Do not use a tool to mount the connector, as this may cause damage. Only tighten by hand (recommended tightening torque: 0.4 to 0.6 N·m)
- The excessive stress on the cable connector will not be able to satisfy the IP65 rating. Please use caution and do not apply a stress of 30 N or greater.

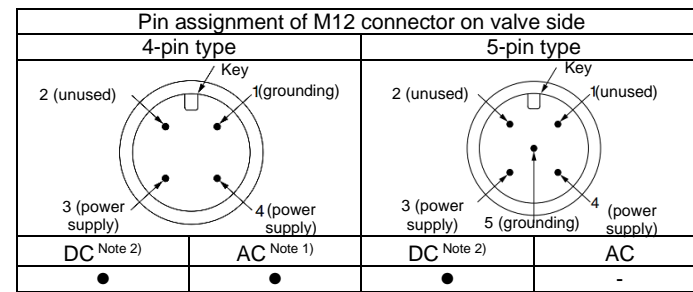


Table 7.

Note 1) For AC, a surge voltage suppressor or light/surge voltage suppressor can be selected.

Note 2) About DC specifications
 0.35 W type (Pilot valve V116) has no polarity.
 1.8 W type (Pilot valve VO307) has polarity, pin no. 3(-) and pin no. 4(+).

3.10.2 VO307 pilot valve

3.10.2.1 How to use DIN terminal

- Use cable with O.D. of $\varnothing 6$ mm to $\varnothing 8$ mm.
- Tighten screws within the specified torque range.
- Refer to catalogue for additional details.

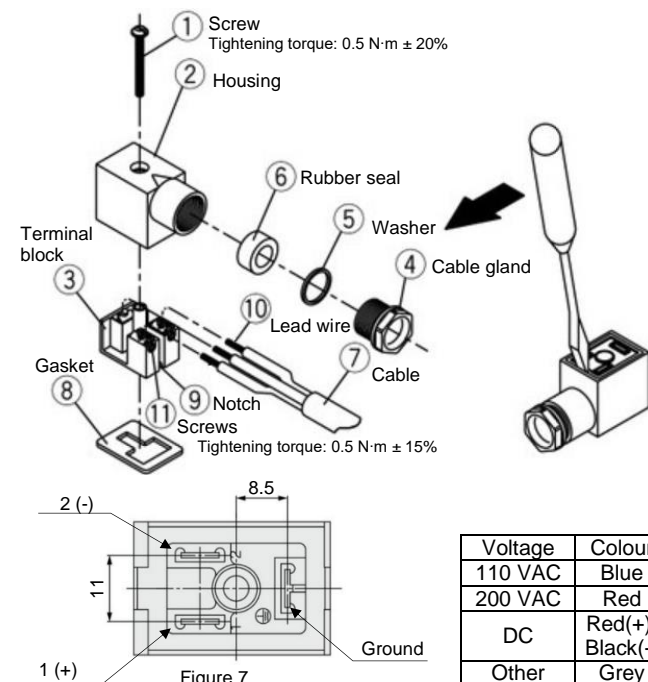


Figure 7.

Voltage	Colour
110 VAC	Blue
200 VAC	Red
DC	Red(+), Black(-)
Other	Grey

3 Installation - continued

3.11 Residual voltage

Caution

- If a Zener diode or varistor voltage suppressor is used, the suppressor arrests the back EMF voltage from the coil to a level in proportion to the rated voltage.
- Ensure the transient voltage is within the specification of the host controller.
- Contact SMC for the Zener diode or varistor residual voltage.
- In the case of a diode, the residual voltage is approximately 1 V.
- Valve response time is dependent on surge suppression method selected.

3.12 Countermeasure for surge voltage

Caution

- At times of sudden interruption of the power supply, the energy stored in a large inductive device may cause non-polar type valves in a de-energised state to switch.
- When installing a breaker circuit to isolate the power, consider a valve with polarity (with polarity protection diode), or install a surge absorption diode across the output of the breaker.

3.13 Extended period of continuous energization

Warning

If a valve is continuously energized for long periods of time, heat generation of the coil may result in reduced performance and shorter service life. This may also have an adverse effect on the peripheral equipment in proximity. Should a valve be continuously energized for long periods of time, or its daily energized state exceeds its non-energized state, please use a valve with DC specifications. Additionally, when using with AC, energizing for long periods of time continuously, select the air operated valve and use the continuous duty type of the VT307 for a pilot valve.

4 How to Order

Refer to catalogue for 'How to Order' or to product drawing for special products.

5 Outline Dimensions

Refer to catalogue for outline dimensions.

6 Maintenance

6.1 General maintenance

Caution

- Not following proper maintenance procedures could cause the product to malfunction and lead to equipment damage.
- If handled improperly, compressed air can be dangerous.
- Maintenance of pneumatic systems should be performed only by qualified personnel.
- Before performing maintenance, turn off the power supply and be sure to cut off the supply pressure. Confirm that the air is released to atmosphere.
- After installation and maintenance, apply operating pressure and power to the equipment and perform appropriate functional and leakage tests to make sure the equipment is installed correctly.
- If any electrical connections are disturbed during maintenance, ensure they are reconnected correctly and safety checks are carried out as required to ensure continued compliance with applicable national regulations.
- Do not make any modification to the product.
- Do not disassemble the product, unless required by installation or maintenance instructions.
- In the case of long term storage, thoroughly remove all moisture to prevent rust and deterioration of rubber materials, etc.

Warning

- Do not disassemble the product. The safety of products which have been disassembled cannot be guaranteed. In particular, the C type retaining ring inside the cover of the N.C. type valve and the bolt on the cover of the 3-port dual pressure specification must not be removed. Removal may result in the cover, piston, or spring popping out, which may result in an accident. Never remove the C type retaining ring or the bolt.
- Although the product has a scraper to prevent foreign matter from entering into the product, fluid containing fine foreign matter such as abrasive powder may cause sealing failure by the foreign matter adhering to the rod sliding part. Perform periodic maintenance or take countermeasures. Sealing failure of the rod sliding surface will allow reverse flow of the fluid in the pilot air piping, entering into the pilot

6 Maintenance - continued

valve or circuit connected to the pilot air piping, causing adverse effects such as operation failure or leakage.

6.2 Replacement parts

Caution

- Ensure gaskets are in good condition, not deformed and are dust and debris free.
- Refer to catalogue for replacement parts.

7 Limitations of Use

7.1 Limited warranty and disclaimer/compliance requirements

Refer to Handling Precautions for SMC Products.

Warning

7.2 Low temperature operation

- The valve can be used in an ambient temperature down to -10°C . However, take measures to prevent freezing or solidification of impurities, etc.
- When using valves for water application in cold climates, take appropriate countermeasures to prevent the water from freezing in tubing after cutting the water supply from the pump, by draining the water, etc. When using a heater, avoid heating the coil. A high dew point in low ambient temperature or a high flow rate may cause freezing. In such cases, take measures to prevent freezing by, for example, installing an air dryer or keeping the body warm.

7.3 Holding of pressure

Since valves are subject to air leakage, they cannot be used for applications such as holding pressure (including vacuum) in a system.

7.4 Cannot be used as an emergency shut-off valve

This product is not designed for safety applications such as an emergency shut-off valve. If the valves are used in this type of system, other reliable safety assurance measures should be adopted.

7.5 Closed liquid circuit

In a closed circuit, when liquid is static, pressure could rise due to changes in temperature. This pressure rise could cause malfunction and damage to components such as valves. To prevent this, install a relief valve in the system.

7.6 Impact by rapid pressure fluctuation

When an impact caused by the rapid pressure fluctuation, such as water hammer etc., is applied, the solenoid valve may be damaged. Install water hammer relief equipment (accumulator, etc.), or use a SMC water hammer relief valve (e.g. VX series).

7.7 Leakage voltage

Caution

Ensure that any leakage voltage caused by the leakage current when the switching element is OFF causes $\leq 3\%$ (for DC coils), $\leq 8\%$ (for AC coils with V116 pilot valve, 0.35 W type) or $\leq 15\%$ (for AC coils with VO307 pilot valve, 1.8 W type) of the rated voltage across the valve.

8 Product Disposal

This product shall not be disposed of as municipal waste. Check your local regulations and guidelines to dispose this product correctly, in order to reduce the impact on human health and the environment.

9 Contacts

Refer to www.smcworld.com or www.smc.eu for your local distributor/importer.

SMC Corporation

URL: <https://www.smcworld.com> (Global) <https://www.smc.eu> (Europe)
 SMC Corporation, 4-14-1, Sotokanda, Chiyoda-ku, Tokyo 101-0021, Japan
 Specifications are subject to change without prior notice from the manufacturer.
 © 2021 SMC Corporation All Rights Reserved.
 Template DKP50047-F-085M